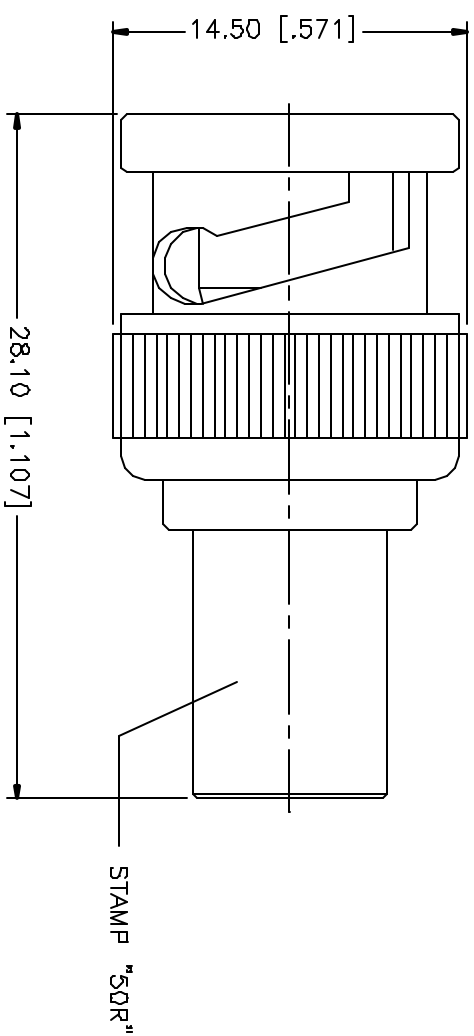


REV.	DATE	DESCRIPTION
A	05/23/05	UPDATE DRAWING FORMAT



NO.	DESCRIPTION	MATERIAL	FINISH	QTY	DD NOT SCALE DRAWING
B					
7					
6					
5					
4					
3	CONTACT PIN	BRASS	GOLD	1	
2	INSULATOR	DELRIN	NATURAL	1	
1	BODY	BRASS	NICKEL	1	
	DESCRIPTION	MATERIAL	FINISH	QTY	

<b>MASS PROPERTY REPORT</b> MASS LISTING AND CENTER OF GRAVITY NEEDS AND FOR DIMENSION REFERENCE ONLY.	
<b>MASS PROPERTY REPORT</b> TOLERANCES FOR MILLING AND D.5 - .01mm ± 0.20mm B - .30mm ± 0.40mm .30 - 120mm ± 0.50mm	<b>MASS PROPERTY REPORT</b> TOLERANCES FOR MACHINING .020 - .315 = ± 0.007" .315 - 1.180 = ± 0.015" 1.180 - 4.724 = ± 0.020"
APPROVALS DRAWN G.R.S. CHECKED ISSUED SHEET 1 OF 1	DATE 05/23/05
<b>Amphenol Connex</b> PART DESCRIPTION <b>BNC TERMINATOR PLUG - 75ohm</b> PART NO. 202105	
DWG. NO. 202105.DWG REV. A SITE A SCALE NA	CAD FILE C:/202/202105.DWG