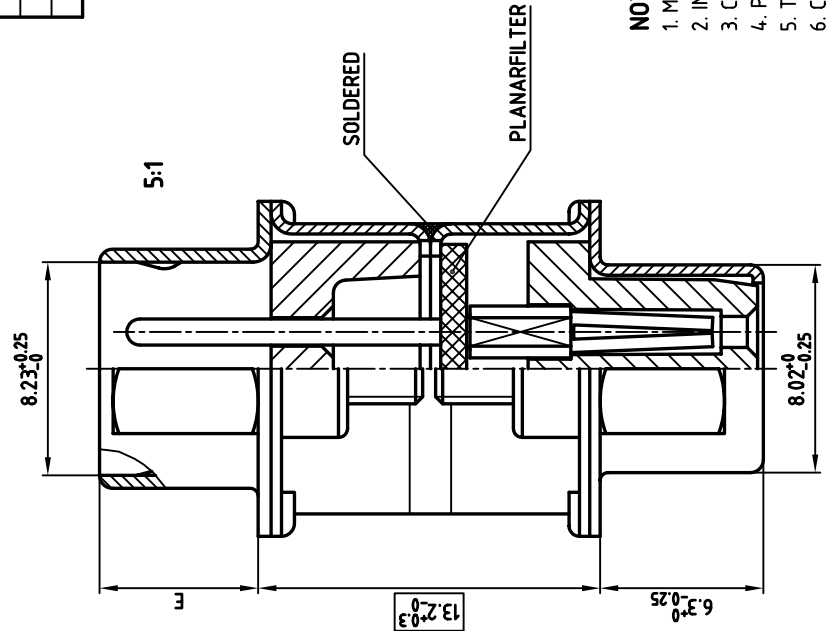
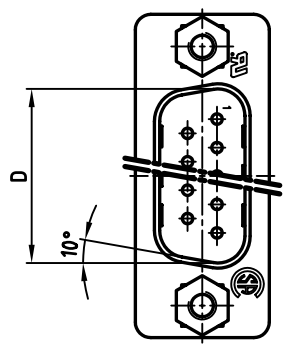
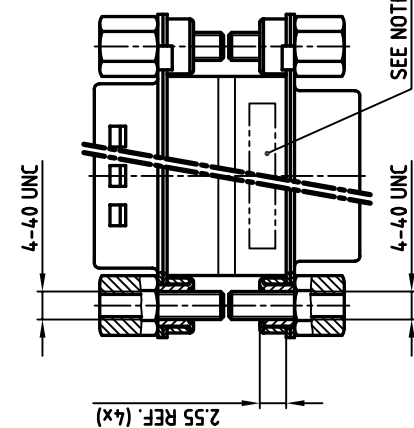
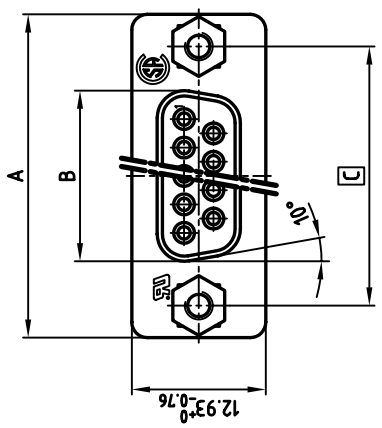


used for: FILTER ADAPTER

POS.	A ^{-0.76}	B ^{-0.25}	C	D ^{+0.25}	E ^{-0.3}	PART NO.
9	31.19	16.46	25.00 ^{-0.13}	16.79	6.12	243A13240X
15	39.52	24.79	33.30 ^{-0.15}	25.12	6.12	243A13250X
25	53.42	38.50	47.04 ^{+0.13}	38.84	5.99	243A13260X
37	69.70	54.96	63.50 ^{+0.13}	55.30	5.99	243A13270X



NOTES:

- METALSHELLS: STEEL; min. 320µ" TIN
- INSULATORS: PBT GF UL 94 V-0, BLACK
- CONTACTS: COPPER ALLOY
- PLATING: min. 8µ" HARD GOLD OVER min. 50µ" NICKEL
- THREADED INSERT: COPPER ALLOY; min. 200µ" TIN over 80µ" NICKEL
- COLLAR: COPPER ALLOY; min. 200µ" TIN over 80µ" NICKEL
- CAPACITANCE: 1300pF ±20%
- DIELECTRIC WITHSTANDING VOLTAGE: 424 VDC
- MAXIMUM TORQUE VALUE FOR THREAD: 6" LBS
- CONNECTOR IS PART MARKED: PART-NO. CONEC Y/A/W
- [] = CRITICAL DIMENSION



DO NOT ALTER CAD DRAWING BY HAND
 OWNERSHIP AND COPYRIGHT OF CONEC GMBH
 WRITTEN PERMISSION
 BE PASSED ON TO A THIRD PARTY WITHOUT
 REPRODUCTION IN ANY WAY, AND MAY NOT
 THIS DRAWING MAY NOT BE COPIED OR

2002	date	name	tolerance	scale:
drawn	21.05.	Pareil	2:1 (5:1)	material:
appd.	21.05.	E. Mickenbecker		SEE NOTES
norm		DIN 41652		title:
6-old				D-FILTER ADAPTER

9-37pos.
with threaded insert

dwg no: AutoCAD 2000 DIN-A 3
sh: 1/1

part no: 24K1A254 SEE TABLE

CONEC