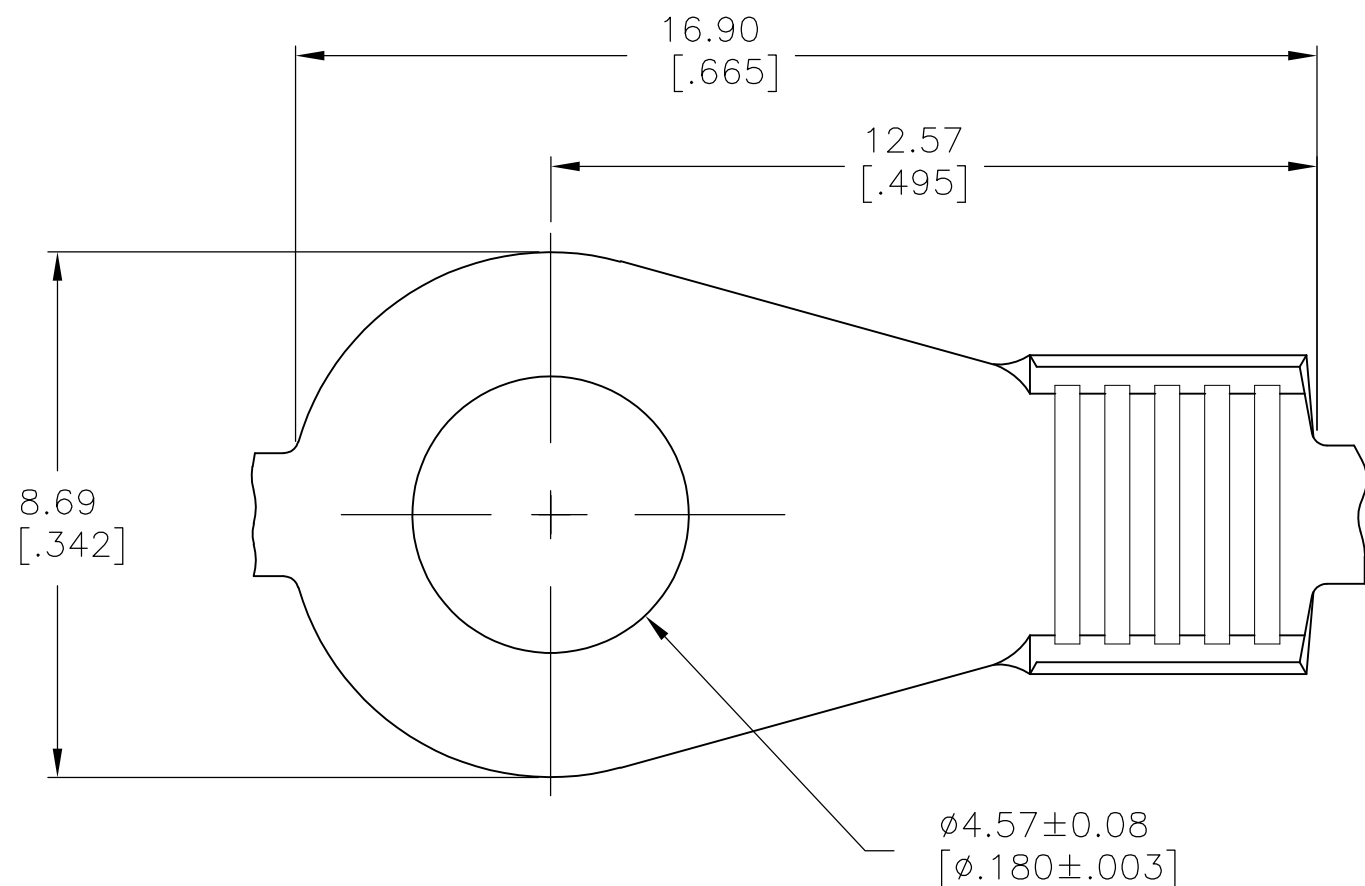
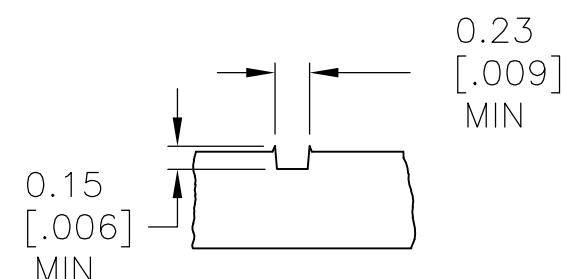


THIS DRAWING IS UNPUBLISHED. RELEASED FOR PUBLICATION
 © COPYRIGHT BY TYCO ELECTRONICS CORPORATION. ALL INTERNATIONAL RIGHTS RESERVED.

LOC	DIST	REVISIONS			
P	LTR	DESCRIPTION	DATE	DWN	APVD
AF	50	A1	REVISED PER ECR-09-001244	03MAR09	HMR JR

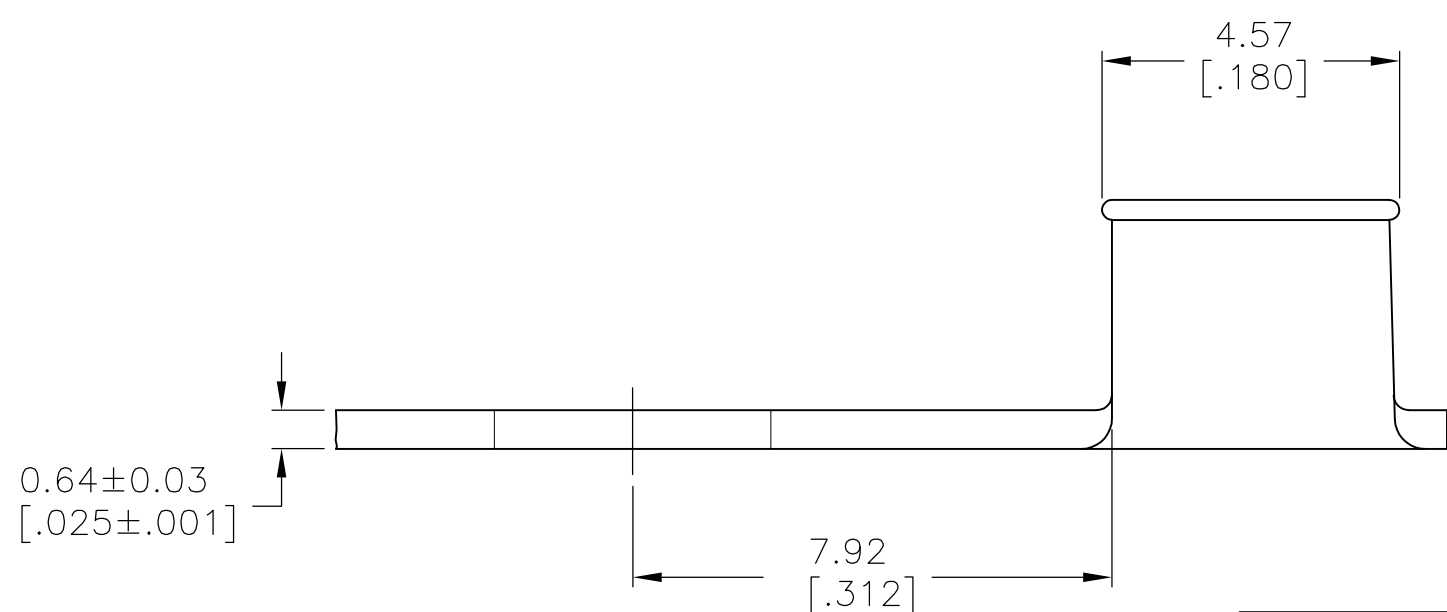


- 1 CONTINUOUS STRIP ON REELS
- 2 WIRE RANGE: 11 - 13



SERRATION DETAIL
SCALE 20:1

APPLIES ONLY AT STRAIGHT PORTION
ON SIDES OF BARREL



350571-1
PART NO

THIS DRAWING IS A CONTROLLED DOCUMENT.		DWN RAGHAVENDRA 03MAR09	Tyco Electronics Corporation Harrisburg, PA 17105-3608	
DIMENSIONS: mm [INCHES]		CHK JEFF RUTH 03MAR09	NAME	
TOLERANCES UNLESS OTHERWISE SPECIFIED:		APVD DON DECKER 03MAR09	RING AMPLIVAR	
0 PLC ± -		PRODUCT SPEC	SIZE CAGE CODE DRAWING NO RESTRICTED TO	
1 PLC ± -		APPLICATION SPEC	A3 00779 C-350571	
2 PLC ± -		WEIGHT -	SCALE 8:1 SHEET 1 OF 1 REV A1	
3 PLC ± 0.38 [.015]		CUSTOMER DRAWING		
4 PLC ± -				
ANGLES ± 1° 0'				
MATERIAL BRASS	FINISH TIN			