

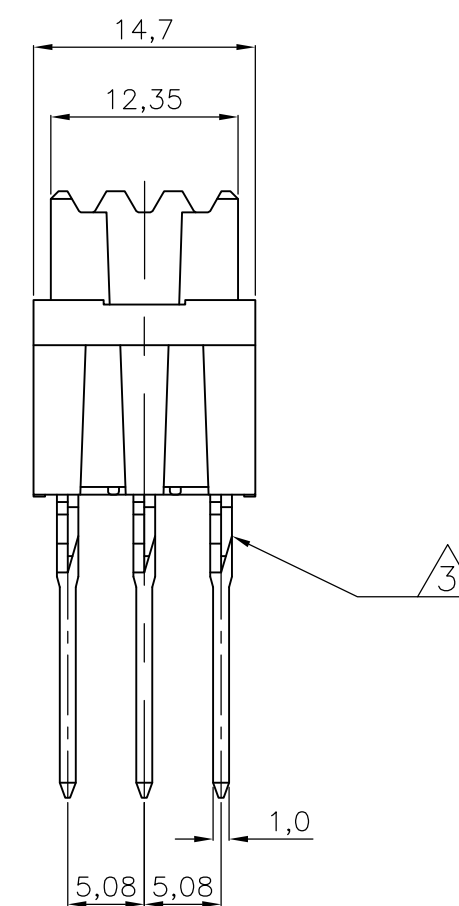
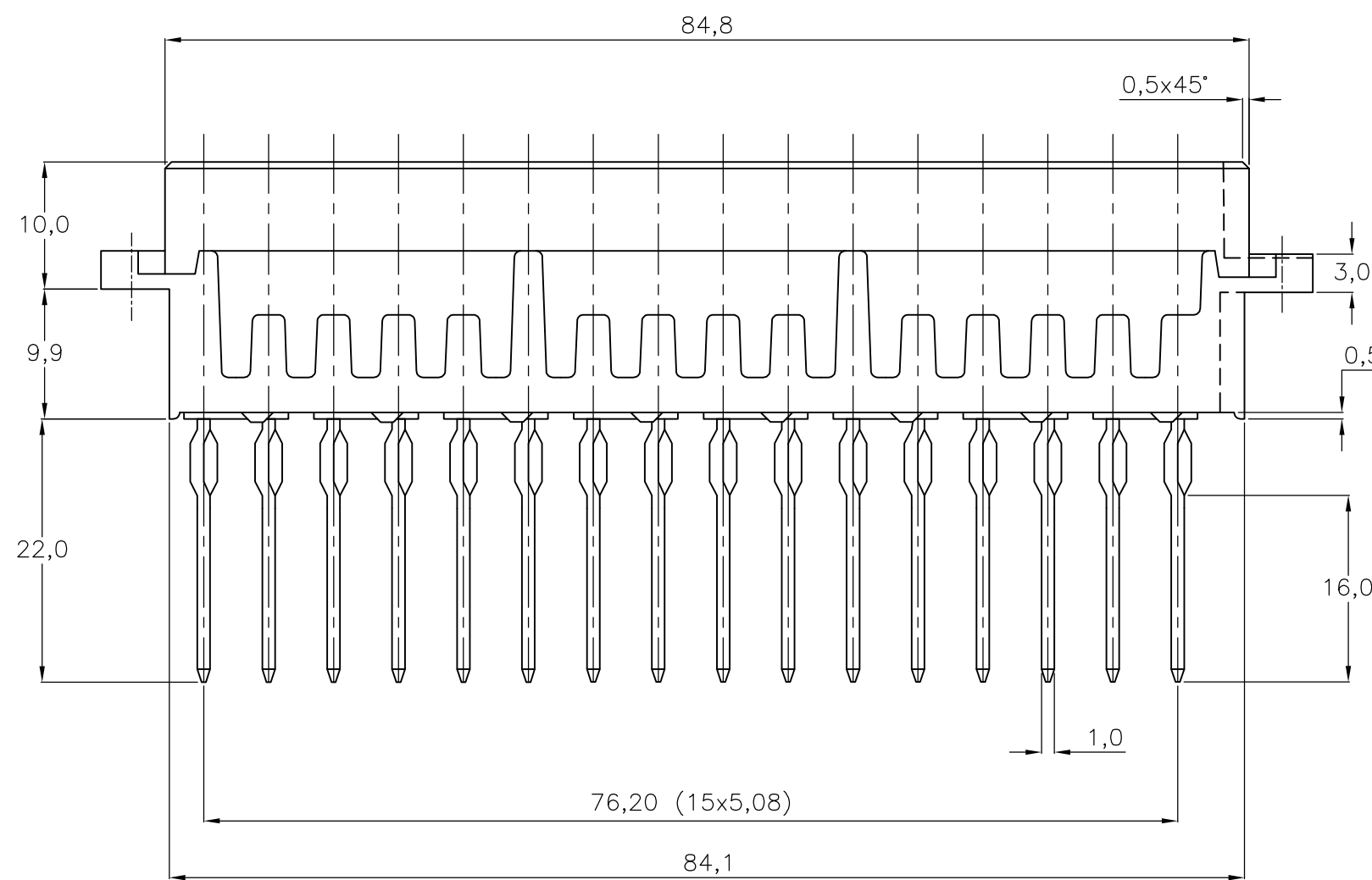
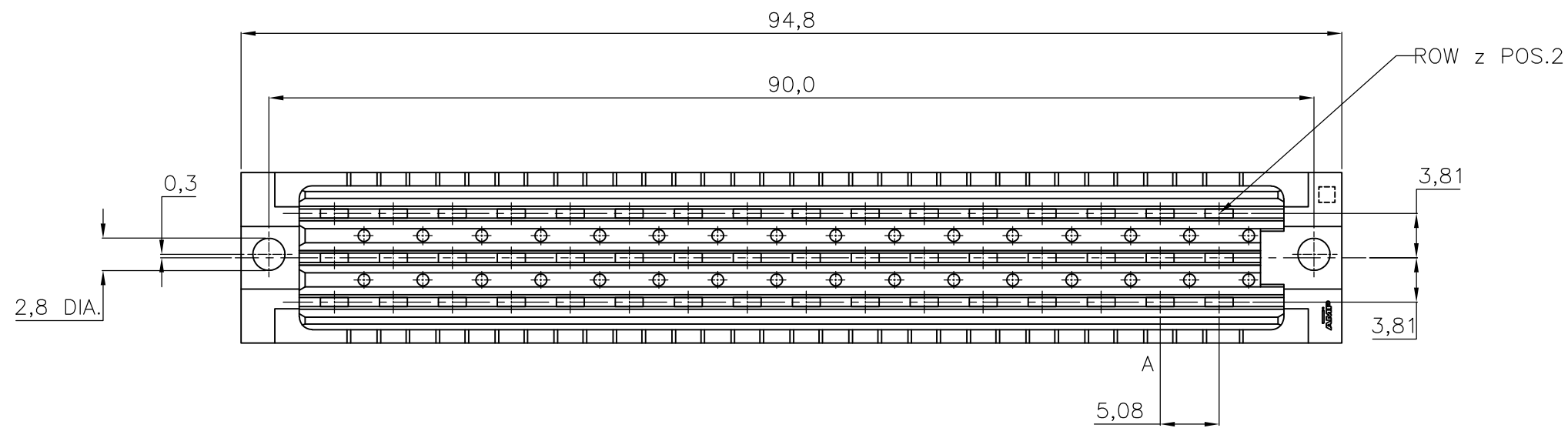
THIS DRAWING IS UNPUBLISHED. RELEASED FOR PUBLICATION
 © COPYRIGHT BY TYCO ELECTRONICS CORPORATION. ALL INTERNATIONAL RIGHTS RESERVED.

LOC	DIST	REVISIONS					
		P	LTR	DESCRIPTION	DATE	DWN	APVD
H	-	G		EH-1256-96	01-07-97	J.G	-
		H		ECR-07-020965	22-08-08	AEG	MKO

NOTES:

- 1 MATERIAL:
 -HOUSING: G.F. THERMOPL. POLYESTER 94-V0.
 COLOUR: GREY
 -CONTACTS: PHOSHORBRONZE
- 2 PLATING CONTACT:
 -1: 1,25µm Au OVER 1,25µm Ni AT CONTACT AREA,
 REMAINDER 2,0µm Sn OVER 1,25µm Ni.
 -4: SAME AS -1 ONLY 0,8µm Au AT CONTACT AREA.
 -7: SAME AS -1 ONLY 2,0µm Au AT CONTACT AREA.
 -8: SAME AS -1 ONLY 0,4µm Au AT CONTACT AREA.
- 3 FOR P.C.B.-THICKNESS 2,4-3,2.

P.C.B. HOLE DIM. ACTION PIN	
DRILLED HOLE	: 1,75 ± 0,025 mm
FIN. HOLE	: 1,54 to 1,69 mm
AFTER REFLOW	: 1,51 to 1,69 mm
Cu-thks	: 0,025 to 0,075 mm
SnPb-thks	: 0,004 to 0,010 mm



ROW	z	b	d																
P	O	S		32	30	28	26	24	22	20	18	16	14	12	10	8	6	4	2

AN ASTERISK „X” DENOTES A CONTACT.

OBSELETE	SEE NOTE	SEE NOTE	166555-8
			166555-7
OBSELETE	2	1	166555-4
			166555-1
	FINISH	MATERIAL	PARTNUMBER

THIS DRAWING IS A CONTROLLED DOCUMENT.		DWN	18JAN91	Tyco Electronics Corporation	
		CHK	07JUL97	's-Hertogenbosch, Nederland	
		APVD	-	NAME	
DIMENSIONS: mm		TOLERANCES UNLESS OTHERWISE SPECIFIED:		PRODUCT SPEC	
		0 PLC ± -		APPLICATION SPEC	
		1 PLC ± -		WEIGHT	
		2 PLC ± -		SIZE	
		3 PLC ± -		CAGE CODE	
		4 PLC ± -		DRAWING NO	
		ANGLES ± -		RESTRICTED TO	
MATERIAL		FINISH		SCALE	
				SHEET	
				1 of 1	
				REV	
				H	

Customer Drawing: A2 00779 C=166555

Product: 3x16 POS. TYPE F FEMALE W.W. ACTION-PIN CONNECTOR PER DIN 41612