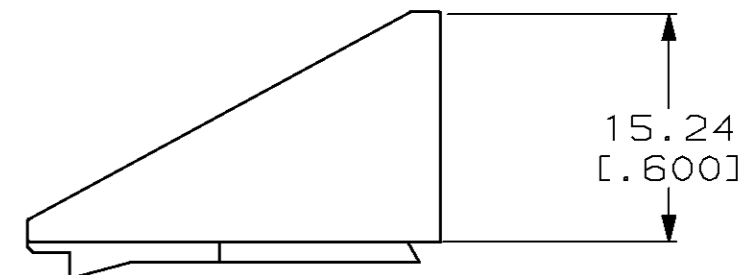
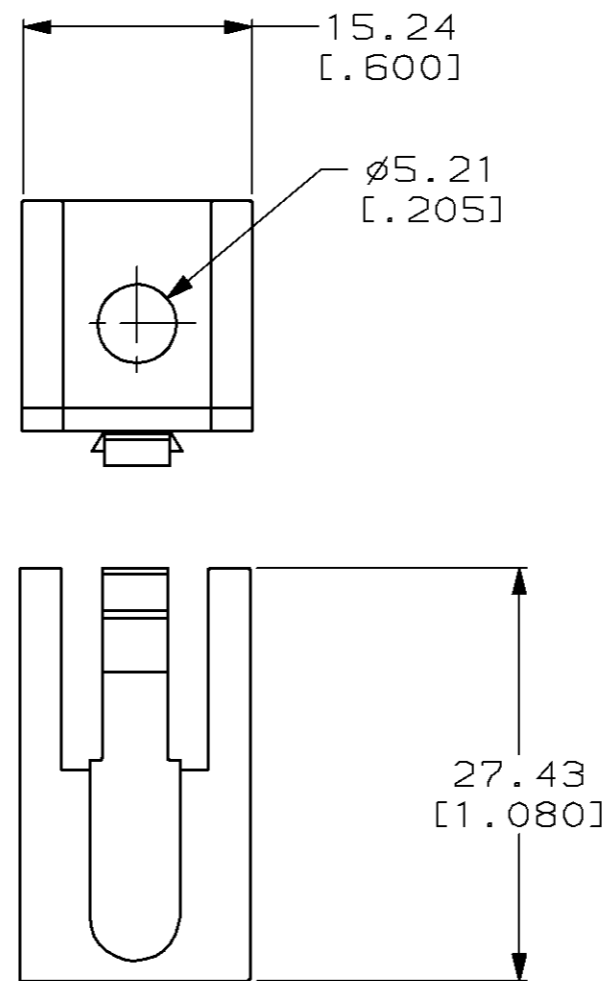
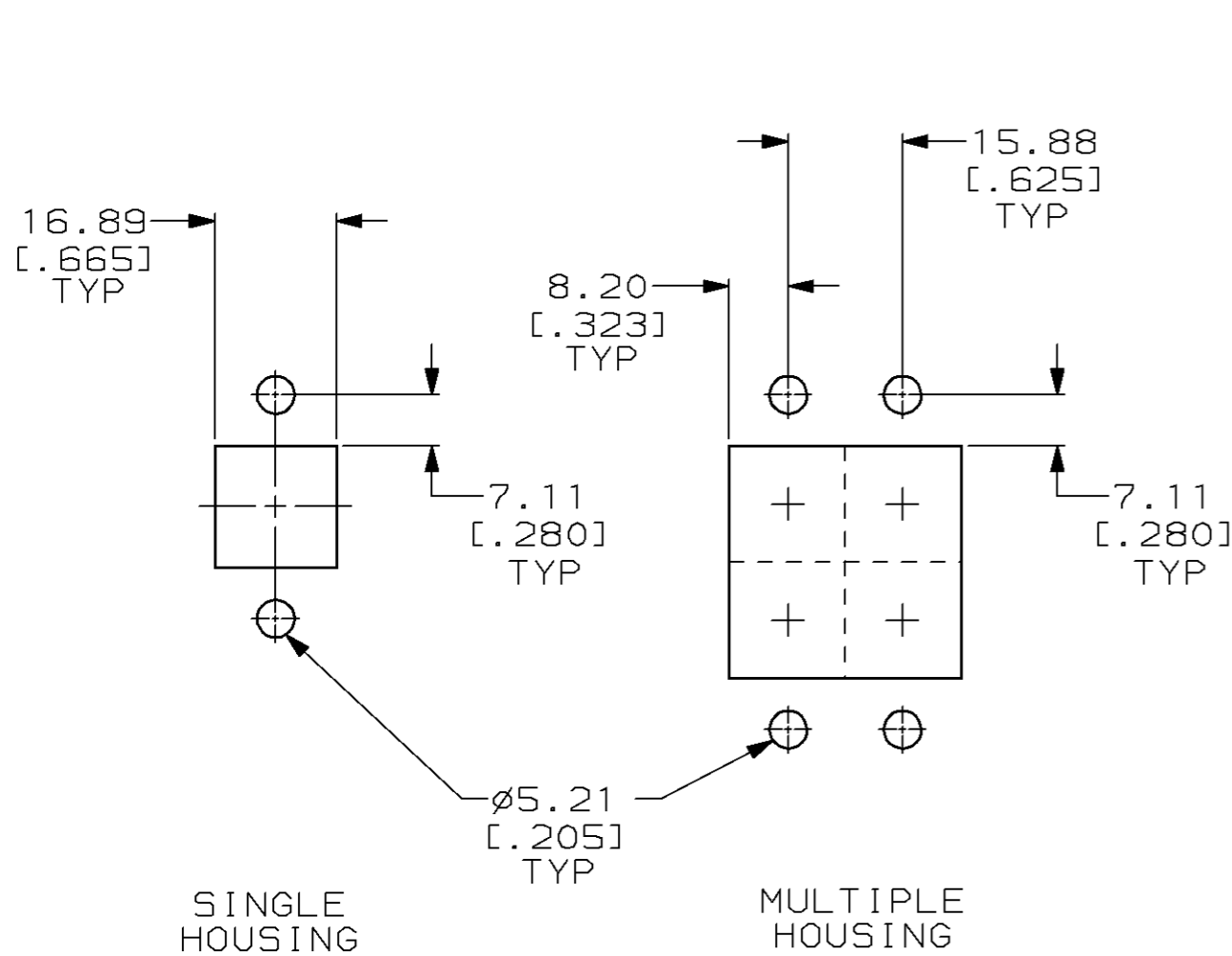


THIS DRAWING IS UNPUBLISHED. RELEASED FOR PUBLICATION, 19 .  
 © COPYRIGHT 19 BY AMP INCORPORATED. ALL RIGHTS RESERVED.

LOC	DIST	REVISIONS			
P	LTR	DESCRIPTION	DATE	DWN	APVD
FT	60				
		D	REDRAWN AND REV PER EC 0320-74-97	07 APR 97	-



RECOMMENDED PANEL CUTOUT  
SCALE 1:1

- MUST BE USED WITH FEMALE MOUNTING ADAPTER 53886-1.
- ONE EACH MINIMUM OF THE MALE & FEMALE MOUNTING ADAPTERS ARE RECOMMENDED FOR ATTACHING SINGLE AND MULTIPLE HOUSINGS.
- MALE MOUNTING ADAPTER TO BE USED WITH CONNECTOR 53884.

53887-1  
PART NUMBER

THIS DRAWING IS A CONTROLLED DOCUMENT.		DWN M. BINNER 07 APR 97	<b>AMP</b> AMP Incorporated Harrisburg, PA 17105-3608	
DIMENSIONS: mm [INCHES]		CHK R. STONE 24 APR 97		
TOLERANCES UNLESS OTHERWISE SPECIFIED:		APVD M. MCALONIS 22 MAY 97	NAME MOUNTING ADAPTER, MALE, SERIES 2, POWER LOCK	
0 PLC ±-		PRODUCT SPEC 108-11043	SIZE	
1 PLC ±-		APPLICATION SPEC 114-6032	CAGE CODE	DRAWING NO
2 PLC ±0.25 [.010]		WEIGHT	A300779	C-53887
3 PLC ±-		MATERIAL POLYCARBONATE, BLUE	RESTRICTED TO	
4 PLC ±-			-	
ANGLES ±-		CUSTOMER DRAWING		SCALE 2:1
FINISH -		SHEET 1 OF 1		REV D