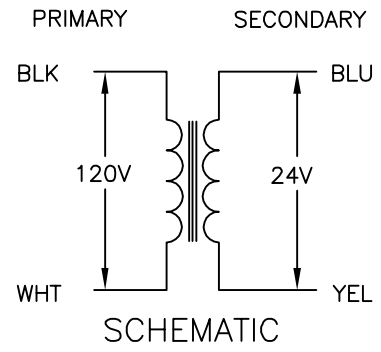
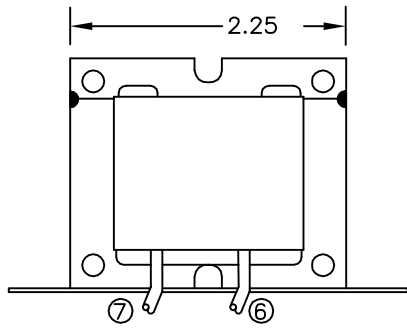
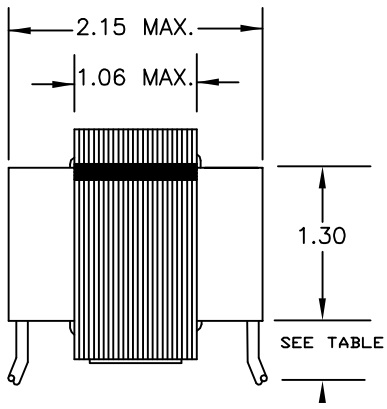
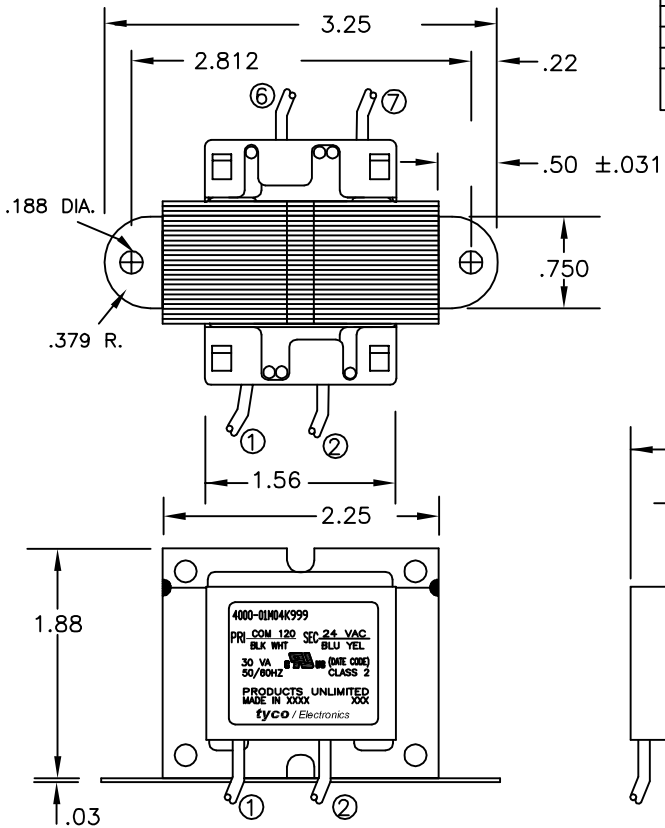


THIS DRAWING IS UNPUBLISHED. RELEASED FOR PUBLICATION
 © COPYRIGHT - BY TYCO ELECTRONICS CORPORATION. ALL RIGHTS RESERVED.

LOC	DIST	REVISIONS					
GZ	00	P	LTR	DESCRIPTION	DATE	DWN	APVD
		A		NEWFORMAT & EC0720-0089-04	13FEB04	MD	KH

ALL LEADS 18AWG--UNLESS OTHERWISE SPECIFIED						NOTES 1. DIMENSIONS FOR REFERENCE ONLY. 2. ALL LEADS +1"/-0" TOL. 3. STRIP TOL. ±1/32 4. WINDING PROTECTION--INHERENTLY LIMITING				CERTIFICATION: UL & CUL FILE NO. E87824			
PRIMARY						SECONDARY							
LEAD NO.	1	2	3	4	5	LEAD NO.	6	7	8	9			
VOLTAGE	COM	120				VOLTAGE	24	VAC					
COLOR	BLK	WHT				COLOR	BLU	YEL					
LENGTH	12.0	12.0				LENGTH	12.0	12.0					
STRIP LENGTH	.50	.50				STRIP LENGTH	.50	.50					



THIS DRAWING IS A CONTROLLED DOCUMENT.		DWN	M.DAVIS	13FEB04	CUST. NO. -			TYCO PART NUMBER 1-1611450-4					
DIMENSIONS: INCHES		CHK	K.HOLSCHUH	13FEB04				Tyco Electronics Corporation Harrisburg, Pa 17105-3608					
TOLERANCES UNLESS OTHERWISE SPECIFIED:		APVD	K.HOLSCHUH	13FEB04	NAME			TRANSFORMER OUTLINE					
0 PLC ± - 1 PLC ± - 2 PLC ± - 3 PLC ± - 4 PLC ± - ANGLES ± -		APPLICATION SPEC				RESTRICTED TO							
MATERIAL -		WEIGHT	-			SIZE	A3	CAGE CODE	00779	DRAWING NO	C=4000-01M04K999		
FINISH -		CUSTOMER DRAWING			SCALE	NTS		SHEET	1 OF 1		REV	A	