

1

2

3

4

5

6

7

A

B

C

D

E

F

G

H

A

B

C

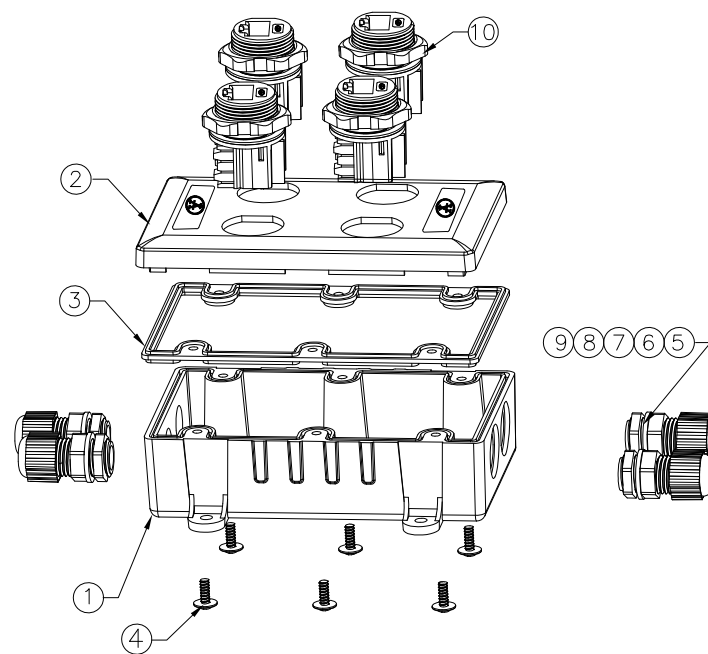
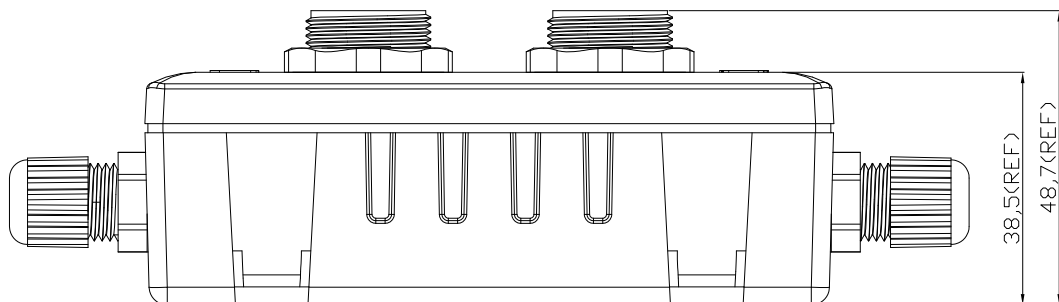
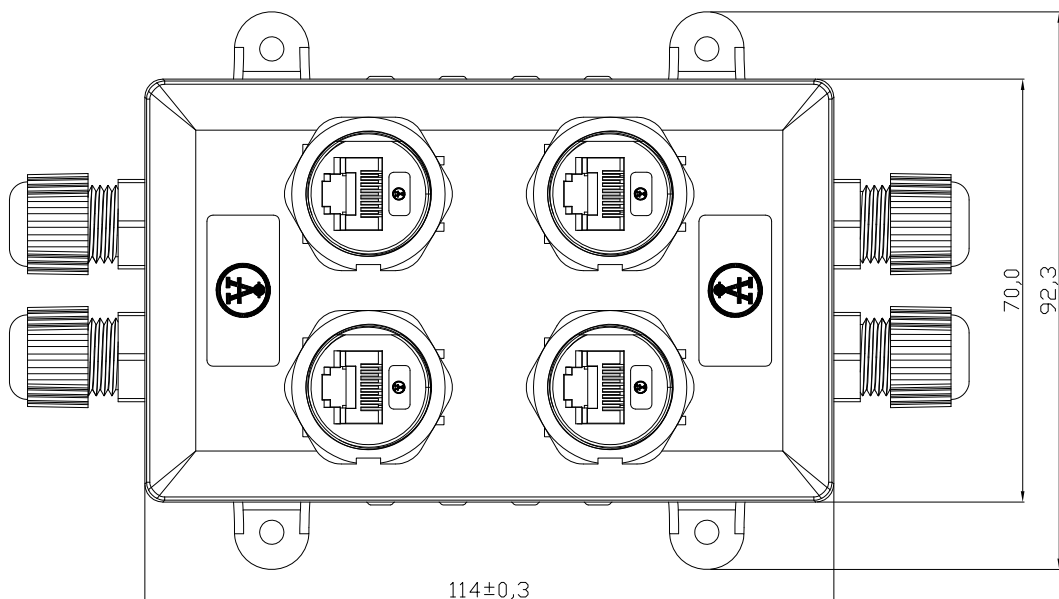
D

E

F

G

H

**NOTES:**

Waterproof Rate: IP67
Cover: Black, ABS 94V-0

RoHS compliant
Unit: mm

Scale	Free				Date	Name	Customer-No.
TOLERANCE					Drawn	25.02.2014	Amy
.X	±0.25				Approved	25.02.2014	Amy
.XX	±0.10						
.XXX	±0.05						
DIM	TOL						
Angle	±1°						
		ⓐ	Drawn	25.02.2014	Amy	ASSMANN WWSW components	
		Id.	Modification	Date	Name		

ASSMANN WSW-No.
A-RJ45-BOX-4

Drawing-No.
ASS 6269 CO rev00

Replace Sheet

1

2

3

4

5

6

7