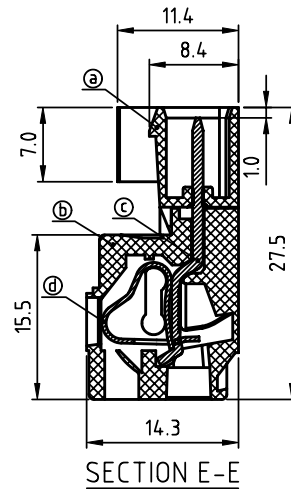
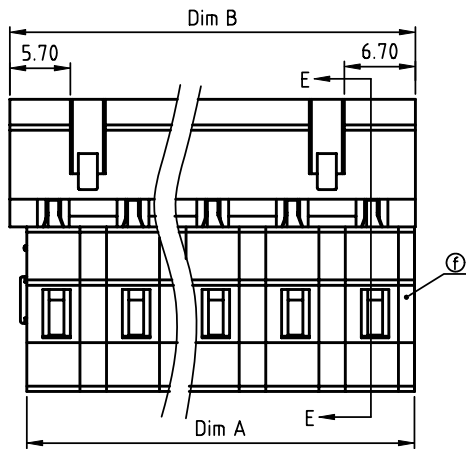
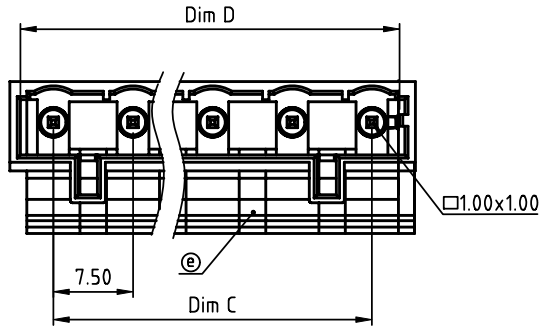
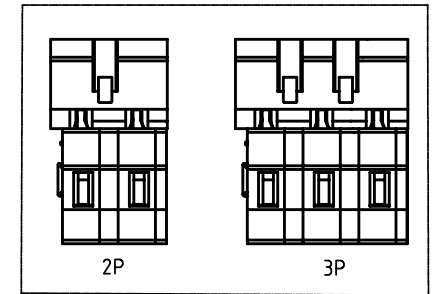


PRODUCT NUMBER	PITCH
NBxxA0x200J0G	7.50 mm

N=Number of poles  
 Dim A=Nx7.5-1.0  
 Dim B=Nx7.5+0.7  
 Dim C=(N-1)x7.5  
 Dim D=(N-1)x7.5+5.7

PART NO.: NB xx A 0 x 2 00J0 G

Solid block	0	Color	RoHS compliant
No. of poles	2	Black (RAL9005)	(lead<4%)
02 2 poles	3	Red (RAL3001/D)	In copper Alloy
03 3 poles	4	Orange(RAL2011/P)	
...	5	Yellow(RAL1018/A)	
16 16 poles	6	Green(RAL6018/T)	
	8	Blue (RAL5015/A)	
	9	Grey(RAL7035/D)	
	C	White(RAL1102)	
		Green(RAL6018/U)	

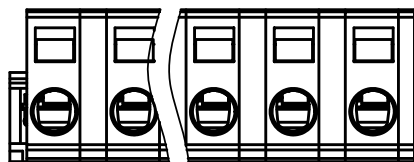


Material:

- ItemⒶTop body: Thermoplastic (UL94 V-0)
- ItemⒷBottom body: Thermoplastic (UL94 V-0)
- ItemⒸMale contact pin: Brass Tin plated
- ItemⒹSpring clamp: Stainless steel
- ItemⒺPad board:Thermoplastic ( UL94V-0 )
- ItemⒻTerminal cover:Thermoplastic ( UL94V-0 )

Electrical cULus

- Voltage rating: 300V
- Current rating: 8A
- Wire range:
- Solid wire(AWG): 12-28
- Stranded wire(AWG): 12-28
- Wire strip length: 8-9mm
- Withstanding Voltage: 1.6KV
- Operating temperature: -40°C to +115°C
- Safety Approval:



mat'l. code		surface ASME Y14.5	tolerance ASME Y14.5	projection MM	product family TERMINAL BLOCK
ltr	ecn no	dr	date		title TERMINAL BLOCK SPRING CLAMP, PLUGGABLE PLUG, MALE CONNECTOR 100% PROTECTED AGAINST MISMATING
tolerances unless otherwise specified					
angles		X.±0.5			sheet 1 of 1 size NBxxA0x200J0G A4
X°±1°		X.X±0.3			
		X.XX±0.1			
dr	ENGR	EVIN ZHONG	051914	dwg no	type
	ENGR	EVIN ZHONG	051914		
	CHR	HANKE FENG	051914		
	APPD	SHI JUN	051914		CUSTOMER Drawing
sheet index	revision sheet	A	1		