

LOC	DIST	REVISIONS					
		P	LTR	DESCRIPTION	DATE	DWN	APVD
-	-	-	-	SEE SHEET 1	-	-	-

△ 3.18 MAX PANEL THICKNESS
 △ 2 PRELIMINARY PART NUMBER

WHITE	WHITE	1, 7	BREAKAWAY	30°	△ 1-1445720-2
BLACK	WHITE	1, 7	POSITIVE	0°	△ 1-1445720-1
WHITE	WHITE	2, 3, 7	BREAKAWAY	30°	△ 1-1445720-0
BLACK	WHITE	2, 3, 7	POSITIVE	0°	△ 1445720-09
WHITE	WHITE	2, 3, 5, 6	BREAKAWAY	30°	△ 1445720-08
BLACK	WHITE	2, 3, 5, 6	POSITIVE	0°	△ 1445720-07
WHITE	WHITE	2, 3, 4, 5, 6	BREAKAWAY	30°	△ 1445720-06
BLACK	WHITE	2, 3, 4, 5, 6	POSITIVE	0°	△ 1445720-05
WHITE	WHITE	1, 2, 3, 5, 6, 7	BREAKAWAY	30°	△ 1445720-04
BLACK	WHITE	1, 2, 3, 5, 6, 7	POSITIVE	0°	△ 1445720-03
WHITE	WHITE	ALL	BREAKAWAY	30°	△ 1445720-02
BLACK	WHITE	ALL	POSITIVE	0°	1445720-01
HOUSING COLOR	INDICATOR COLOR	CONTACT CIRCUITS	LATCH	A REF	PART NUMBER

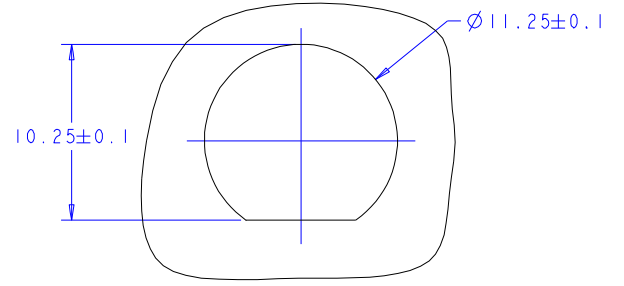
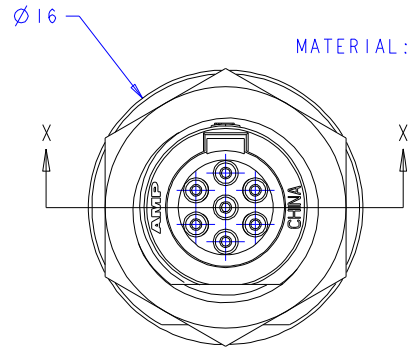
<small>THIS DRAWING IS A CONTROLLED DOCUMENT FOR TYCO ELECTRONICS CORPORATION. IT IS SUBJECT TO CHANGE AND THE USER SHALL BE RESPONSIBLE FOR VERIFYING THE LATEST REVISION. DIMENSIONS SHOULD BE CONTACTED FOR THE LATEST REVISION.</small>		DWN: 01AUG2001 SHANE WILES CHK: 01AUG2001 G. DOUITY	Tyco Electronics Harrisburg, PA 17105-3608
DIMENSIONS: mm	TOLERANCES UNLESS OTHERWISE SPECIFIED: 0 PLC ±. 1 PLC ±. 2 PLC ±0.13 3 PLC ±. 4 PLC ±. ANGLES ±. FINISH	NAME: ASSEMBLY, RECEPTACLE, SOLDER TAIL, PANEL MOUNT, 7 POSITION, MICRO CPC PRODUCT SPEC APPLICATION SPEC	SIZE: A2 CAGE CODE: 00779 DRAWING NO: C=1445720 RESTRICTED TO: -
MATERIAL		WEIGHT	SCALE: 5:1 SHEET 2 OF 2 REV 10
		CUSTOMER DRAWING	

LOC	DIST	REVISIONS				
P	LTR	DESCRIPTION	DATE	DWN	APVD	
7		REVISED	13MAY03	BH	KD	
8		ADDED 'B'. DIM A, 30° WAS 10°	5-28-03	GD	KD	
9		REVISED	3-12-04	GD	KD	
10		ADDED PINS, NOTE 2, COLOR TABLE, AND SHEET 2.	4-14-04			

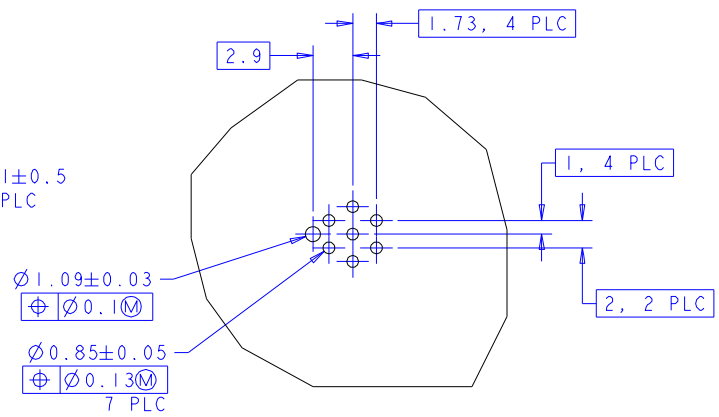
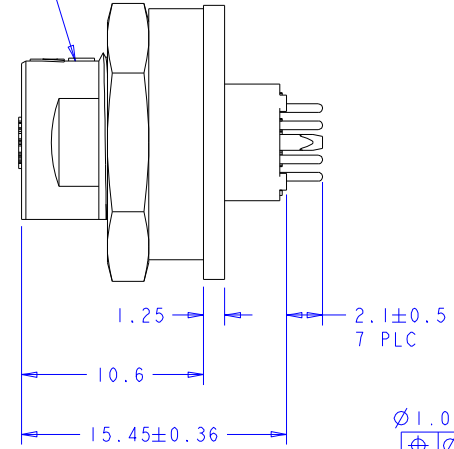
LATCH IDENTIFIER
 B-BREAKAWAY LATCH
 BREAKAWAY VERSION ONLY,
 MAY BE ORIENTED
 IN ANY DIRECTION

ALIGNMENT
 INDICATOR
 SEE TABLE
 FOR COLOR

HOUSING, QTY-01
 MATERIAL: THERMOPLASTIC, COLOR-SEE TABLE



△ SUGGESTED PANEL CUTOUT



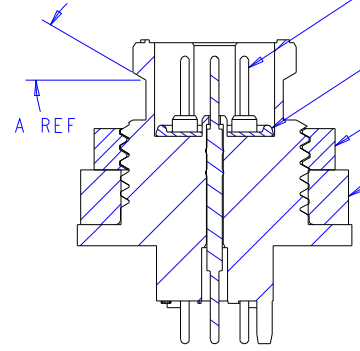
SUGGESTED PRINTED
 CIRCUIT BOARD LAYOUT
 SCALE 4:1

CONTACT, PIN, QTY-7
 MATERIAL: BRASS
 FINISH: GOLD OVER NICKEL

SEAL, INTERFACIAL, QTY-1
 MATERIAL: SILICONE, COLOR-RED

JAM NUT, SHOWN FOR REFERENCE ONLY, TO BE
 ORDERED SEPARATELY, PART #1604197-1

GASKET, FLANGE, SHOWN FOR REFERENCE ONLY, TO BE
 ORDERED SEPARATELY, PART #1445420-03



SECTION X-X

**THIS PRODUCT HAS NOT COMPLETED
 VALIDATION TESTING**

<small>THIS DRAWING IS A CONTROLLED DOCUMENT FOR TYCO ELECTRONICS CORPORATION IF A REVISION TO THIS DRAWING IS REQUIRED, CONTACT THE TYCO ELECTRONICS CORPORATION PRODUCT DEVELOPMENT DEPARTMENT FOR THE LATEST REVISION.</small>		DWN: 01AUG2001 SHANE WILES CWR: 01AUG2001 G. DOUITY APVD:	Tyco Electronics Harrisburg, PA 17105-3608
DIMENSIONS: mm 	TOLERANCES UNLESS OTHERWISE SPECIFIED: 0 PLC ±: 1 PLC ±: 2 PLC ±0.13 3 PLC ±: 4 PLC ±: ANGLES ±: FINISH	NAME: ASSEMBLY, RECEPTACLE, SOLDER TAIL, PANEL MOUNT, 7 POSITION, MICRO CPC SIZE: CAGE CODE: DRAWING NO: A2 00779 C=1445720 RESTRICTED TO:	SCALE: 5:1 SHEET 1 OF 2 REV 10
MATERIAL: SEE CALLOUT	FINISH: SEE CALLOUT	WEIGHT: -	CUSTOMER DRAWING