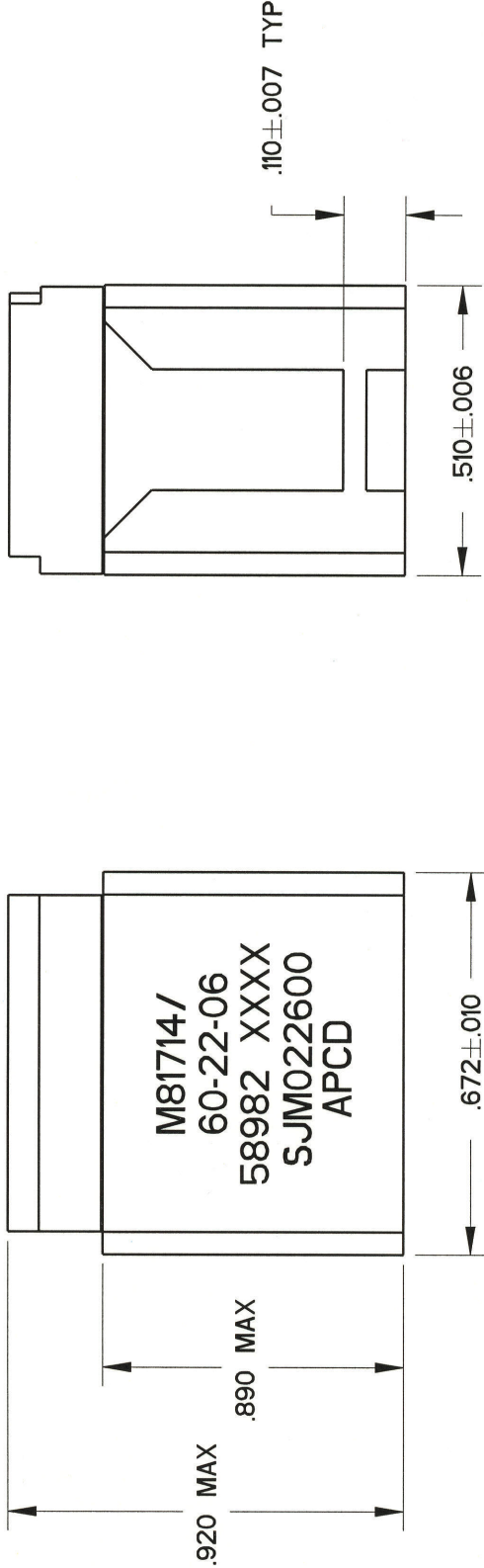
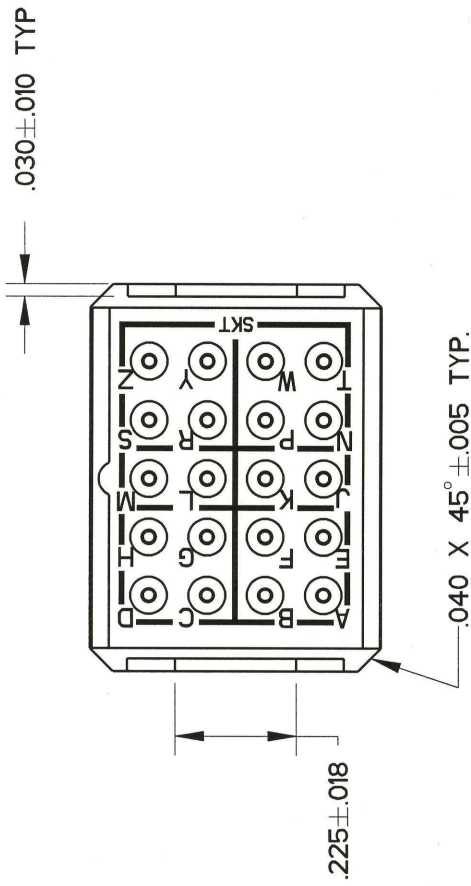
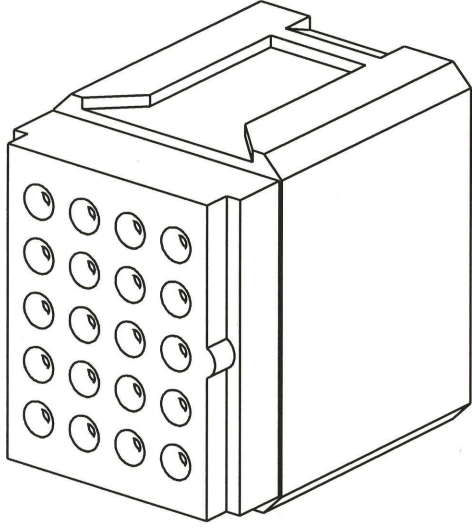


REV	ECN	APP'D
M	5910	RS 7/27/06
N	5979	ST 11/15/06



- NOTES:
- PART MEETS ALL REQUIREMENTS OF MIL-T-81714/60
  - MATERIALS:  
GROMMET - SILICONE RUBBER PER A-A-59588  
BODY - POLYETHERIMIDE PER ASTM-D-5205  
INTERNAL CONTACT - BRASS PER ASTM-B16, GOLD PLATED PER SAE-AMS-2422  
CONTACT RETAINER CLIPS - STAINLESS STEEL PER ASTM-A666
  - PART ACCEPTS M39029/22-191 SOCKET CONTACTS. SEE TABLE

**Amphenol Pcd**  
SPECIFICATION DRAWING

DRWN R. SWAINE 9/25/06  
ENGR *R. Swaine*  
APP'D *R. Swaine* 11/15/06  
*John F. R.* 11/15/06

DIMENSIONS ANSI Y14.5M UNITS: INCHES Pro/E FILE	TOLERANCES .XX ±0.01 .XXX ±0.005 ANGLES ±2.0°	PROJECTION 
ORIGINAL	THIS DOCUMENT CONTAINS PROPRIETARY INFORMATION WHICH IS THE CONFIDENTIAL PROPERTY OF AMPHENOL PCD INC., PEABODY, MA	

TITLE  
**SOCKET JUNCTION MODULE**  
SIZE 22, 6-BUS

APCD P/N	SUPPLIED		MARKING	
	SKTS	PLUGS	APCD PART NO.	MIL. NO.
SJM022600	21	2	SJM022600	M81714/60-22-06
SJM022601	-	-	-	-

SIZE	DWG NO.	REV
B	SJM022600	N
CODE: 58982	SCALE: 3:1	SHEET 1 OF 1