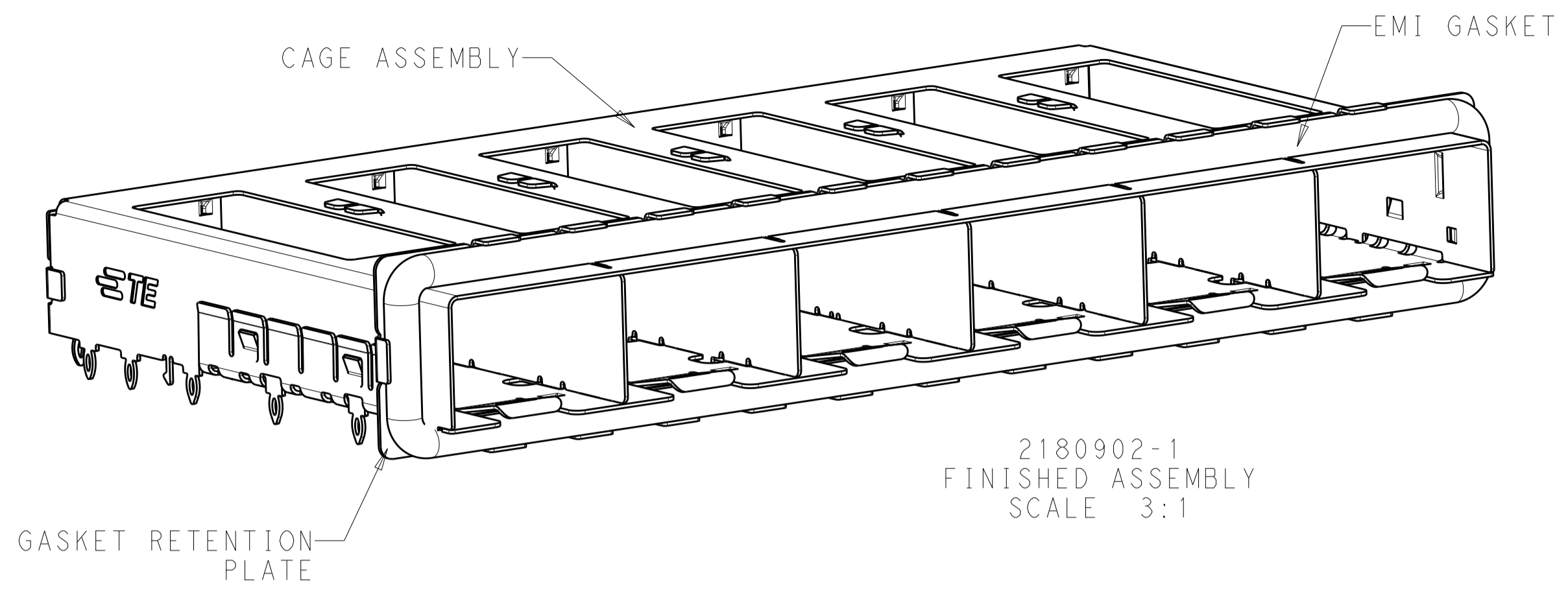
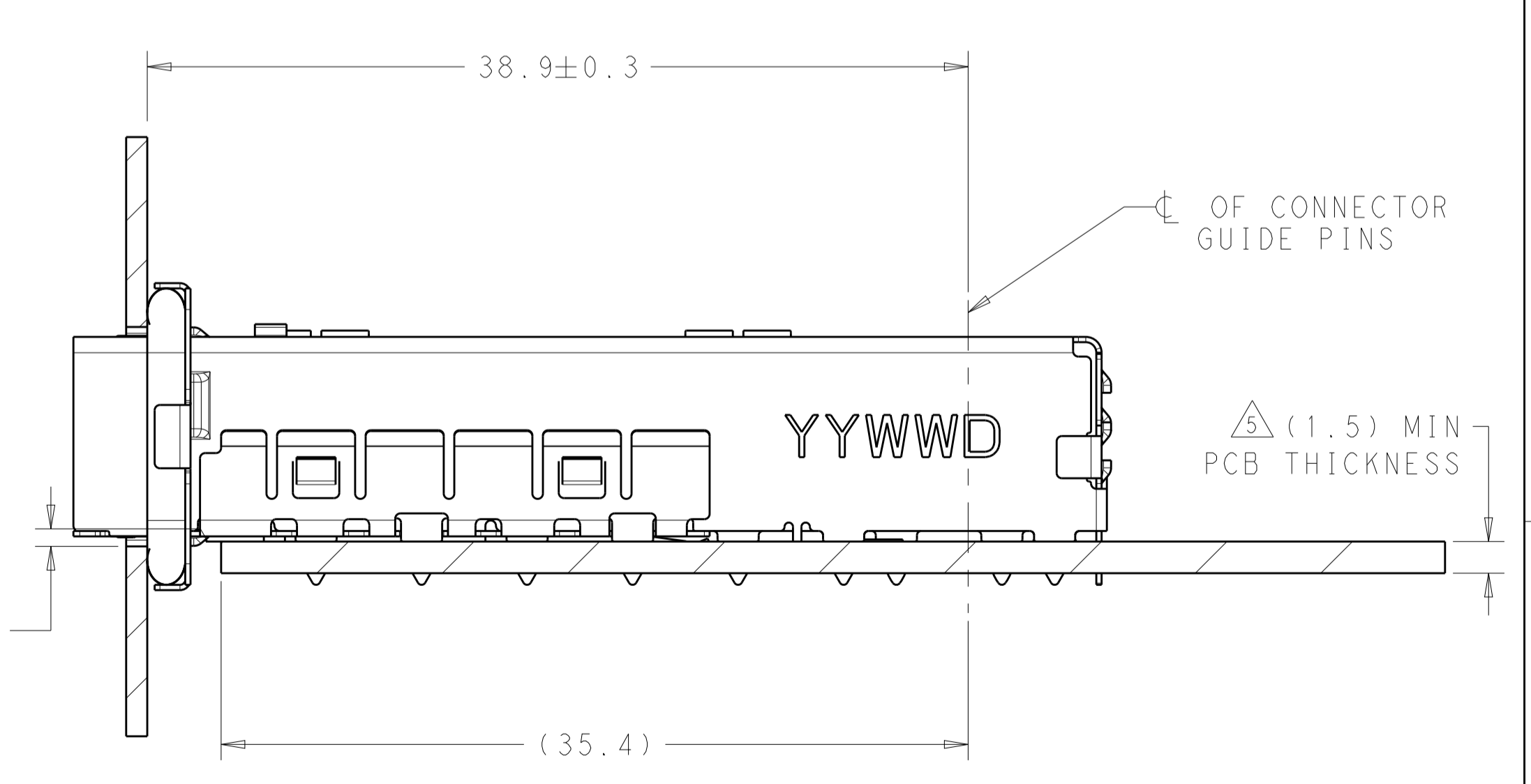
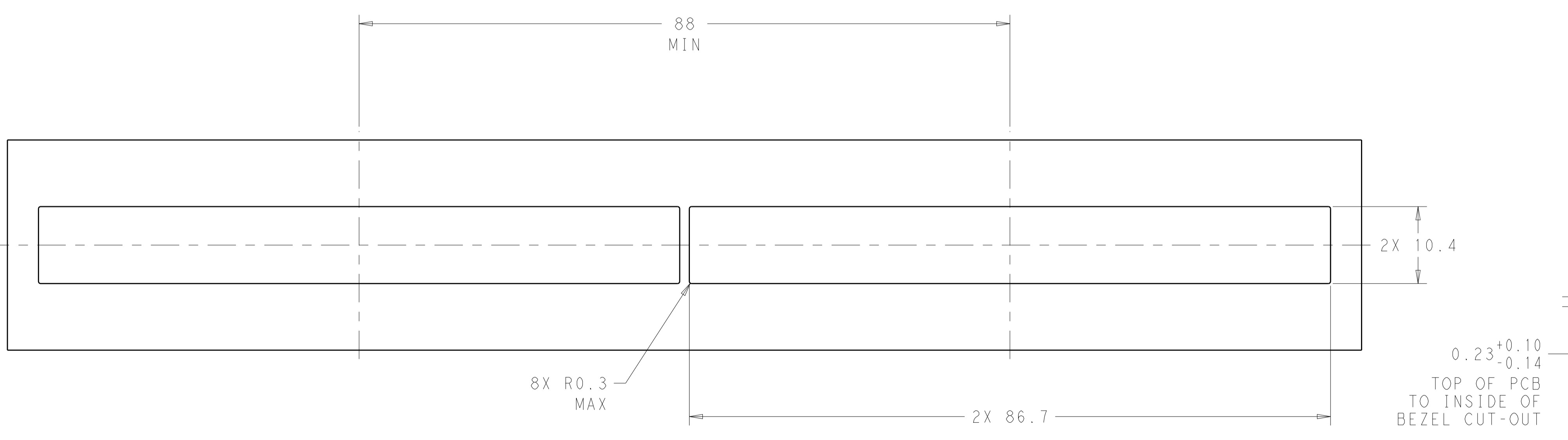
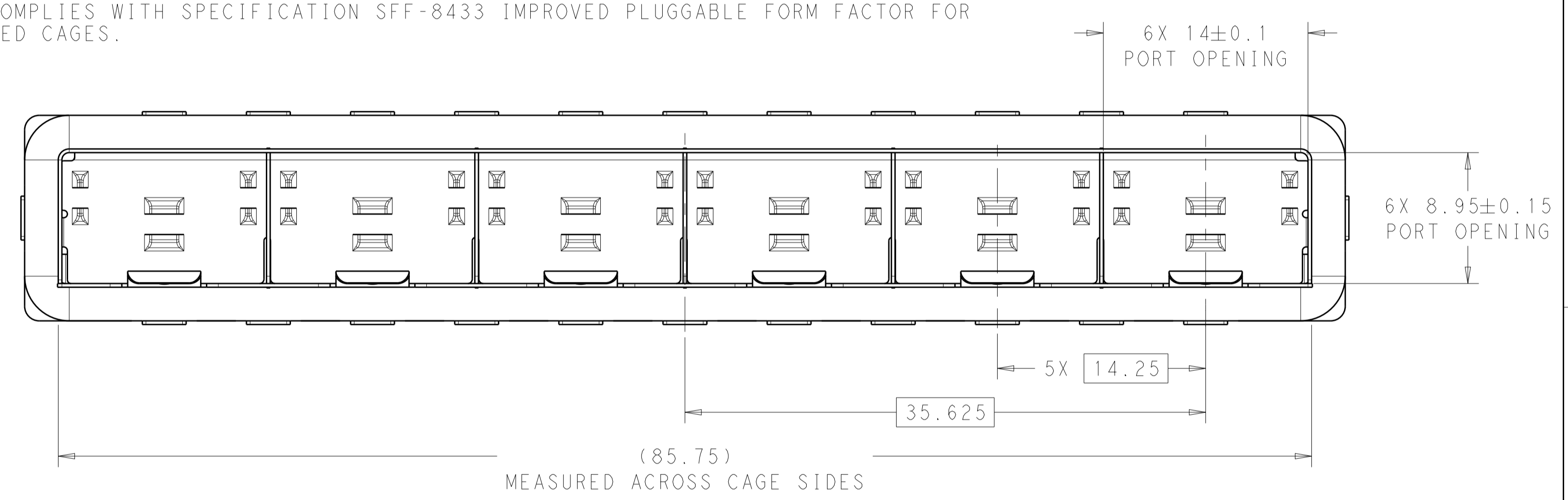
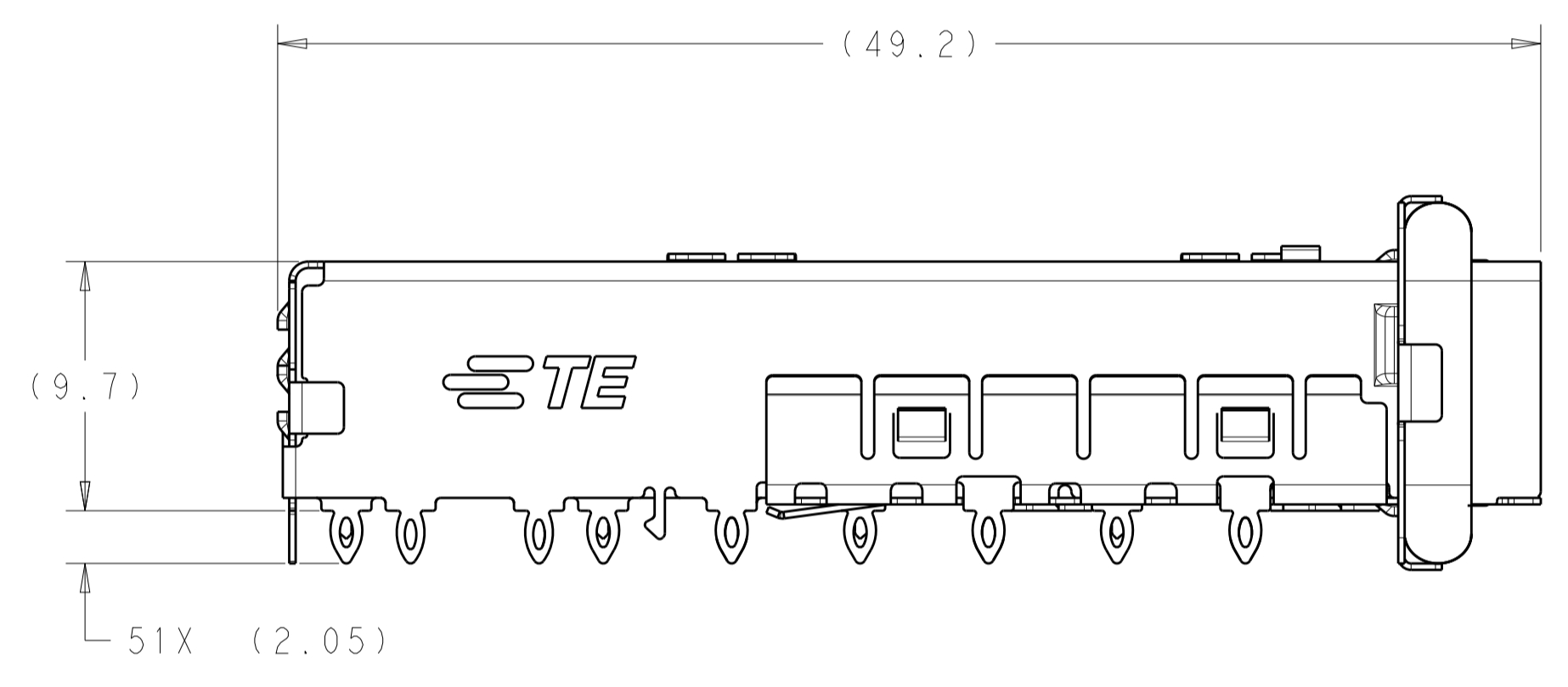


LOC	DIST	REVISIONS			
P	LTN	DESCRIPTION	DATE	DMN	APVD
GP	00	A	RELEASED PER ECO-12-013192	04SEP2012	BMM MRS



1. MATERIAL:
CAGE ASSEMBLY: NICKEL SILVER ALLOY, 0.25mm THICK.
GASKET RETENTION PLATE: STAINLESS STEEL
EMI GASKET: PLATED FILLED SILICONE
2. MATES WITH SFP MSA COMPLIANT TRANSCEIVERS.
3. PADS AND VIAS CHASSIS GROUND.
4. INTERPRETATION OF DATUM REFERENCE FRAME IN ACCORDANCE WITH SECT 4.4.1.1 OF ASME Y14.5M-1994.
5. MINIMUM PCB BOARD THICKNESS:
SINGLE SIDED = 1.50
6. HOLE PATTERN REPEATS FOR EACH PORT. SPACING BETWEEN PORTS IS 14.25mm.
7. DATUM AND BASIC DIMENSION ESTABLISHED BY CUSTOMER.
8. REFERENCE APPLICATION SPEC. 114-13120, HOLE A, FOR RECOMMENDED DRILL HOLE DIAMETER AND PLATING THICKNESS.
9. REFERENCE APPLICATION SPEC. 114-13120, HOLE B, FOR RECOMMENDED DRILL HOLE DIAMETER AND PLATING THICKNESS.
10. CERTAIN MATING TRANSCEIVERS MAY REQUIRE ADDITIONAL PCB THICKNESS THAT WOULD BE DETERMINED BY THE CUSTOMER.
11. PRODUCT COMPLIES WITH SPECIFICATION SFF-8433 IMPROVED PLUGGABLE FORM FACTOR FOR SFP+ GANGED CAGES.



RECOMMENDED BEZEL CUT-OUT
SINGLE SIDED APPLICATIONS
SCALE 5:2

2180902-1
MOUNTED ON PC BOARD
SHOWN THRU RECOMMENDED BEZEL

2180902-1
PART NUMBER

THIS DRAWING IS A CONTROLLED DOCUMENT.		DMN: B MATTHEWS 20 JUL 2011
DIMENSIONS:		CHK: M SCHWITZ 20 JUL 2011
mm	TOLERANCES UNLESS OTHERWISE SPECIFIED:	APVD: M SCHWITZ 20 JUL 2011
0 PLC	±0.1	PRODUCT SPEC
1 PLC	±0.1	108-2364
2 PLC	±0.1	APPLICATION SPEC
3 PLC	±0.1	114-13120
4 PLC	±0.1	WEIGHT
ANGLES	±1*	FINISH
MATERIAL		

PRELIMINARY

STE TE Connectivity

SFP+ ENHANCED 1X8 CAGE SUBASSEMBLY
PRESS FIT, EMI GASKET

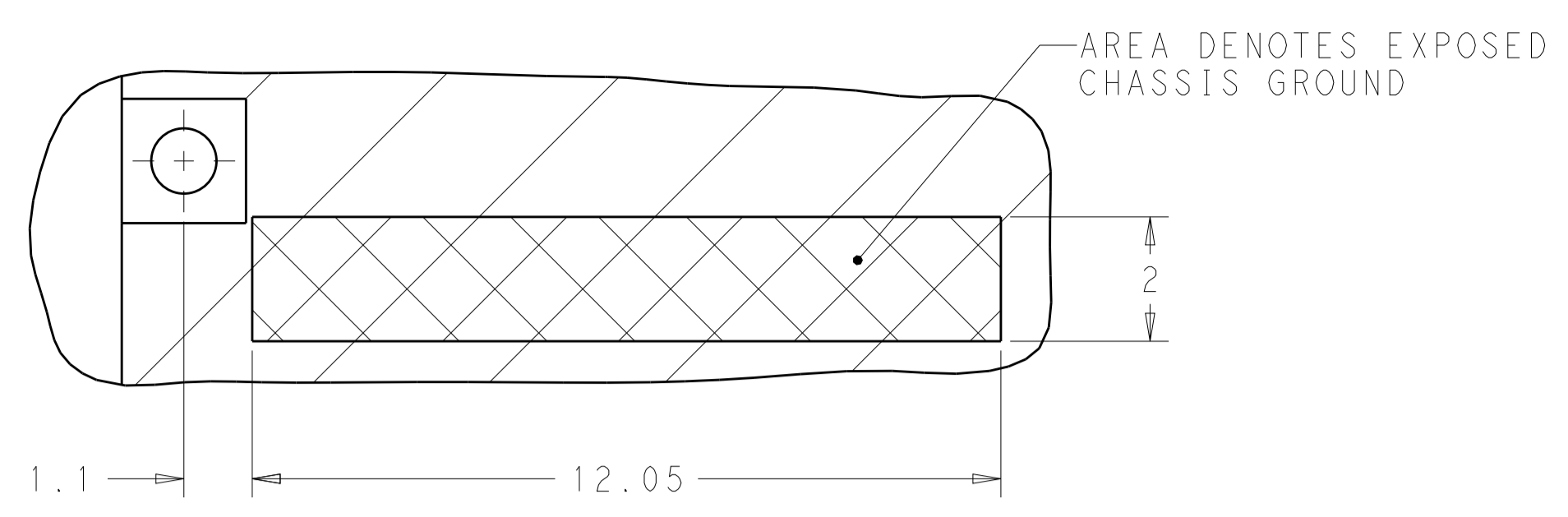
SIZE: CAGE CODE DRAWING NO: RESTRICTED TO

A100779C=2180902

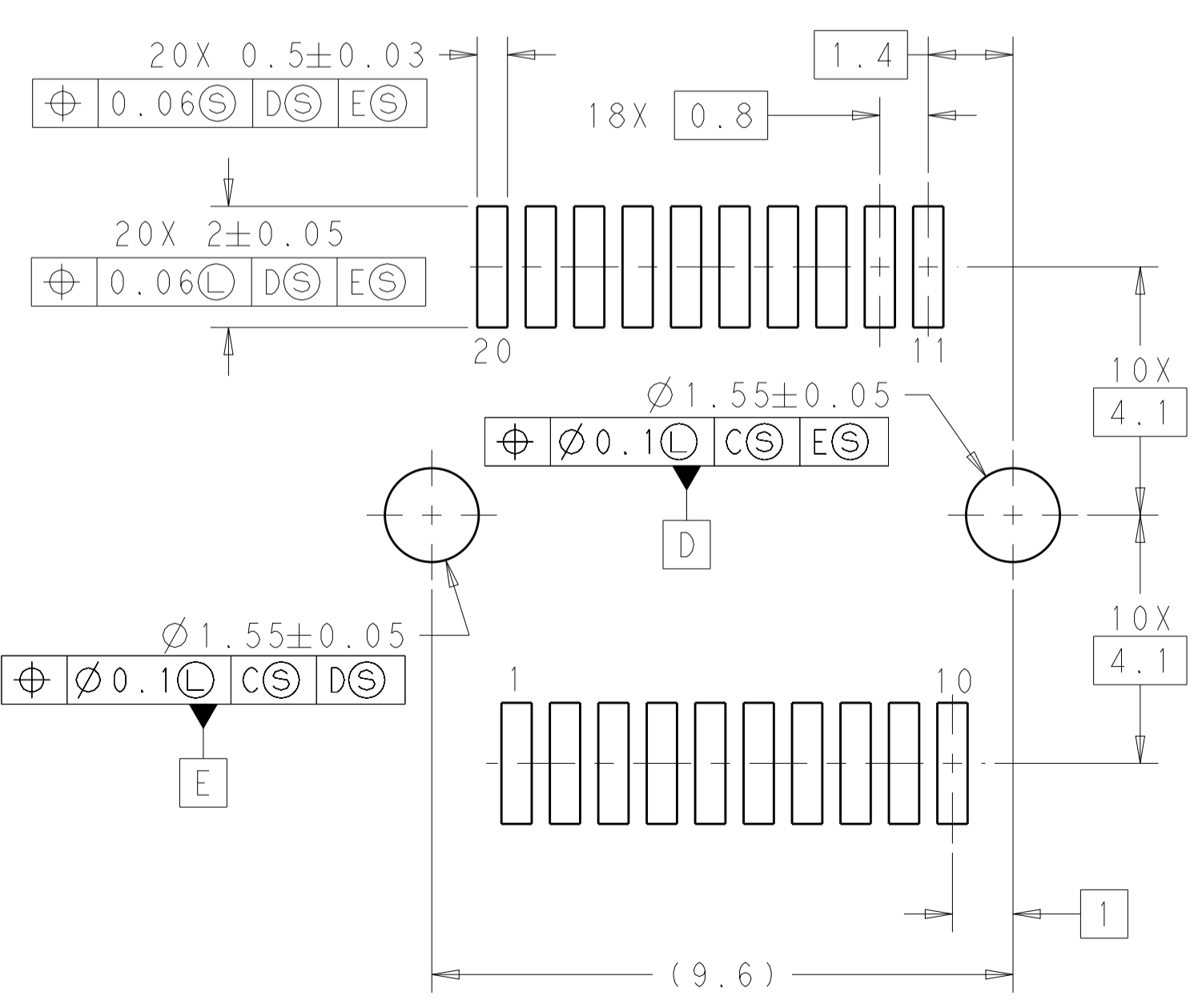
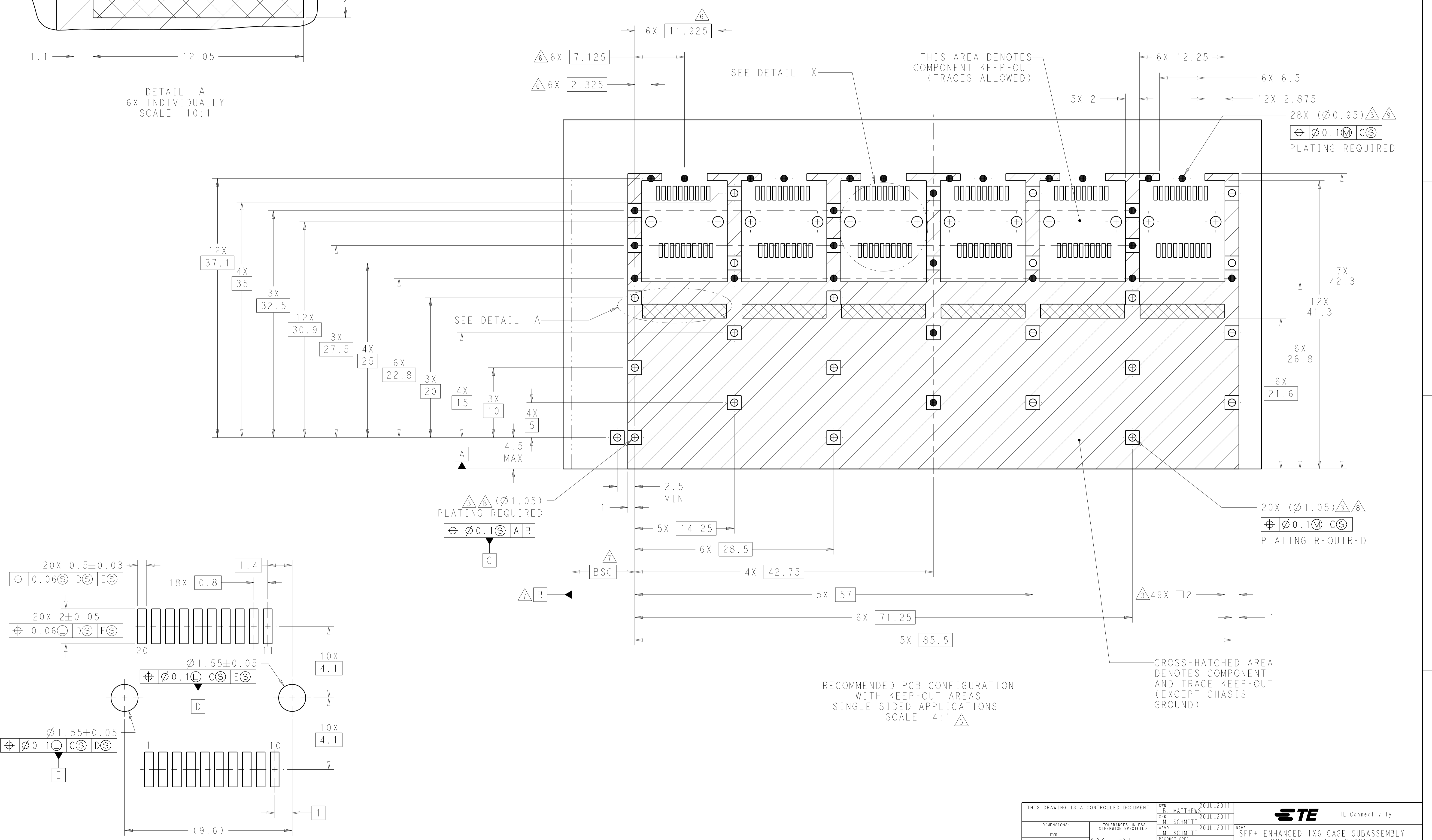
CUSTOMER DRAWING SCALE: 4:1 SHEET 1 OF 2 REV A

LOC	DIST	REV	DATE	BY	APPV
GP	00				

REVISIONS			
REV	DATE	BY	APPV
-	-	-	-
SEE SHEET 1			



DETAIL A
6X INDIVIDUALLY
SCALE 10:1



THIS DRAWING IS A CONTROLLED DOCUMENT.		OWN: B. MATTHEWS 20JUL2011	TE Connectivity														
DIMENSIONS: mm		CHK: M. SCHMITT 20JUL2011															
TOLERANCES UNLESS OTHERWISE SPECIFIED:		APV: M. SCHMITT 20JUL2011	NAME: SFP+ ENHANCED 1X6 CAGE SUBASSEMBLY PRESS FIT, EMI GASKET														
<table border="1"> <tr><td>0 PLC</td><td>±0.1</td></tr> <tr><td>1 PLC</td><td>±0.1</td></tr> <tr><td>2 PLC</td><td>±0.1</td></tr> <tr><td>3 PLC</td><td>±0.1</td></tr> <tr><td>4 PLC</td><td>±0.1</td></tr> <tr><td>ANGLES</td><td>±0.1</td></tr> <tr><td>FINISH</td><td>±1*</td></tr> </table>		0 PLC	±0.1	1 PLC	±0.1	2 PLC	±0.1	3 PLC	±0.1	4 PLC	±0.1	ANGLES	±0.1	FINISH	±1*	PRODUCT SPEC: 108-2364	SIZE: 114-13120
0 PLC	±0.1																
1 PLC	±0.1																
2 PLC	±0.1																
3 PLC	±0.1																
4 PLC	±0.1																
ANGLES	±0.1																
FINISH	±1*																
MATERIAL:		APPLICATION SPEC: 114-13120	RESTRICTED TO: -														
WEIGHT: -		CUSTOMER DRAWING	SCALE: 4:1 SHEET 2 OF 2 REV A														