



Micro Commercial Components



Micro Commercial Components
20736 Marilla Street Chatsworth
CA 91311
Phone: (818) 701-4933
Fax: (818) 701-4939

MPSA05

NPN General Purpose Amplifier

Features

- This device is designed for use as general purpose amplifiers and switches requiring collector currents to 300mA
Lead Free Finish/RoHS Compliant ("P" Suffix designates RoHS Compliant. See ordering information)
Epoxy meets UL 94 V-0 flammability rating
Moisure Sensitivity Level 1
Marking:MPSA05
Halogen free available upon request by adding suffix "-HF"

Maximum Ratings

Table with 4 columns: Symbol, Rating, Rating, Unit. Rows include V_CEO, V_CBO, V_EBO, I_C, T_J, T_STG.

Thermal Characteristics

Table with 4 columns: Symbol, Rating, Max, Unit. Rows include P_D, R_JC, R_JA.

Electrical Characteristics @ 25°C Unless Otherwise Specified

Table with 5 columns: Symbol, Parameter, Min, Max, Units

OFF CHARACTERISTICS

Table with 5 columns: Symbol, Parameter, Min, Max, Units. Rows include V_(BR)CEO, V_(BR)EBO, I_CEO, I_CBO.

ON CHARACTERISTICS

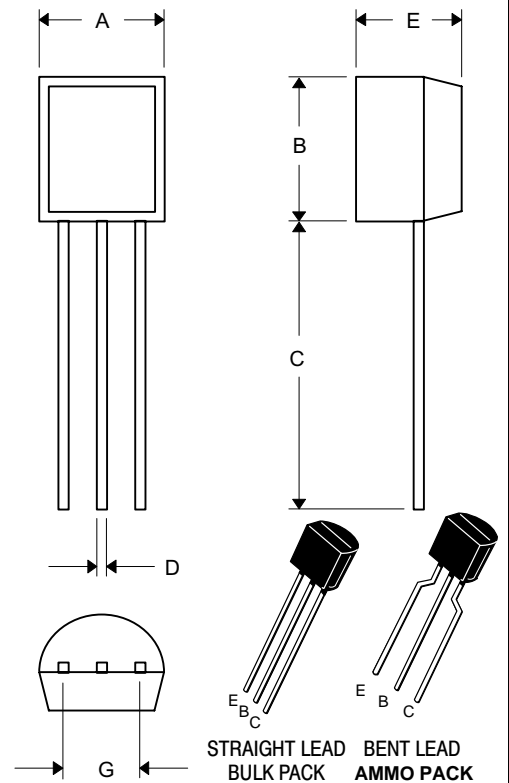
Table with 5 columns: Symbol, Parameter, Min, Max, Units. Rows include h_FE, V_CE(sat), V_BE(on).

Small Signal Characteristics

Table with 5 columns: Symbol, Parameter, Min, Max, Units. Row includes f_T.

* Pulse Test: Pulse Width<300us, Duty Cycle<2.0%

TO-92



DIMENSIONS

Table with columns: DIM, INCHES (MIN, MAX), MM (MIN, MAX), NOTE. Rows include dimensions A through G.

* For ammo packing detailed specification, click here to visit our website of product packaging for details.



Micro Commercial Components

Ordering Information :

| Device | Packing |
|----------------|-----------------------------|
| Part Number-AP | Ammo Packing: 20Kpcs/Carton |
| Part Number-BP | Bulk: 100Kpcs/Carton |

Note : Adding "-HF" suffix for halogen free, eg. Part Number-AP-HF

*****IMPORTANT NOTICE*****

Micro Commercial Components Corp. reserves the right to make changes without further notice to any product herein to make corrections, modifications, enhancements, improvements, or other changes. **Micro Commercial Components Corp.** does not assume any liability arising out of the application or use of any product described herein; neither does it convey any license under its patent rights, nor the rights of others. The user of products in such applications shall assume all risks of such use and will agree to hold **Micro Commercial Components Corp.** and all the companies whose products are represented on our website, harmless against all damages.

*****LIFE SUPPORT*****

MCC's products are not authorized for use as critical components in life support devices or systems without the express written approval of Micro Commercial Components Corporation.

*****CUSTOMER AWARENESS*****

Counterfeiting of semiconductor parts is a growing problem in the industry. Micro Commercial Components (MCC) is taking strong measures to protect ourselves and our customers from the proliferation of counterfeit parts. MCC strongly encourages customers to purchase MCC parts either directly from MCC or from Authorized MCC Distributors who are listed by country on our web page cited below. Products customers buy either from MCC directly or from Authorized MCC Distributors are genuine parts, have full traceability, meet MCC's quality standards for handling and storage. **MCC will not provide any warranty coverage or other assistance for parts bought from Unauthorized Sources.** MCC is committed to combat this global problem and encourage our customers to do their part in stopping this practice by buying direct or from authorized distributors.