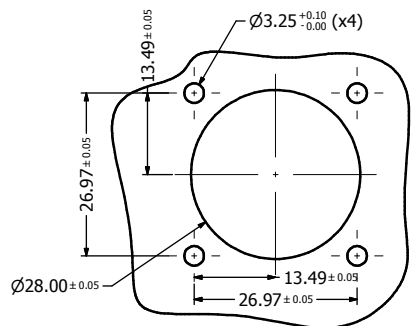
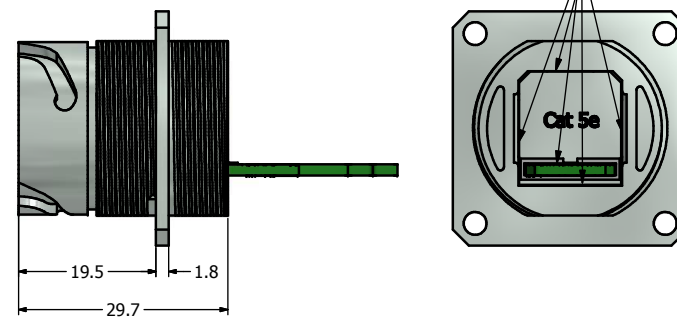
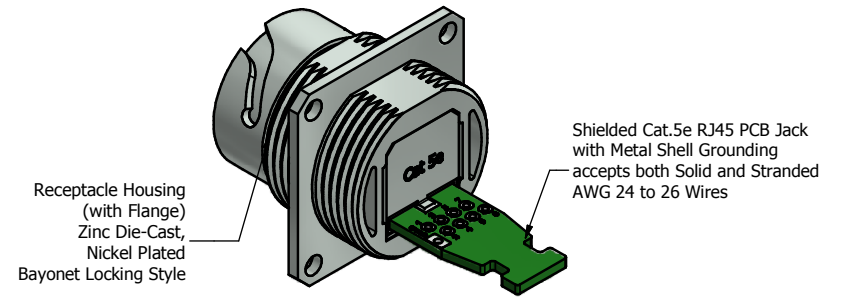
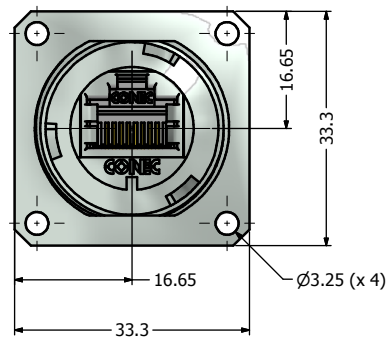
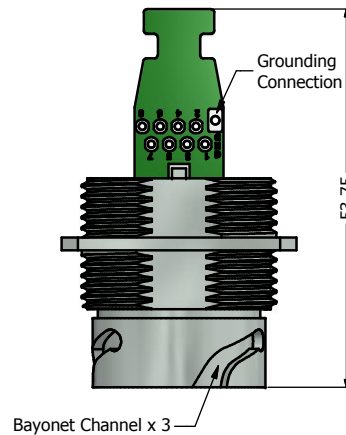


Recommended Double-D Panel Cutout



Recommended Round Panel Cutout



**Notes:**

- Electrical Specifications:
  - Meets EIA/TIA-568-B.2 Cat.5e Specification
  - Contact Resistance: 20mOhm max.
  - Insulation Resistance: 500MOhm min. @ 100 VDC
  - Current Rating: 1.2A max. at 25~C
  - Working Voltage: 100 VDC
  - DWV: 1000 VDC/60s Contact to Contact, 1500 VDC/60s Contact to Metal Shell
  - Operating Temperature: -40~C to +85~C
- Material and Finish:
  - Receptacle Housing (with Flange): Zinc Die-Cast, Nickel Plated
  - Cat.5e RJ45 PCB Jack Metal Shell: Copper Alloy, Nickel Plated
  - Cat.5e RJ45 PCB Jack Plastic Housing: Glass filled PBT UL94 V-0, Color: Black
  - Cat.5e RJ45 PCB Jack Contacts: Phosphor Bronze, Finish: 50u" Gold min. over Nickel
- Connector can be front or rear mounted to a maximum panel thickness of 3.2mm.
- IP67 rated when covered or fully mated with the appropriate mating connector
- Supply with a cable tie

Directive 2002/95/EC RoHS Compliant

| Description   | Part Number |
|---|-------------|
| Nickel Plated Zinc Die-Cast with Shielded Cat5e RJ45 Jack + Grounding Hole + Cable Tie        | 17-111114   |
| Potted Nickel Plated Zinc Die-Cast with Shielded Cat5e RJ45 Jack + Grounding Hole + Cable Tie | 17-111124   |

Ⓢ Note: the panel gasket (P/N: 17-103540) and the M3 mounting hardware (P/N: 17-103530) must be ordered separately, the recommended mounting torque is 8 to 10 lb-inch

|  |           |       |               |  |                                     |  |            |
|--|-----------|-------|---------------|--|-------------------------------------|--|------------|
| THIS DRAWING MAY NOT BE COPIED OR REPRODUCED IN ANY MANNER AND MAY NOT BE PASSED ON TO A THIRD PARTY WITHOUT WRITTEN PERMISSION. OWNERSHIP AND COPYRIGHT OF CONEC CORPORATION. | Customer: |       |               | Tolerance<br>Unless otherwise specified<br>0 PLC ±0.50<br>1 PLC ±0.38<br>2 PLC ±0.25<br>3 PLC ±0.10<br>ANGLES ±7 |                                     | Scale: NTS                             | Dim. in mm |
|  | Name      | Title | Approval Date |  |                                     | Material: See Notes                    |            |
|  |           |       |               |  |                                     | PCB Jack Receptacle (with Flange)      |            |
|  |           |       |               |  |                                     | with Cat. 5e RJ45 PCB Jack Version-III |            |
|  |           |       |               |  | Nickel Plated Zinc Die-Cast Version |  |            |
|  |           |       |               |  | Drawing No.: 17K1A381               | DIN A3                                 |            |
|  |           |       |               |  | Part No.: SEE TABLE ABOVE           | Sheet 1/1                              |            |

