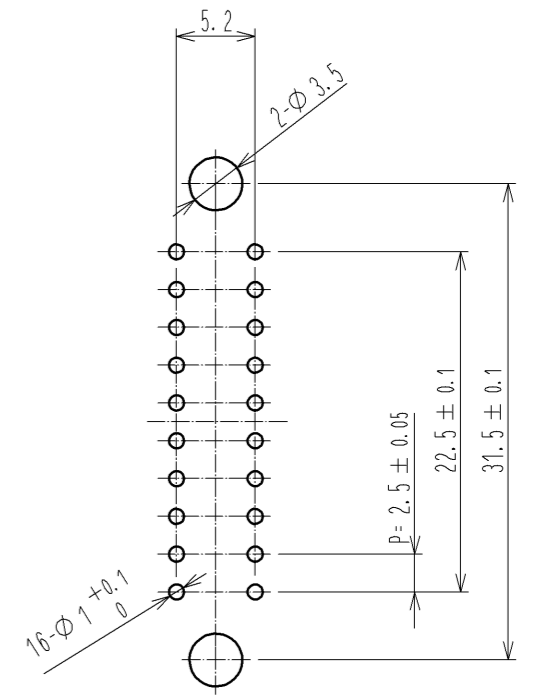
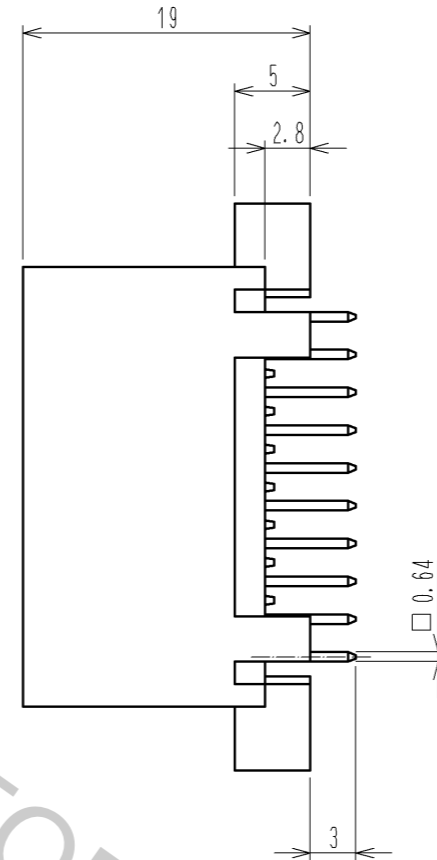
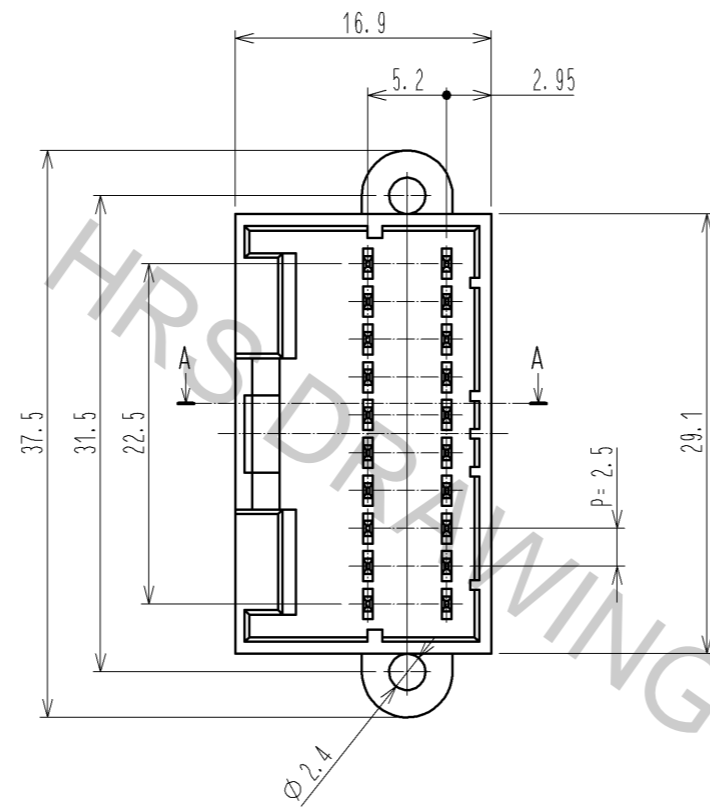
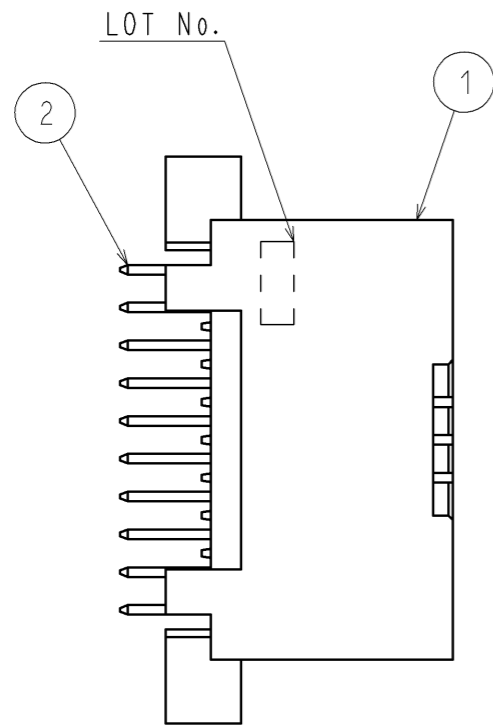
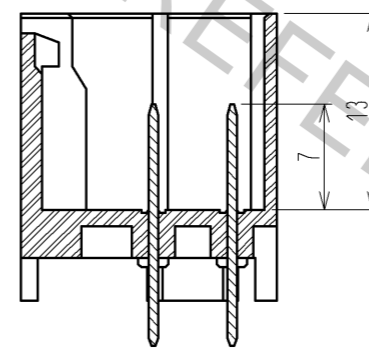
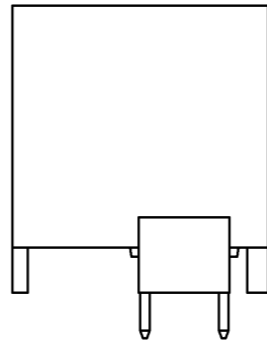


ELV. RoHS COMPLIANT



RECOMMENDED PCB LAYOUT



A-A

1	PBT	BLACK	2	BRASS	TIN PLATING			
NO.	MATERIAL	FINISH . REMARKS	NO.	MATERIAL	FINISH . REMARKS			
UNITS mm		SCALE 2 : 1		COUNT	DESCRIPTION OF REVISIONS	DESIGNED	CHECKED	DATE
<b>HRS</b> HIROSE ELECTRIC CO., LTD.		APPROVED : AR. SHIRAI	11.12.08	DRAWING NO. EDC3-084095-01				
		CHECKED : NA. HARUBAYASHI	11.12.07	PART NO. GT3B-20DP-2.5DSA<70>				
		DESIGNED : KT. MATSUDA	11.12.07	CODE NO. CL753-0004-4-70				
		DRAWN : KT. MATSUDA	11.12.07					