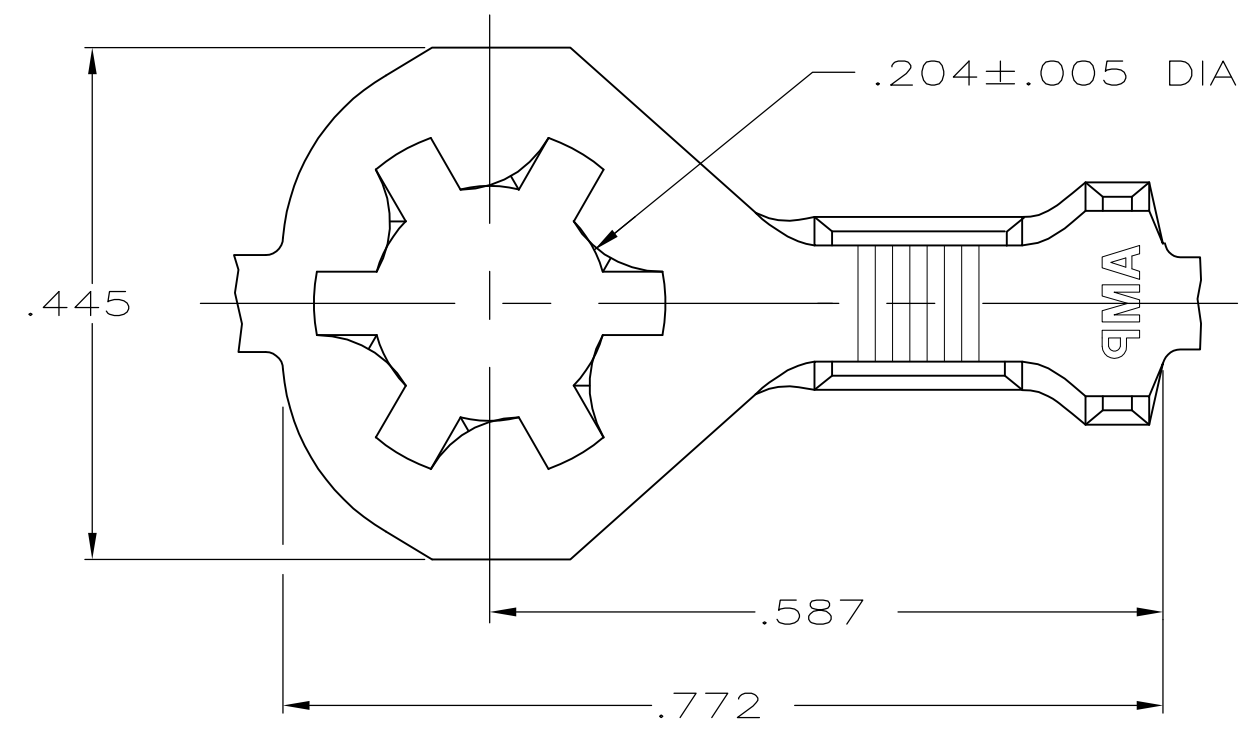
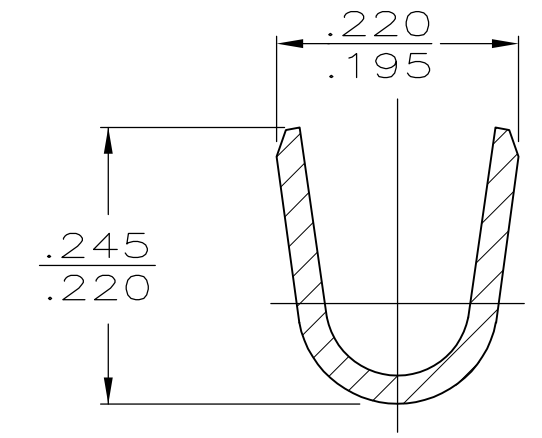
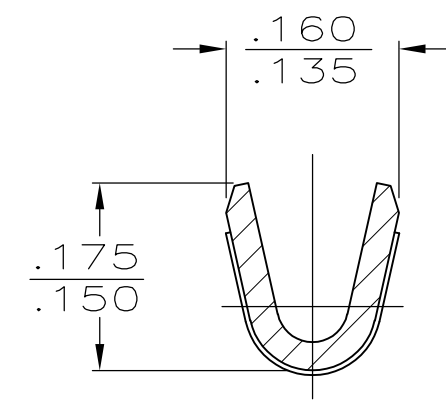


THIS DRAWING IS UNPUBLISHED. RELEASED FOR PUBLICATION
 © COPYRIGHT BY TYCO ELECTRONICS CORPORATION. ALL RIGHTS RESERVED.

LOC	DIST	REVISIONS					
AF	50	P	LTR	DESCRIPTION	DATE	DWN	APVD
			B	REVISED PER ECR-07-014127	26SEP07	HMR	DD

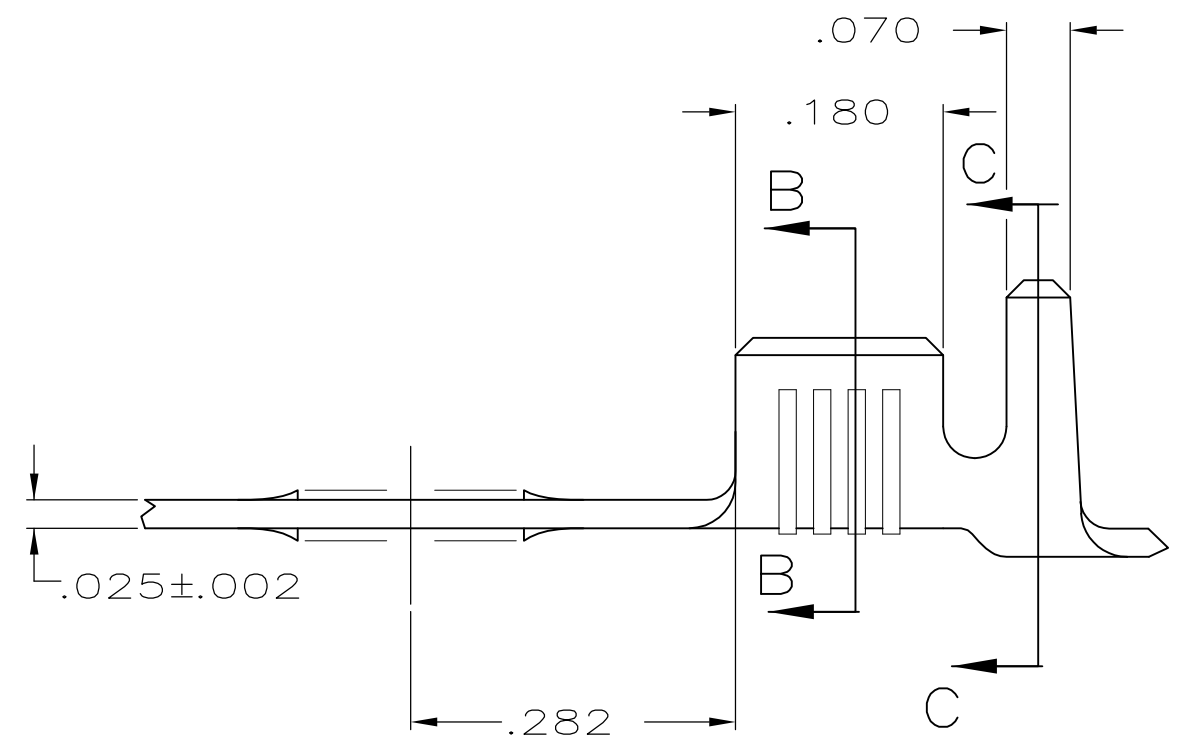


1 CONTINUOUS STRIP ON REELS



SECTION B-B

SECTION C-C



.105-.145 (2).110 STACKED	18-14	63482-1
INSULATION RANGE	WIRE SIZE	PART NO

THIS DRAWING IS A CONTROLLED DOCUMENT.		DWN P FORTNEY 3/21/88	Tyco Electronics Corporation Harrisburg, PA 17105-3608				
DIMENSIONS: INCHES		CHK JR RUTH 3/23/88					
TOLERANCES UNLESS OTHERWISE SPECIFIED:		APVD D DECKER 3/23/88	NAME				
0 PLC ± - 1 PLC ± - 2 PLC ± - 3 PLC ± .015 4 PLC ± - ANGLES ± -		PRODUCT SPEC	RING				
MATERIAL T2 STEEL		FINISH TIN PL	APPLICATION SPEC	SIZE A3	CAGE CODE 00779	DRAWING NO C-63482	RESTRICTED TO
CUSTOMER DRAWING			WEIGHT -	SCALE 6:1	SHEET 1 OF 1	REV B	