

NOTES:

1.0 MATERIALS:

- 1.1 HOUSING AND COUPLING NUT: STAINLESS STEEL PER ASTM-A582. TYPE 303.
- 1.2 CENTER CONTACT: BERYLLIUM COPPER ROD ALLOY C172, PER ASTM-B196.
- 1.3 DIELECTRIC: PTFE FLUOROCARBON PER ASTM-D1457.

2.0 PLATING:

- 2.1 HOUSING AND COUPLING NUT: PASSIVATED PER QQ-P-35 AND MIL-F-14072.
- 2.2 CENTER CONTACT: GOLD PER MIL-G-45204 TYPE II, CLASS 2.

3.0 ELECTRICAL SPECIFICATIONS:

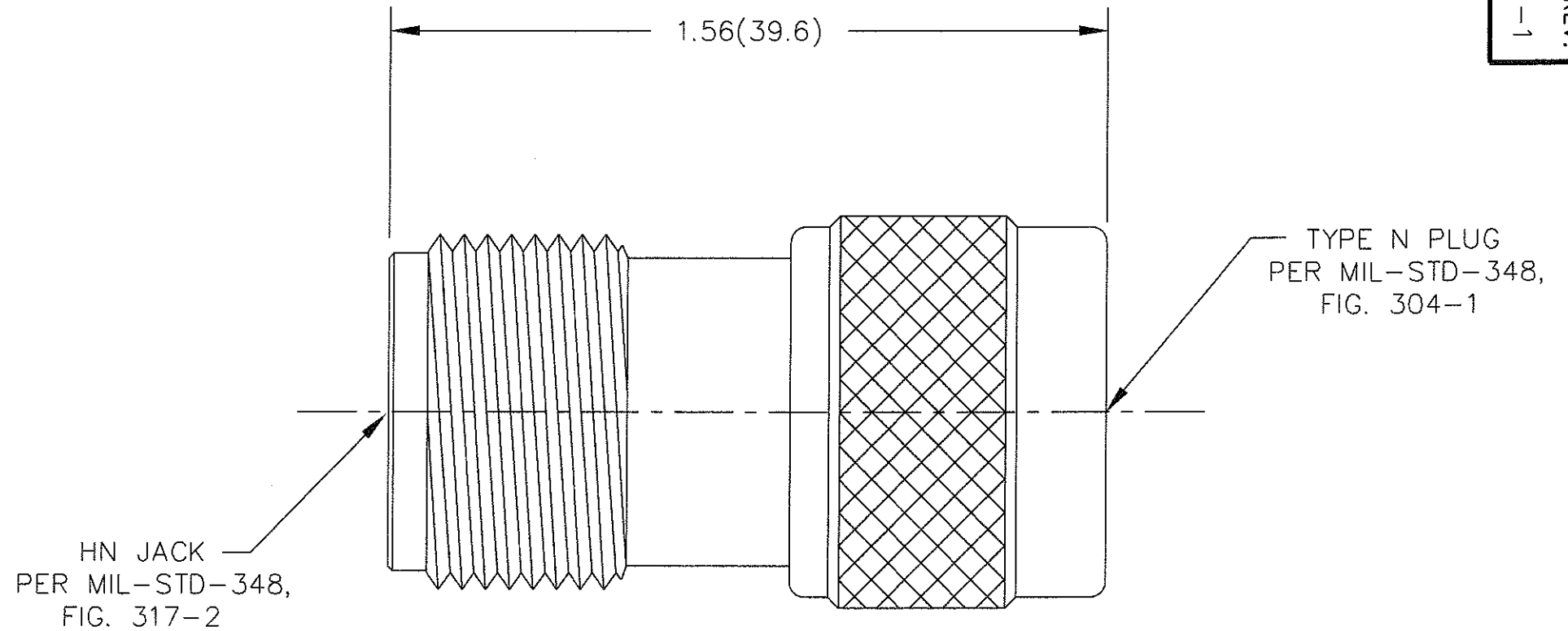
- 3.1 FREQUENCY RANGE: DC to 8.0 GHz
- 3.2 VSWR (MAX.):  
1.05:1 DC to 4.0 GHz  
1.10:1 4.0 to 8.0 GHz

4.0 MECHANICAL:

- 4.1 INTERFACE PER MIL-STD-348 IN ACCORDANCE WITH MIL-A-55339.
- 4.2 CENTER CONTACT CAPTURED IN ACCORDANCE WITH MIL-A-55339.

5.0 DIMENSIONS IN PARENTHESIS ARE MILLIMETERS.

ALL OTHER MECHANICAL, ELECTRICAL, AND ENVIRONMENTAL CHARACTERISTICS ARE IN ACCORDANCE WITH MIL-C-55339.



REV.	DESCRIPTION	DATE
-	RELEASED	12/16/94
-1	ADDED TITLEBLOCK	3/17/05

UNLESS OTHERWISE NOTED DIMENSIONS ARE IN INCHES AND TOLERANCES ARE: 3 PLACE DECIMALS ±.005 2 PLACE DECIMALS ±.02 FRACTIONS ±1/64 PARALLELITY: T.I.R. _____ FLATNESS: T.I.R. _____ CONCENTRICITY: T.I.R. _____ ANGLES AND PERPENDICULARITY: ±1'	FSCM NO. <b>34078</b>	<b>MIDWEST MICROWAVE</b>	
	NOTICE: The information contained in this drawing is proprietary and must not be used without the permission of Midwest Microwave	TITLE ADAPTER HN JACK to TYPE N PLUG	
DRAWN/DATE M.HOLLMAN 12/15/94	ENG./DATE A.OSGA 12/16/94	DRAWING NUMBER ADT-2791-NM-HNF-02	
CHECKED/DATE A.BEATTY 12/15/94	APPROVED/DATE	SCALE: 3=1	SHEET 1 of 1