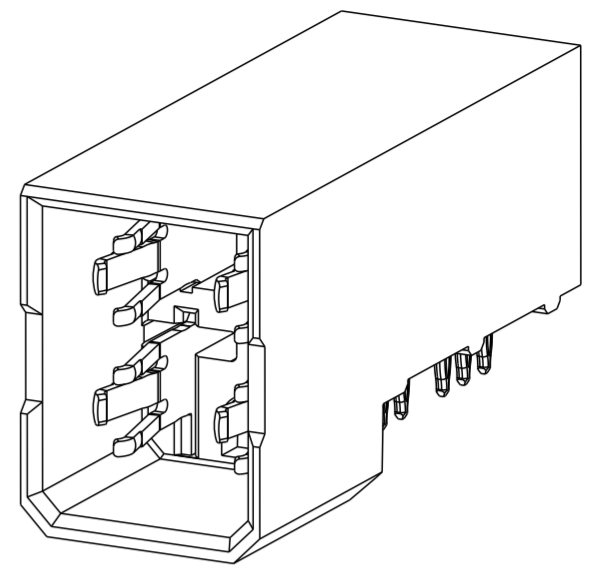
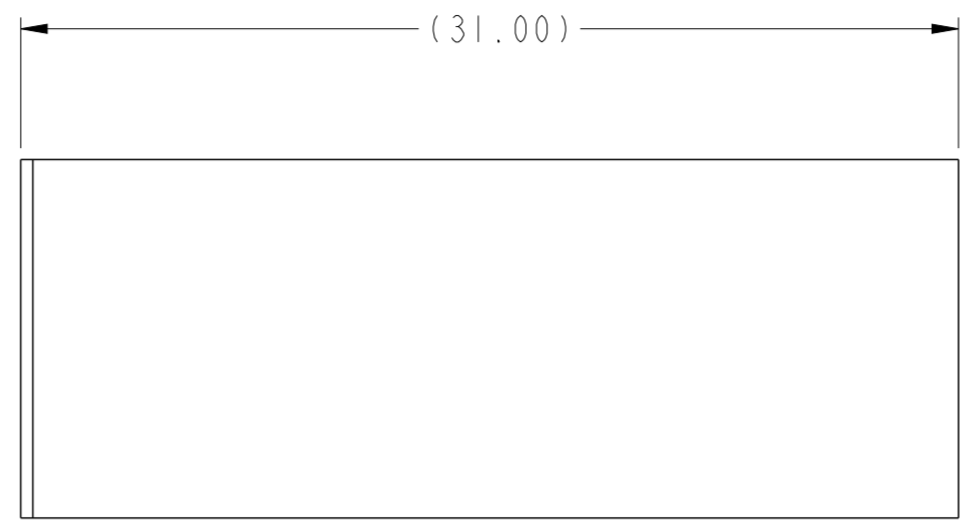
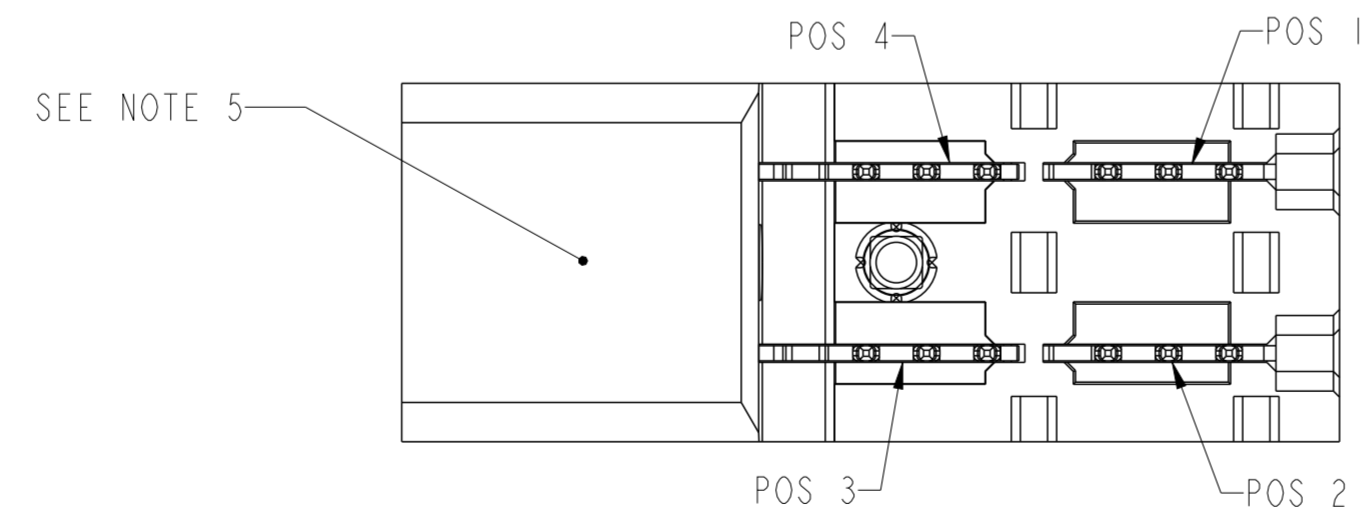
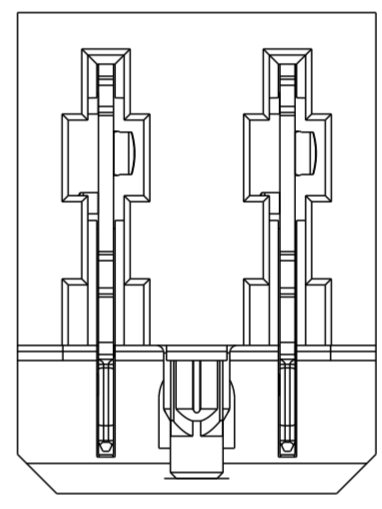
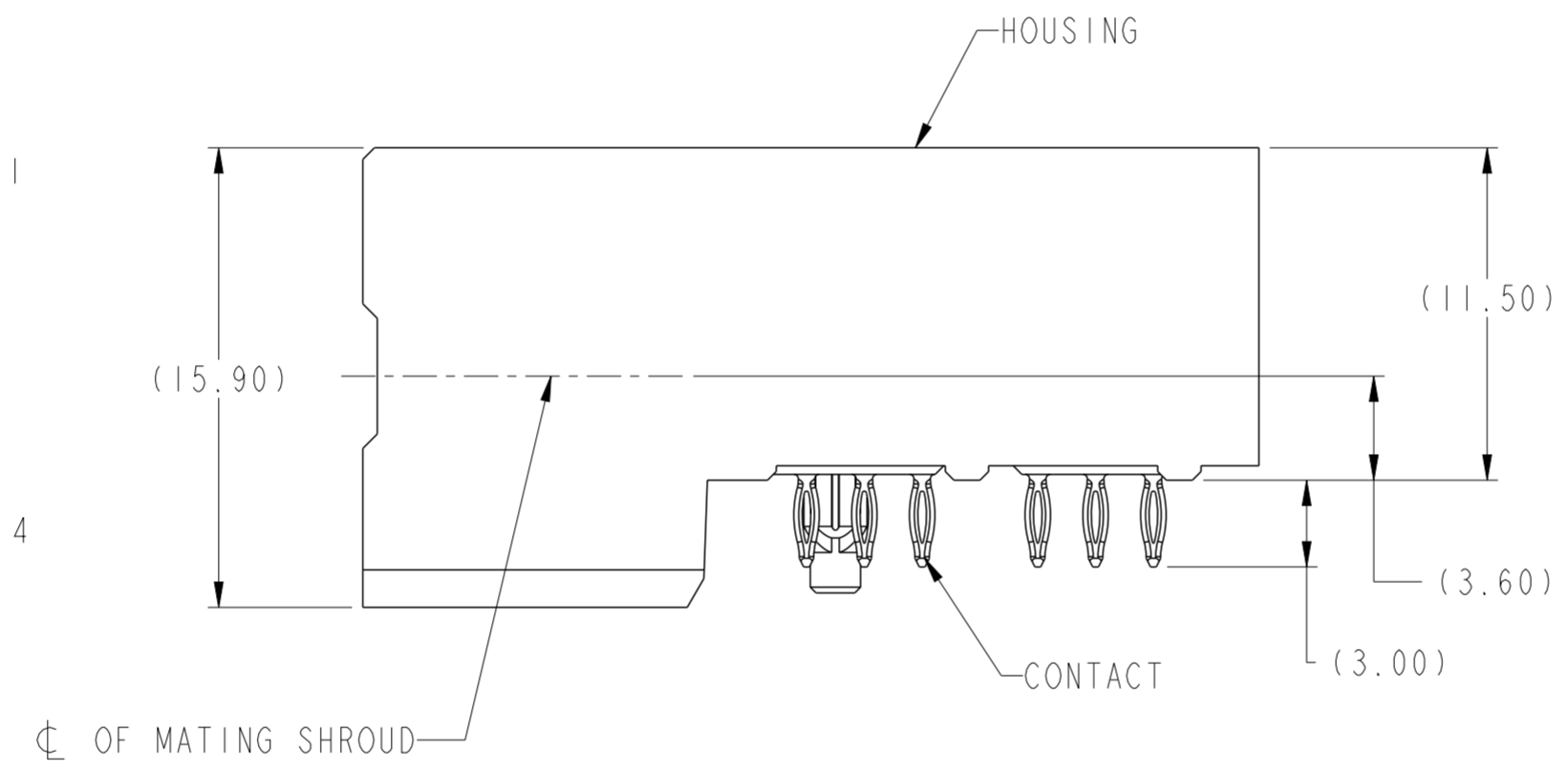
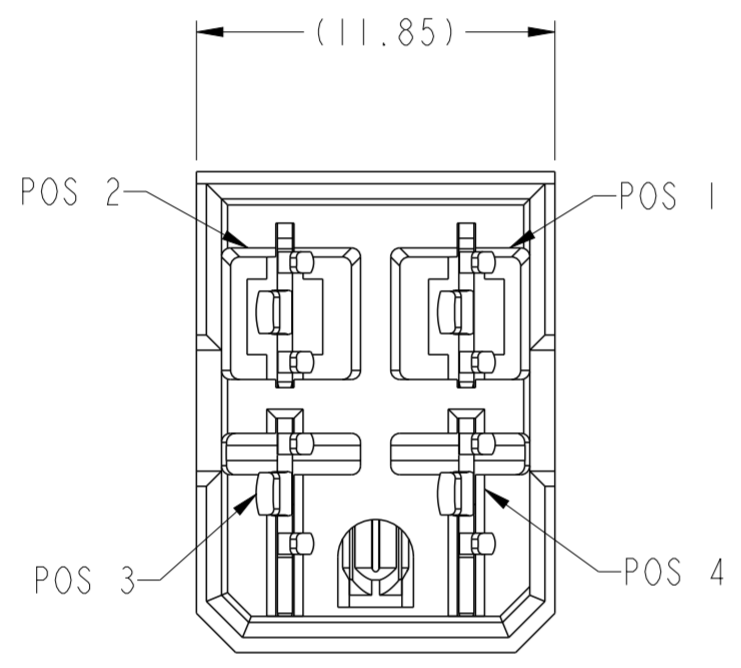


PRODUCT NUMBER	CONTACT PLATING NOTE
I0073379-001LF	NOTE 2



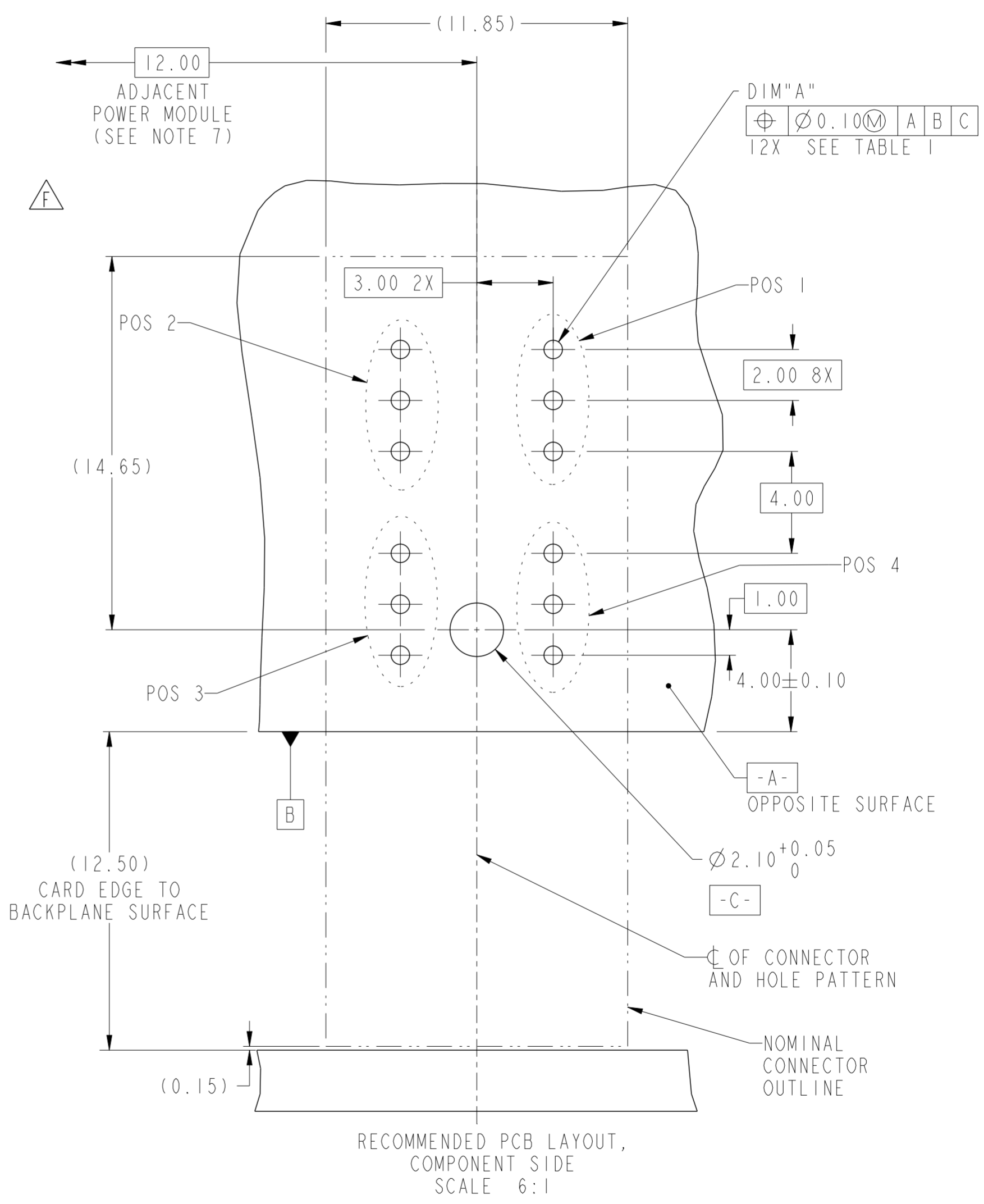
SCALE 3:1



Copyright FCI. FCI

spec ref	GS-12-220	dr	Chen-Hong Tan	2007/01/09	projection	MM	size	A2	scale	4:1
tolerance std	ASME Y14.5	eng	Suzie Nah	2014/07/14			ecn no	ELX-S-18277-1	rel level	Released
TOLERANCES UNLESS OTHERWISE SPECIFIED		chr	-	appr						
surface	<input checked="" type="checkbox"/> linear <input type="checkbox"/> angular	0.X ±0.3 0.XX ±0.10 0.XXX ±0.050			title R/A HEADER ASSY 2X2 AIRMAX POWER 11.5MM HEIGHT		dwg no I0073379	rev F	Product - Customer Drw sheet 1 of 2	
ASME Y14.5	angular	0° ±2°	www.fci.com		cat. no.	-	STATUS:Released		Printed: Aug 20, 2014	

TOP LAYER DESCRIPTION	TABLE 1 PLATED THROUGH-HOLE REQUIREMENTS							
	DRILLED HOLE DIAMETER	COPPER THICKNESS	TIN-LEAD THICKNESS	NICKEL THICKNESS	GOLD THICKNESS	TIN THICKNESS	SILVER THICKNESS	FINISHED HOLE DIAMETER (DIM"A")
TIN-LEAD	0.81-0.86 (0.85 DRILL)	0.025 - 0.050	0.005 - 0.015	--	--	--	--	0.65 - 0.80
IMMERSION TIN	0.81-0.86 (0.85 DRILL)	0.025 - 0.050	--	--	--	0.9 - 1.5um	--	0.70 - 0.80
IMMERSION SILVER	0.81-0.86 (0.85 DRILL)	0.025 - 0.050	--	--	--	--	0.15 - 0.65um	0.70 - 0.80
COPPER (SEE NOTE 11)	0.81-0.86 (0.85 DRILL)	0.025 - 0.050	--	--	--	--	--	0.70 - 0.80
GOLD	0.81-0.86 (0.85 DRILL)	0.025 - 0.050	--	0.003 - 0.007	FLASH UP TO 0.0002	--	--	0.69 - 0.80



- NOTES:
- CONNECTOR MATERIALS:  
HOUSING: HIGH TEMPERATURE THERMOPLASTIC, BLACK  
UL 94V-0 COMPLIANT  
CONTACT: HIGH PERFORMANCE COPPER ALLOY
  - CONTACT PLATING:  
PRESS-FIT TAIL: 0.5um MIN MATT TIN OVER NICKEL.  
SEPARABLE INTERFACE: 0.76um MIN GXT OVER NICKEL
  - PRODUCT SPECIFICATION: GS-12-220
  - APPLICATION SPECIFICATION: GS-20-023
  - PRODUCT MARKING (PRODUCT NUMBER & LOT CODE) ON HOUSING.
  - MINIMUM NOMINAL PCB THICKNESS: 1.6mm
  - REFER TO CUSTOMER DRAWING 10035911 FOR INFORMATION REGARDING PCB LAYOUT OF POWER AND GUIDE MODULES RELATIVE TO SIGNAL MODULES.
  - PRODUCT MEETS EUROPEAN UNION DIRECTIVES AND OTHER COUNTRY REGULATIONS AS DESCRIBED IN FCI SPECIFICATION GS-22-008.
  - PACKAGING MEETS FCI SPECIFICATION GS-14-920.
  - HOUSING COMPONENT WILL WITHSTAND EXPOSURE TO 260°C PEAK TEMPERATURE FOR 60 SECONDS IN A CONVECTION, INFRA-RED, OR VAPOR PHASE REFLOW OVEN.
  - COPPER PLATING THICKNESS IN CENTER OF VIA-HOLE CAN BE NO MORE THAN 0.003 LESS THAN OTHER AREAS.
  - A  $\triangle$  SYMBOL WILL BE NEXT TO ANY DIMENSION, VIEW, OR NOTE WHICH HAS BEEN MODIFIED WITH THE CURRENT DRAWING REVISION

spec ref	GS-12-220	dr	Chen-Hong Tan	2007/01/09	projection	MM	size	A2	scale	1:1
tolerance std	ASME Y14.5	eng	Suzie Nah	2014/07/14	chr	-	ecn no	ELX-S-18277-1	rel level	Released
surface	linear	0.X	±0.3	0.XX	±0.10	0.XXX	±0.050	product family	-	cat. no.
ASME Y14.5	angular	0°	±2°	FCI		R/A HEADER ASSY 2X2		10073379	rev	F
		www.fci.com		Product - Customer Drw		sheet 2 of 2				

Copyright FCI. FCI