



Is Now Part of



**ON Semiconductor®**

To learn more about ON Semiconductor, please visit our website at  
[www.onsemi.com](http://www.onsemi.com)

ON Semiconductor and the ON Semiconductor logo are trademarks of Semiconductor Components Industries, LLC dba ON Semiconductor or its subsidiaries in the United States and/or other countries. ON Semiconductor owns the rights to a number of patents, trademarks, copyrights, trade secrets, and other intellectual property. A listing of ON Semiconductor's product/patent coverage may be accessed at [www.onsemi.com/site/pdf/Patent-Marking.pdf](http://www.onsemi.com/site/pdf/Patent-Marking.pdf). ON Semiconductor reserves the right to make changes without further notice to any products herein. ON Semiconductor makes no warranty, representation or guarantee regarding the suitability of its products for any particular purpose, nor does ON Semiconductor assume any liability arising out of the application or use of any product or circuit, and specifically disclaims any and all liability, including without limitation special, consequential or incidental damages. Buyer is responsible for its products and applications using ON Semiconductor products, including compliance with all laws, regulations and safety requirements or standards, regardless of any support or applications information provided by ON Semiconductor. "Typical" parameters which may be provided in ON Semiconductor data sheets and/or specifications can and do vary in different applications and actual performance may vary over time. All operating parameters, including "Typicals" must be validated for each customer application by customer's technical experts. ON Semiconductor does not convey any license under its patent rights nor the rights of others. ON Semiconductor products are not designed, intended, or authorized for use as a critical component in life support systems or any FDA Class 3 medical devices or medical devices with a same or similar classification in a foreign jurisdiction or any devices intended for implantation in the human body. Should Buyer purchase or use ON Semiconductor products for any such unintended or unauthorized application, Buyer shall indemnify and hold ON Semiconductor and its officers, employees, subsidiaries, affiliates, and distributors harmless against all claims, costs, damages, and expenses, and reasonable attorney fees arising out of, directly or indirectly, any claim of personal injury or death associated with such unintended or unauthorized use, even if such claim alleges that ON Semiconductor was negligent regarding the design or manufacture of the part. ON Semiconductor is an Equal Opportunity/Affirmative Action Employer. This literature is subject to all applicable copyright laws and is not for resale in any manner.

# FDSS2407

## N-Channel Dual MOSFET

62V, 3.3A, 132mΩ

### Features

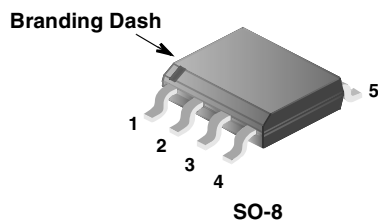
- 62V, 132mΩ, 5V Logic Level Gate Dual MOSFET in SO-8
- 5V Logic Level feedback signal of the drain to source voltage. Multiple devices can be wired "OR'd" to a single monitoring circuit input.
- Gate Drive Disable Input. Multiple devices controllable by a single disable transistor.
- Qualified to AEC Q101

### Applications

- Automotive Injector Driver
- Solenoid Driver

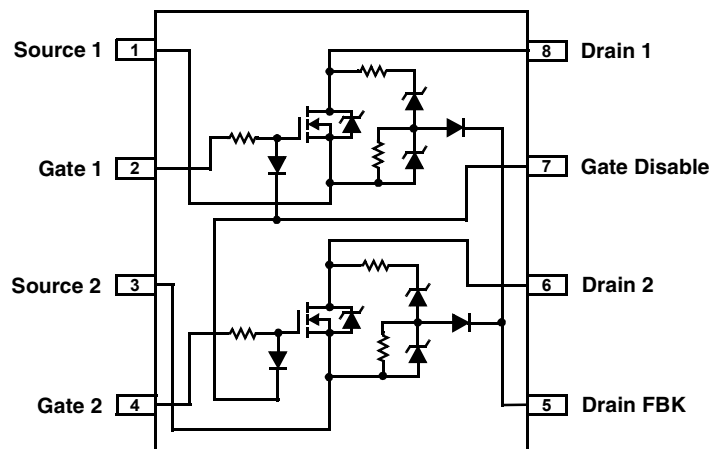
### General Description

This dual N-Channel MOSFET provides added functions as compared to a conventional Power MOSFET. These are: 1. A drain to source voltage feedback signal and 2. A gate drive disable control function that previously required external discrete circuitry. Including these functions within the MOSFET saves printed circuit board space. The drain to source voltage feedback function provides a 5V level output whenever the drain to source voltage is above 62V. This can monitor the time an inductive load takes to dissipate its stored energy. Multiple feedback signals can be wired "OR'd" together to a single input of the monitoring circuit. The gate disable function allows the device to be turned off independent of the drive signal on the gate. This function permits a second control circuit the ability to deactivate the load if necessary. It can also be wired "OR'd" allowing multiple devices to be controlled by a single open collector / drain control transistor.



Pin 5 - Drain Feedback Output  
Pin 7 - Gate Drive Disable Input

### Internal Diagram



**MOSFET Maximum Ratings**  $T_A=25^\circ\text{C}$  unless otherwise noted

| Symbol         | Parameter  | Ratings    | Units                |
|----------------|--|------------|----------------------|
| $V_{DSS}$      | Drain to Source Voltage  | 62         | V                    |
| $V_{GS}$       | Gate to Source Voltage   | $\pm 20$   | V                    |
| $I_D$          | Drain Current  |            |                      |
|                | Continuous ( $T_A = 25^\circ\text{C}$ , $V_{GS} = 10\text{V}$ , $R_{\theta JA} = 55^\circ\text{C/W}$ ) | 3.3        | A                    |
|                | Continuous ( $T_A = 25^\circ\text{C}$ , $V_{GS} = 5\text{V}$ , $R_{\theta JA} = 55^\circ\text{C/W}$ )  | 3.0        | A                    |
|                | Pulsed   | Figure 4   | A                    |
| $E_{AS}$       | Single Pulse Avalanche Energy ( Note 1)  | 140        | mJ                   |
| $P_D$          | Power dissipation  | 2.27       | W                    |
|                | Derate above $25^\circ\text{C}$  | 18         | mW/ $^\circ\text{C}$ |
| $T_J, T_{STG}$ | Operating and Storage Temperature  | -55 to 150 | $^\circ\text{C}$     |

**Thermal Characteristics**

|                 |   |     |                    |
|-----------------|---|-----|--------------------|
| $R_{\theta JA}$ | Pad Area = 0.50 in <sup>2</sup> (323 mm <sup>2</sup> ) (Note 2)   | 55  | $^\circ\text{C/W}$ |
| $R_{\theta JA}$ | Pad Area = 0.027 in <sup>2</sup> (17.4 mm <sup>2</sup> ) (Note 3) | 180 | $^\circ\text{C/W}$ |
| $R_{\theta JA}$ | Pad Area = 0.006 in <sup>2</sup> (3.87 mm <sup>2</sup> ) (Note 4) | 200 | $^\circ\text{C/W}$ |

**Package Marking and Ordering Information**

| Device Marking | Device   | Package | Reel Size | Tape Width | Quantity |
|----------------|----------|---------|-----------|------------|----------|
| 2407           | FDSS2407 | SO-8    | 330 mm    | 12 mm      | 2500     |

**Electrical Characteristics**  $T_A = 25^\circ\text{C}$  unless otherwise noted

| Symbol | Parameter | Test Conditions | Min | Typ | Max | Units |
|--------|-----------|-----------------|-----|-----|-----|-------|
|--------|-----------|-----------------|-----|-----|-----|-------|

**Off Characteristics**

|            |                                   |   |    |   |           |               |
|------------|-----------------------------------|---|----|---|-----------|---------------|
| $B_{VDSS}$ | Drain to Source Breakdown Voltage | $I_D = 5\text{mA}$ , $V_{GS} = 0\text{V}$                                   | 62 | - | -         | V             |
| $I_{DSS}$  | Zero Gate Voltage Drain Current   | $V_{DS} = 15\text{V}$ , $V_{GS} = 0\text{V}$                                | -  | - | 1         | $\mu\text{A}$ |
|            |                                   | $V_{DS} = 15\text{V}$ , $V_{GS} = 0\text{V}$ ,<br>$T_A = 150^\circ\text{C}$ | -  | - | 250       |               |
| $I_{GSS}$  | Gate to Source Leakage Current    | $V_{GS} = \pm 20\text{V}$   | -  | - | $\pm 100$ | nA            |

**On Characteristics**

|              |                                  |   |   |       |       |          |
|--------------|----------------------------------|---|---|-------|-------|----------|
| $V_{GS(TH)}$ | Gate to Source Threshold Voltage | $V_{GS} = V_{DS}$ , $I_D = 250\mu\text{A}$  | 1 | -     | 3     | V        |
| $r_{DS(ON)}$ | Drain to Source On Resistance    | $I_D = 3.3\text{A}$ , $V_{GS} = 10\text{V}$ | - | 0.099 | 0.110 | $\Omega$ |
|              |                                  | $I_D = 3.0\text{A}$ , $V_{GS} = 5\text{V}$  | - | 0.115 | 0.132 |          |

**Dynamic Characteristics**

|            |                                  |  |  |      |     |          |    |
|------------|----------------------------------|--|--|------|-----|----------|----|
| $C_{ISS}$  | Input Capacitance                | $V_{DS} = 15\text{V}$ , $V_{GS} = 0\text{V}$ ,<br>$f = 75\text{kHz}$ | -  | 300  | -   | pF       |    |
| $C_{OSS}$  | Output Capacitance               |  | -  | 140  | -   | pF       |    |
| $C_{RSS}$  | Reverse Transfer Capacitance     |  | -  | 16   | -   | pF       |    |
| $R_G$      | Gate Resistance                  |  | -  | 8500 | -   | $\Omega$ |    |
| $Q_g(TOT)$ | Total Gate Charge at 5V          | $V_{GS} = 0\text{V}$ to $5\text{V}$                                  | $V_{DD} = 30\text{V}$<br>$I_D = 3.3\text{A}$<br>$I_g = 1.0\text{mA}$ | -    | 3.3 | 4.3      | nC |
| $Q_g(TH)$  | Threshold Gate Charge            | $V_{GS} = 0\text{V}$ to $1\text{V}$                                  |  | -    | 0.4 | 0.5      | nC |
| $Q_{gs}$   | Gate to Source Gate Charge       |  |  | -    | 1.2 | -        | nC |
| $Q_{gs2}$  | Gate Charge Threshold to Plateau |  |  | -    | 0.8 | -        | nC |
| $Q_{gd}$   | Gate to Drain "Miller" Charge    |  |  | -    | 2.0 | -        | nC |

**Switching Characteristics** ( $V_{GS} = 10V$ )

|              |                     |   |   |      |       |    |
|--------------|---------------------|---|---|------|-------|----|
| $t_{ON}$     | Turn-On Time        | $V_{DD} = 30V, I_D = 3.3A$<br>$V_{GS} = 10V, R_{GS} = 47\Omega$ | - | -    | 2700  | ns |
| $t_{d(ON)}$  | Turn-On Delay Time  |   | - | 630  | -     | ns |
| $t_r$        | Rise Time           |   | - | 1200 | -     | ns |
| $t_{d(OFF)}$ | Turn-Off Delay Time |   | - | 8700 | -     | ns |
| $t_f$        | Fall Time           |   | - | 3500 | -     | ns |
| $t_{OFF}$    | Turn-Off Time       |   | - | -    | 18500 | ns |

**Drain-Source Diode Characteristics**

|          |                               |  |   |   |      |    |
|----------|-------------------------------|--|---|---|------|----|
| $V_{SD}$ | Source to Drain Diode Voltage | $I_{SD} = 3.3A$                          | - | - | 1.25 | V  |
|          |                               | $I_{SD} = 1.7A$                          | - | - | 1.0  | V  |
| $t_{rr}$ | Reverse Recovery Time         | $I_{SD} = 3.3A, dI_{SD}/dt = 100A/\mu s$ | - | - | 45   | ns |
| $Q_{RR}$ | Reverse Recovered Charge      | $I_{SD} = 3.3A, dI_{SD}/dt = 100A/\mu s$ | - | - | 60   | nC |

**Drain Feedback Characteristics**

|                 |                            |  |     |     |     |   |
|-----------------|----------------------------|--|-----|-----|-----|---|
| $V_{FBK(Low)}$  | Feedback to Source Voltage | $V_{DS} = 35V, R_{FBK-SOURCE} = 51K\Omega$ | -   | 1   | 1.5 | V |
| $V_{FBK(High)}$ | Feedback to Source Voltage | $V_{DS} = 62V, R_{FBK-SOURCE} = 51K\Omega$ | 3.5 | 4.4 | -   | V |

**Gate Drive Disable Characteristics**

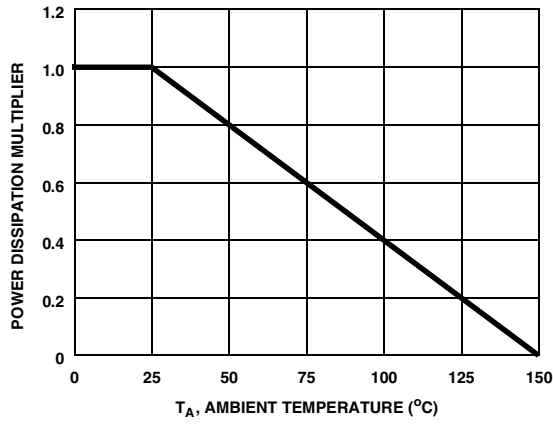
|                 |   |   |   |   |     |   |
|-----------------|---|---|---|---|-----|---|
| $V_{DIS(High)}$ | Gate Drive Disable Input Voltage, Gate Enabled  | $V_{GS} = 5V, I_D = 3.0A, T_J = 25^\circ C$                   | 3 | - | -   | V |
| $V_{DIS(Low)}$  | Gate Drive Disable Input Voltage, Gate Disabled | $V_{GS} = V_{DS} = 10V, I_D \leq 250\mu A, T_J = 150^\circ C$ | - | - | 0.4 | V |

**Notes:**

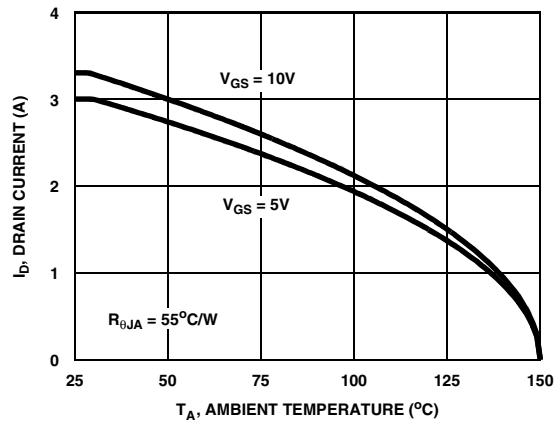
1. Starting  $T_J = 25^\circ C, L = 42mH, I_{AS} = 2.6A, V_{DD} = 62V, V_{GS} = 10V$ .
2.  $55^\circ C/W$  measured using FR-4 board with  $0.50 in^2$  ( $323 mm^2$ ) copper pad at 1 second.
3.  $180^\circ C/W$  measured using FR-4 board with  $0.027 in^2$  ( $17.4 mm^2$ ) copper pad at 1000 seconds.
4.  $200^\circ C/W$  measured using FR-4 board with  $0.006 in^2$  ( $3.87 mm^2$ ) copper pad at 1000 seconds.

This product has been designed to meet the extreme test conditions and environment demanded by the automotive industry. For a copy of the requirements, see AEC Q101 at: <http://www.aecouncil.com/>  
All Fairchild Semiconductor products are manufactured, assembled and tested under ISO9000 and QS9000 quality systems certification.

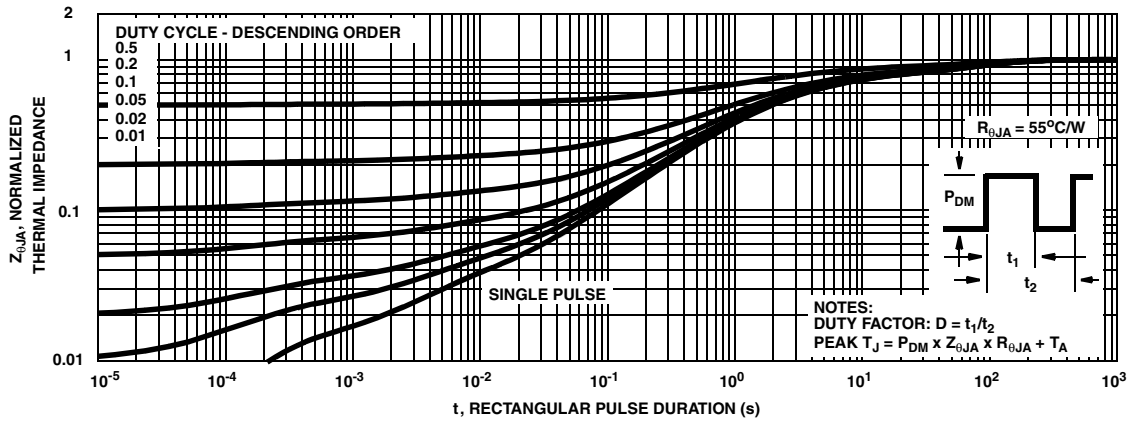
**Typical Characteristics**  $T_A = 25^\circ\text{C}$  unless otherwise noted



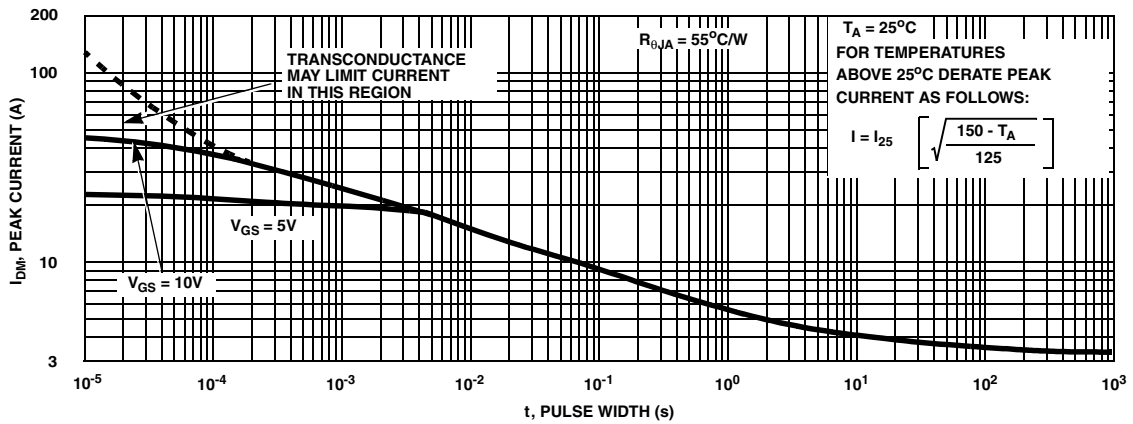
**Figure 1. Normalized Power Dissipation vs Ambient Temperature**



**Figure 2. Maximum Continuous Drain Current vs Ambient Temperature**

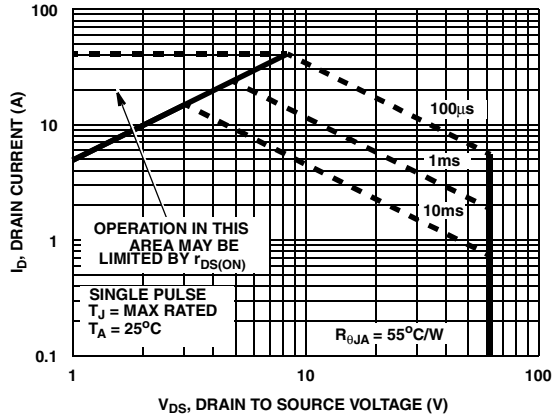


**Figure 3. Normalized Maximum Transient Thermal Impedance**

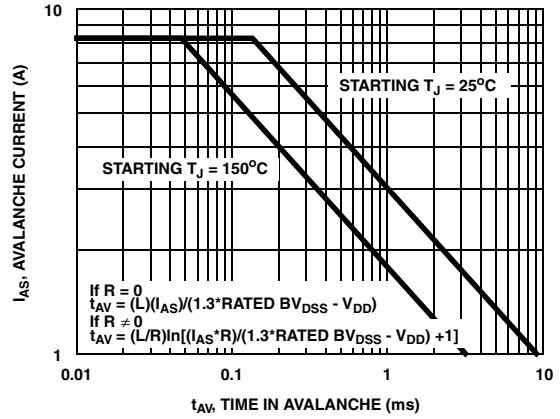


**Figure 4. Peak Current Capability**

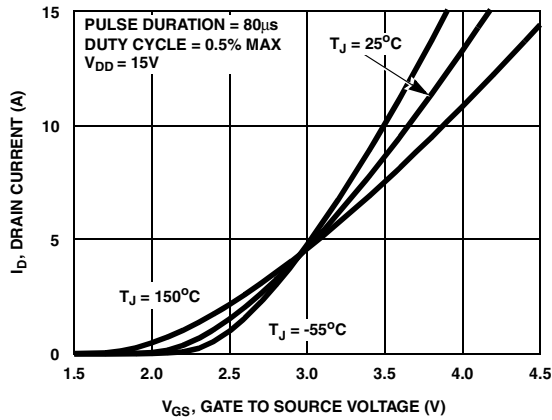
**Typical Characteristics** (Continued)  $T_A = 25^\circ\text{C}$  unless otherwise noted



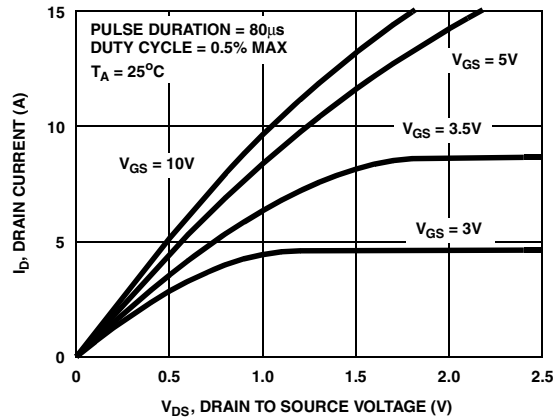
**Figure 5. Forward Bias Safe Operating Area**



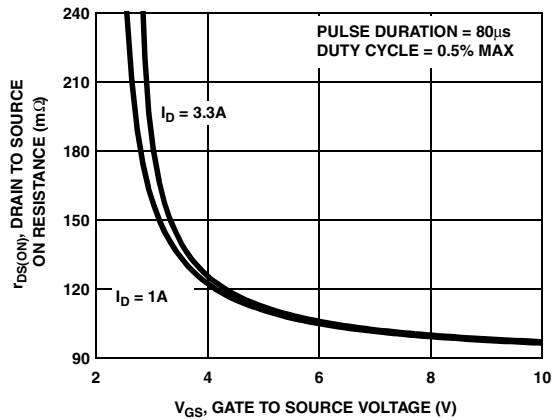
NOTE: Refer to Fairchild Application Notes AN7514 and AN7515  
**Figure 6. Unclamped Inductive Switching Capability**



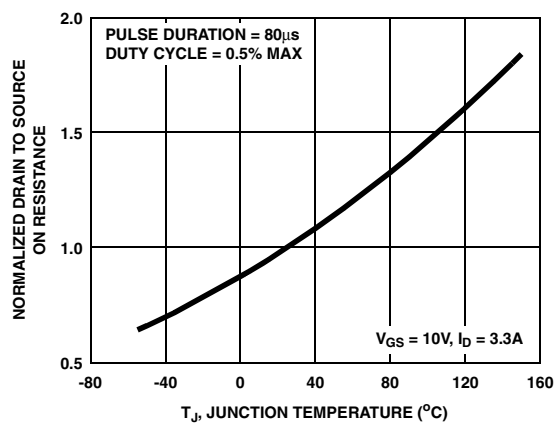
**Figure 7. Transfer Characteristics**



**Figure 8. Saturation Characteristics**

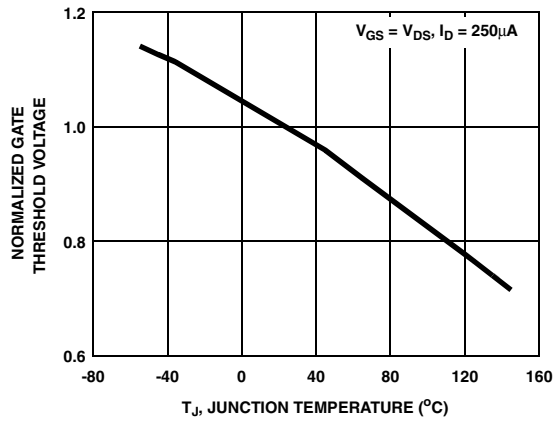


**Figure 9. Drain to Source On Resistance vs Gate Voltage and Drain Current**

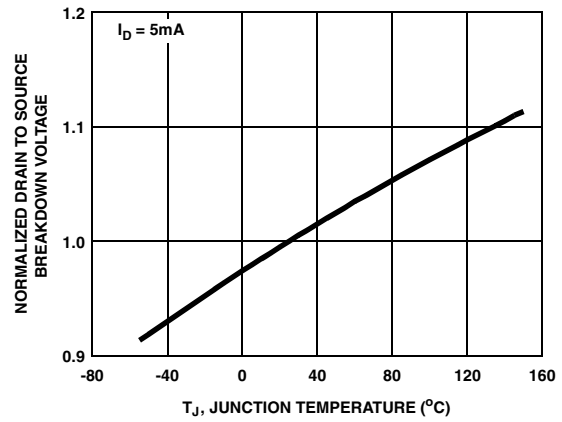


**Figure 10. Normalized Drain to Source On Resistance vs Junction Temperature**

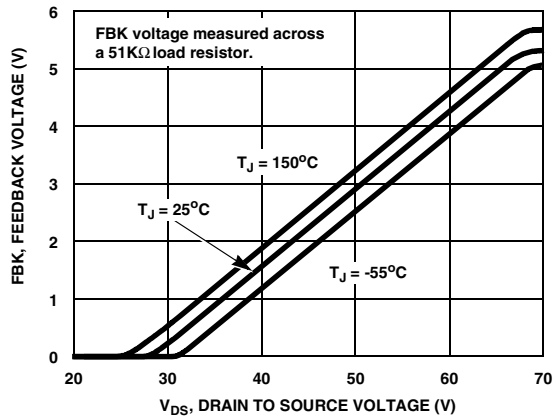
**Typical Characteristics** (Continued)  $T_A = 25^\circ\text{C}$  unless otherwise noted



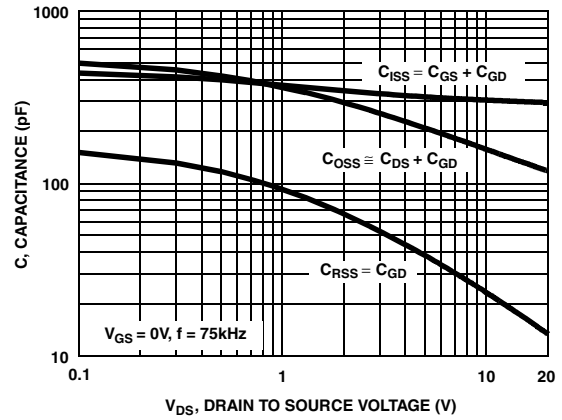
**Figure 11. Normalized Gate Threshold Voltage vs Junction Temperature**



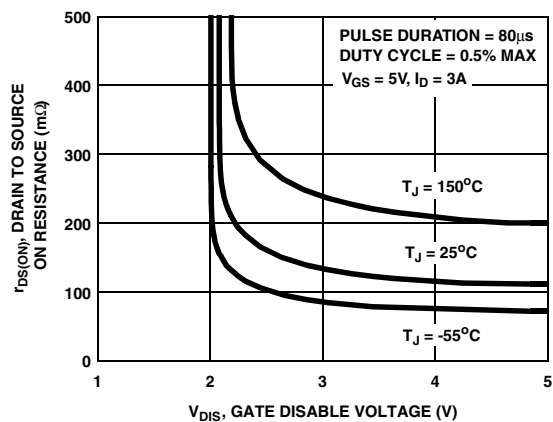
**Figure 12. Normalized Drain to Source Breakdown Voltage vs Junction Temperature**



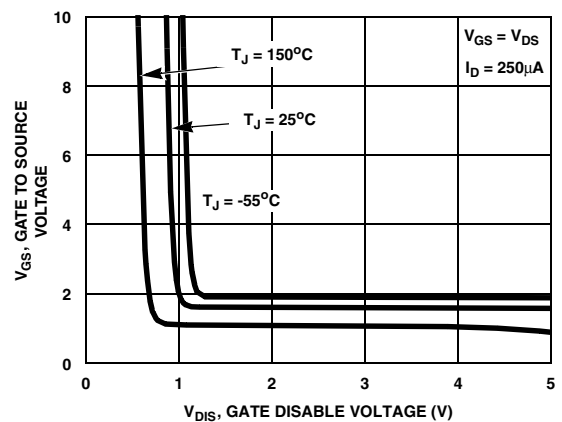
**Figure 13. Feedback Voltage vs Drain to Source Voltage**



**Figure 14. Capacitance vs Drain to Source Voltage**



**Figure 15. Drain to Source On Resistance vs Gate Disable Voltage**



**Figure 16. Gate to Source Voltage vs Gate Disable Voltage**

**Typical Characteristics** (Continued)  $T_A = 25^\circ\text{C}$  unless otherwise noted

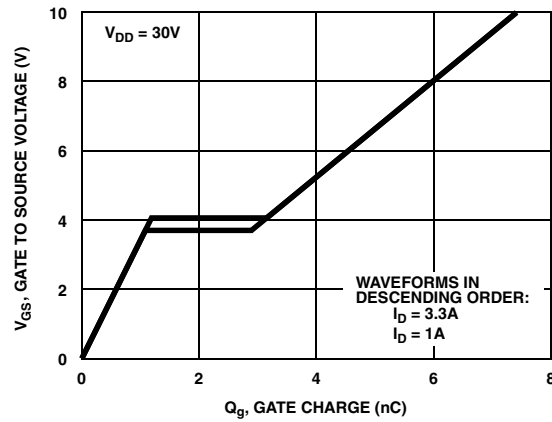


Figure 17. Gate Charge Waveforms for Constant Gate Currents

**Test Circuits and Waveforms**

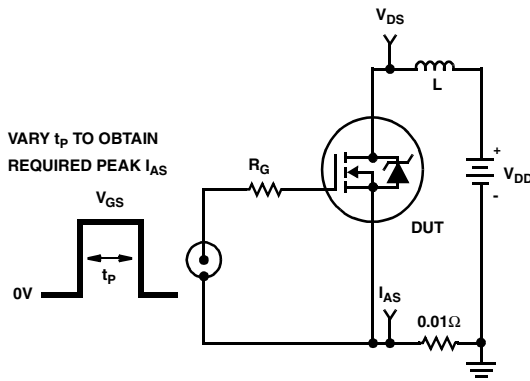


Figure 18. Unclamped Energy Test Circuit

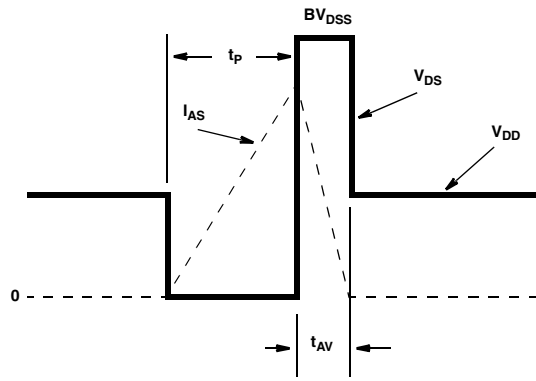


Figure 19. Unclamped Energy Waveforms

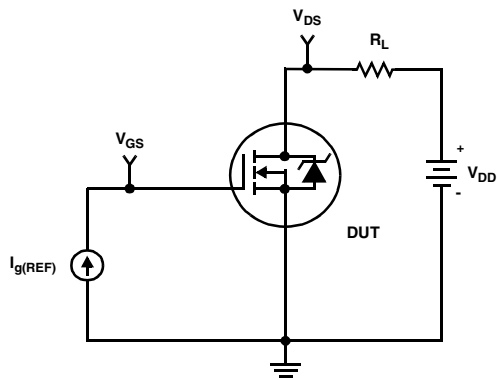


Figure 20. Gate Charge Test Circuit

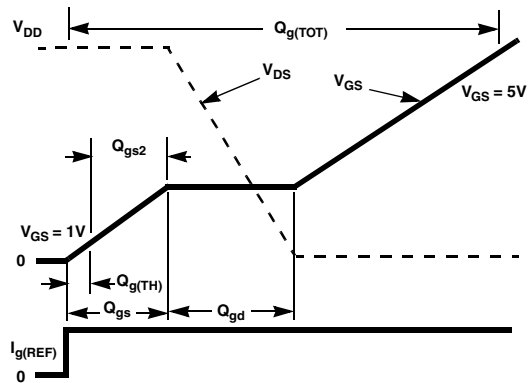
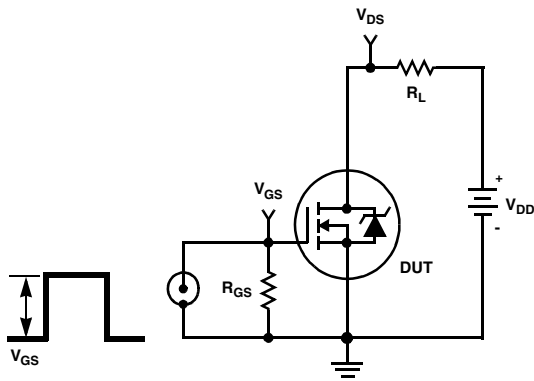


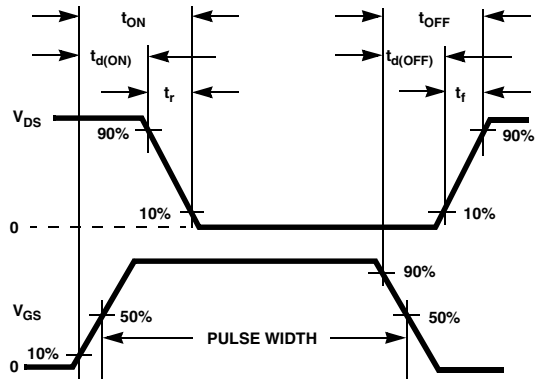
Figure 21. Gate Charge Waveforms



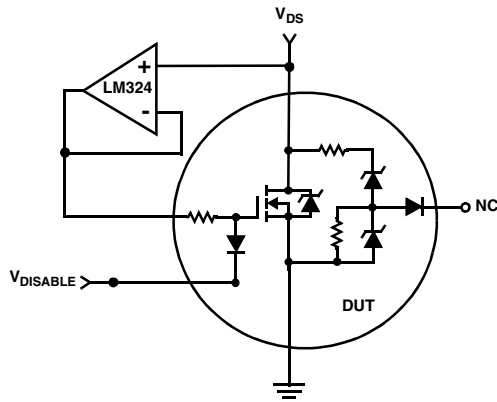
**Test Circuits and Waveforms (Continued)**



**Figure 22. Switching Time Test Circuit**



**Figure 23. Switching Time Waveforms**



**Figure 24. Gate to Source Voltage vs Gate Disable Voltage**

### Thermal Resistance vs. Mounting Pad Area

The maximum rated junction temperature,  $T_{JM}$ , and the thermal resistance of the heat dissipating path determines the maximum allowable device power dissipation,  $P_{DM}$ , in an application. Therefore the application's ambient temperature,  $T_A$  ( $^{\circ}C$ ), and thermal resistance  $R_{\theta JA}$  ( $^{\circ}C/W$ ) must be reviewed to ensure that  $T_{JM}$  is never exceeded. Equation 1 mathematically represents the relationship and serves as the basis for establishing the rating of the part.

$$P_{DM} = \frac{(T_{JM} - T_A)}{R_{\theta JA}} \quad (EQ. 1)$$

In using surface mount devices such as the SO8 package, the environment in which it is applied will have a significant influence on the part's current and maximum power dissipation ratings. Precise determination of  $P_{DM}$  is complex and influenced by many factors:

1. Mounting pad area onto which the device is attached and whether there is copper on one side or both sides of the board.
2. The number of copper layers and the thickness of the board.
3. The use of external heat sinks.
4. The use of thermal vias.
5. Air flow and board orientation.
6. For non steady state applications, the pulse width, the duty cycle and the transient thermal response of the part, the board and the environment they are in.

Fairchild provides thermal information to assist the designer's preliminary application evaluation. Figure 25 defines the  $R_{\theta JA}$  for the device as a function of the top copper (component side) area. This is for a horizontally positioned FR-4 board with 1oz copper after 1000 seconds of steady state power with no air flow. This graph provides the necessary information for calculation of the steady state junction temperature or power dissipation. Pulse applications can be evaluated using the Fairchild device Spice thermal model or manually utilizing the normalized

maximum transient thermal impedance curve.

Thermal resistances corresponding to other copper areas can be obtained from Figure 25 or by calculation using Equation 2. The area, in square inches is the top copper area including the gate and source pads.

$$R_{\theta JA} = 79.9 + \frac{15}{0.14 + Area} \quad (EQ. 2)$$

The transient thermal impedance ( $Z_{\theta JA}$ ) is also effected by varied top copper board area. Figure 26 shows the effect of copper pad area on single pulse transient thermal impedance. Each trace represents a copper pad area in square inches corresponding to the descending list in the graph. Spice and SABER thermal models are provided for each of the listed pad areas.

Copper pad area has no perceivable effect on transient thermal impedance for pulse widths less than 100ms. For pulse widths less than 100ms the transient thermal impedance is determined by the die and package. Therefore, C THERM1 through C THERM5 and R THERM1 through R THERM5 remain constant for each of the thermal models. A listing of the model component values is available in Table 1.

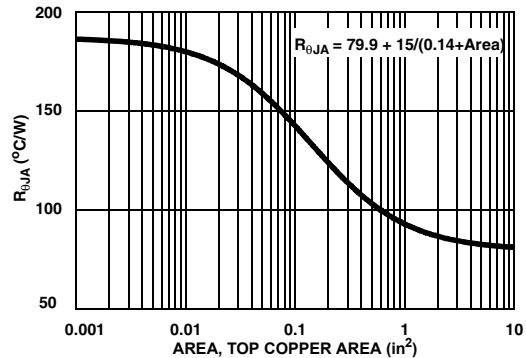


Figure 25. Thermal Resistance vs Mounting Pad Area

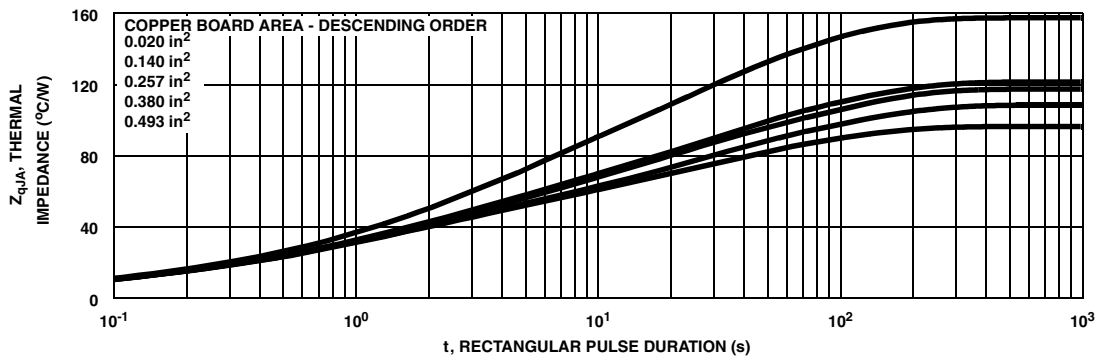


Figure 26. Thermal Impedance vs Mounting Pad Area

# PSPICE Electrical Model

.SUBCKT FDSS2407 2 1 3 101 102 ; rev July 2004

Ca 12 8 1e-10

Cb 15 14 4e-10

Cin 6 8 2.8e-10

Dbody 7 5 DbodyMOD

Dbreak 5 11 DbreakMOD

Dplcap 10 5 DplcapMOD

CGATE 9 20 5e-9

DDISABLE 20 101 DDISABLEMOD

DFBK1 104 103 DFBK1MOD

DFBK2 7 104 DFBK2MOD

DFBK3 104 102 DFBK3MOD

RFBK1 5 103 RFBK1MOD 13e3

RFBK2 104 7 RFBK2MOD 2.15e3

Ebreak 11 7 17 18 67.4

Eds 14 8 5 8 1

Egs 13 8 6 8 1

Esg 6 10 6 8 1

Evthres 6 21 19 8 1

Evtemp 20 6 18 22 1

It 8 17 1

Lgate 1 9 1.8e-9

Ldrain 2 5 1.0e-9

Lsource 3 7 0.6e-9

RLgate 1 9 18

RLdrain 2 5 10

RLsource 3 7 6

Mmed 16 6 8 8 MmedMOD

Mstro 16 6 8 8 MstroMOD

Mweak 16 21 8 8 MweakMOD

Rbreak 17 18 RbreakMOD 1

Rdrain 50 16 RdrainMOD 3.5e-2

Rgate 9 20 RgateMOD 8.63e3

RSLC1 5 51 RSLCMOD 1e-6

RSLC2 5 50 1e3

Rsource 8 7 RsourceMOD 5.3e-2

Rvthres 22 8 RvthresMOD 1

Rvtemp 18 19 RvtempMOD 1

S1a 6 12 13 8 S1AMOD

S1b 13 12 13 8 S1BMOD

S2a 6 15 14 13 S2AMOD

S2b 13 15 14 13 S2BMOD

Vbat 22 19 DC 1

ESLC 51 50 VALUE={(V(5,51)/ABS(V(5,51)))\*(PWR(V(5,51)/(1e-6\*20),3.5))}

.MODEL DbodyMOD D (IS=1.1E-12 N=1.05 IKF=4e-1 RS=4.2e-2 TRS1=3e-4 TRS2=1.3e-6

+ CJO=3.3e-10 TT=3e-8 M=0.38, XTI=3.5)

.MODEL DbreakMOD D (RS=1 TRS1=1e-3 TRS2=-9e-6)

.MODEL DplcapMOD D (CJO=1.97e-10 IS=1e-30 N=10 M=0.84)

.MODEL DDISABLEMOD D (RS=30 IS=1e-15 BV=4.7 TBV1=-3e-4 TBV2=-3e-6 XTI=0)

.MODEL DFBK1MOD D (IS=1e-15 BV=23.8 IKF=2 TBV1=-6e-4 TBV2=6e-6)

.MODEL DFBK2MOD D (RS=1 IS=1e-30 BV=5.6 N=3.3 NBV=1)

.MODEL DFBK3MOD D (RS=1 IS=1e-15 BV=4.2 NBV=2.5)

.MODEL MmedMOD NMOS (VTO=1.7 KP=1.08 IS=1e-30 N=10 TOX=1 L=1u W=1u RG= 8.56e3)

.MODEL MstroMOD NMOS (VTO=2 KP=14 IS=1e-30 N=10 TOX=1 L=1u W=1u)

.MODEL MweakMOD NMOS (VTO=1.5 kp=0.04 IS=1e-30 N=10 TOX=1 L=1u W=1u RG= 8.56e4 RS=0.1)

.MODEL RbreakMOD RES (TC1=1.05e-3 TC2=-9e-7)

.MODEL RdrainMOD RES (TC1=9e-3 TC2=2.7e-5)

.MODEL RSLCMOD RES (TC1=2e-3 TC2=6e-6)

.MODEL RsourceMOD RES (TC1=3e-3 TC2=1e-6)

.MODEL RvthresMOD RES (TC1=-1.1e-3 TC2=-3.3e-6)

.MODEL RvtempMOD RES (TC1=-1.6e-3 TC2=1e-7)

.MODEL RFBK1MOD RES (TC1=-1.4e-3 TC2=1e-6)

.MODEL RFBK2MOD RES (TC1=-1.4e-3 TC2=1e-6)

.MODEL RgateMOD RES (TC1=-1.4e-3 TC2=1e-5)

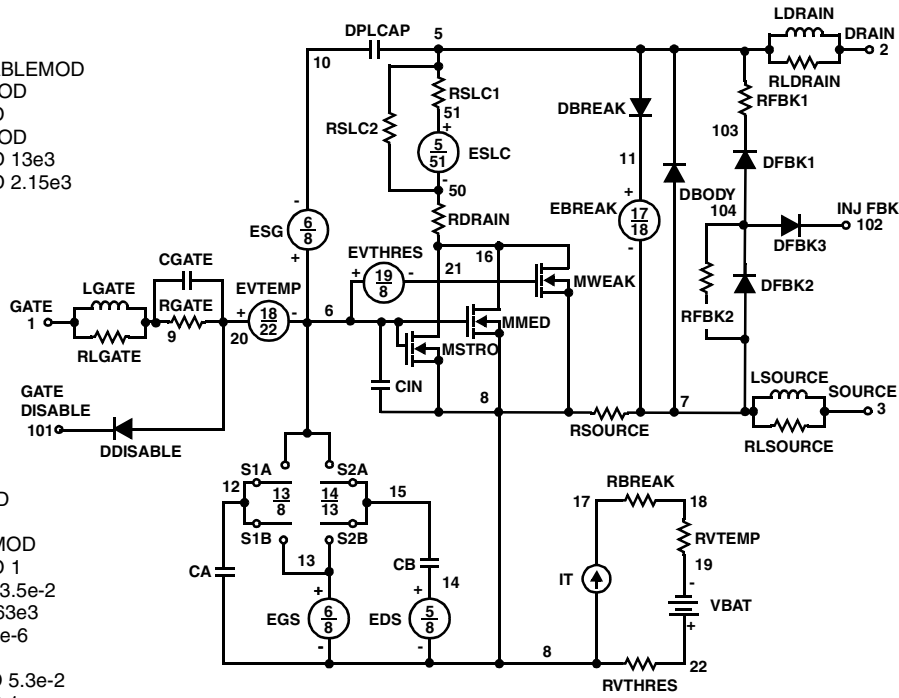
.MODEL S1AMOD VSWITCH (RON=1e-5 ROFF=0.1 VON=-4.0 VOFF=-3.0)

.MODEL S1BMOD VSWITCH (RON=1e-5 ROFF=0.1 VON=-3.0 VOFF=-4.0)

.MODEL S2AMOD VSWITCH (RON=1e-5 ROFF=0.1 VON=-1.0 VOFF=-0.5)

.MODEL S2BMOD VSWITCH (RON=1e-5 ROFF=0.1 VON=-0.5 VOFF=-1.0)

.ENDS



Note: For further discussion of the PSPICE model, consult **A New PSPICE Sub-Circuit for the Power MOSFET Featuring Global Temperature Options**; IEEE Power Electronics Specialist Conference Records, 1991, written by William J. Hepp and C. Frank Wheatley.

FDSS2407 N-Channel Dual MOSFET

### SABER Electrical Model

REV July 2004

template FDSS2407 n2,n1,n3,n101,n102  
 electrical n2,n1,n3,n101,n102

```
{
var i iscl
dp..model dbodymod = (isl=1.1e-12,nl=1.05,ikf=4e-1,rs=4.2e-2,trs1=3e-4,trs2=1.3e-6,cjo=3.3e-10,tt=3e-8,m=0.38,xti=3.5)
dp..model dbreakmod = (rs=1,trs1=1e-3,trs2=-9e-6)
dp..model ddisablemod = (rs=30,isl=1e-15,bv=4.7,tbv1=-3e-4,tbv2=-3e-6,xti=0)
dp..model dfbk1mod = (isl=1e-15,bv=23.8,ikf=2,tbv1=-6e-4,tbv2=6e-6)
dp..model dfbk2mod = (rs=1,isl=1e-30,bv=5.6,nl=3.3,nbv=1)
dp..model dfbk3mod = (rs=1,isl=1e-15,bv=4.2,nbv=2.5)
dp..model dplcapmod = (cjo=1.97e-10,isl=10e-30,nl=10,m=0.84)
```

```
m..model mmedmod = (type=_n,vto=1.7,kp=1.08,is=1e-30,tox=1)
m..model mstrongmod = (type=_n,vto=2,kp=14,is=1e-30,tox=1)
m..model mweakmod = (type=_n,vto=1.5,kp=0.04,is=1e-30,tox=1,rs=0.1)
m.mmed n16 n6 n8 n8 = model=mmedmod, l=1u, w=1u
m.mstrong n16 n6 n8 n8 = model=mstrongmod, l=1u, w=1u
m.mweak n16 n21 n8 n8 = model=mweakmod, l=1u, w=1u
```

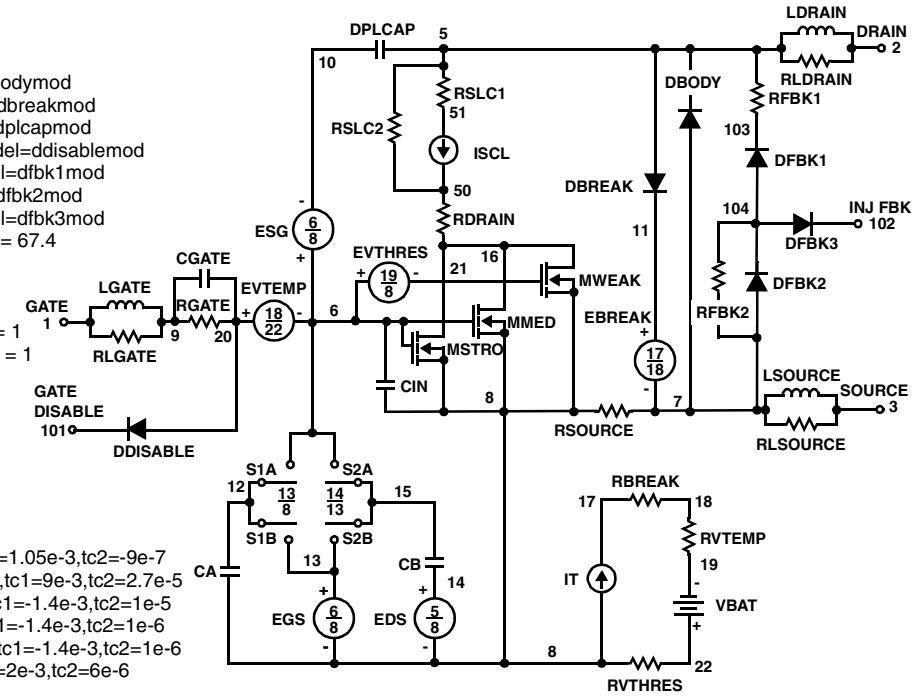
```
sw_vcsp..model s1amod = (ron=1e-5,roff=0.1,von=-4.0,voff=-3.0)
sw_vcsp..model s1bmod = (ron=1e-5,roff=0.1,von=-3.0,voff=-4.0)
sw_vcsp..model s2amod = (ron=1e-5,roff=0.1,von=-1.0,voff=-0.5)
sw_vcsp..model s2bmod = (ron=1e-5,roff=0.1,von=-0.5,voff=-1.0)
```

```
c.ca n12 n8 = 1e-10
c.cb n15 n14 = 4e-10
c.cin n6 n8 = 2.8e-10
c.cgate n9 n20 = 5e-9
```

```
dp.dbody n7 n5 = model=dbodymod
dp.dbreak n5 n11 = model=dbreakmod
dp.dplcap n10 n5 = model=dplcapmod
dp.ddisable n20 n101 = model=ddisablemod
dp.dfbk1 n104 n103 = model=dfbk1mod
dp.dfbk2 n7 n104 = model=dfbk2mod
dp.dfbk3 n104 n102 = model=dfbk3mod
spe.ebreak n11 n7 n17 n18 = 67.4
spe.eds n14 n8 n5 n8 = 1
spe.egs n13 n8 n6 n8 = 1
spe.esg n6 n10 n6 n8 = 1
spe.evthres n6 n21 n19 n8 = 1
spe.evtemp n20 n6 n18 n22 = 1
```

```
i.it n8 n17 = 1
l.lgate n1 n9 = 1.8e-9
l.ldrain n2 n5 = 1.0e-9
l.lsource n3 n7 = 0.6e-9
res.rlgate n1 n9 = 18
res.rldrain n2 n5 = 10
res.rlsource n3 n7 = 6
res.rbreak n17 n18 = 1, tc1=1.05e-3,tc2=-9e-7
res.rdrain n5 n16 = 3.5e-2,tc1=9e-3,tc2=2.7e-5
res.rgate n9 n20 = 8.63e3,tc1=-1.4e-3,tc2=1e-5
res.rfbk1 n5 n103 = 13e3,tc1=-1.4e-3,tc2=1e-6
res.rfbk2 n104 n7 = 2.15e3,tc1=-1.4e-3,tc2=1e-6
res.rslc1 n5 n51 = 1e-6,tc1=2e-3,tc2=6e-6
res.rslc2 n5 n50 = 1e3
res.rsource n8 n7 = 5.3e-2,tc1=3e-3,tc2=1e-6
res.rvthres n22 n8 = 1,tc1=-1.1e-3,tc2=-3.3e-6
res.rvtemp n18 n19 = 1,tc1=-1.6e-3,tc2=1e-7
```

```
sw_vcsp.s1a n6 n12 n13 n8 = model=s1amod
sw_vcsp.s1b n13 n12 n13 n8 = model=s1bmod
sw_vcsp.s2a n6 n15 n14 n13 = model=s2amod
sw_vcsp.s2b n13 n15 n14 n13 = model=s2bmod
v.vbat n22 n19 = dc=1
equations {
i (n51->n50) +=iscl
iscl: v(n51,n50) = ((v(n5,n51)/(1e-9+abs(v(n5,n51)))))*((abs(v(n5,n51))*1e6/20)** 3.5))
}
}
```



### SPICE Thermal Model

REV July 2004  
 FDSS2407T  
 Copper Area =0.5 in<sup>2</sup>

CTHERM1 Junction c2 1.2e-4  
 CTHERM2 c2 c3 2e-3  
 CTHERM3 c3 c4 2e-2  
 CTHERM4 c4 c5 3.0e-2  
 CTHERM5 c5 c6 4e-2  
 CTHERM6 c6 c7 7e-2  
 CTHERM7 c7 c8 2e-1  
 CTHERM8 c8 Ambient 2.8

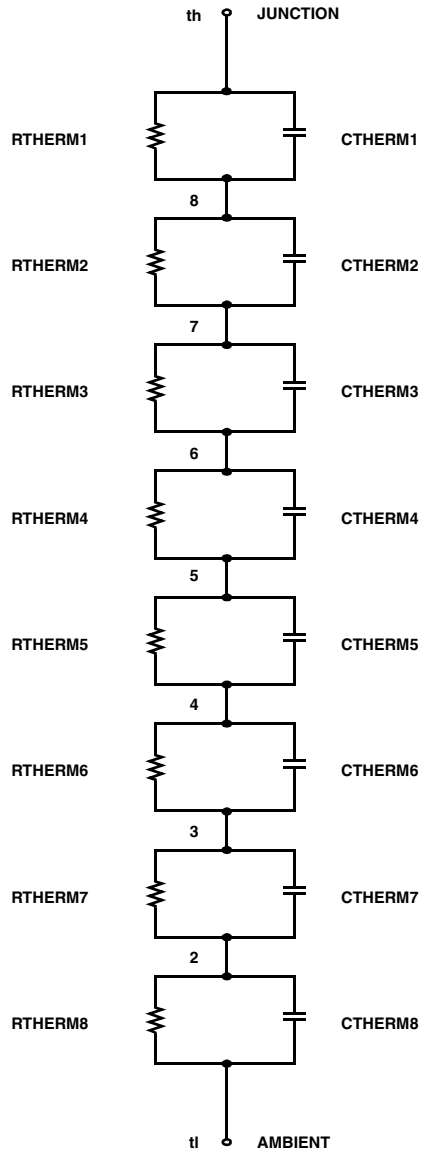
RTHERM1 Junction c2 1.4  
 RTHERM2 c2 c3 2.0  
 RTHERM3 c3 c4 2.8  
 RTHERM4 c4 c5 9.0  
 RTHERM5 c5 c6 18.0  
 RTHERM6 c6 c7 26.0  
 RTHERM7 c7 c8 28.0  
 RTHERM8 c8 Ambient 29.0

### SABER Thermal Model

Copper Area = 0.5 in<sup>2</sup>  
 template thermal\_model th tl  
 thermal\_c th, tl

```
{
  ctherm.ctherm1 th c2 =1.2e-4
  ctherm.ctherm2 c2 c3 =2e-3
  ctherm.ctherm3 c3 c4 =2e-2
  ctherm.ctherm4 c4 c5 =3.0e-2
  ctherm.ctherm5 c5 c6 =4e-2
  ctherm.ctherm6 c6 c7 =7e-2
  ctherm.ctherm7 c7 c8 =2e-1
  ctherm.ctherm8 c8 tl =2.8
}
```

```
rtherm.rtherm1 th c2 =1.4
rtherm.rtherm2 c2 c3 =2.0
rtherm.rtherm3 c3 c4 =2.8
rtherm.rtherm4 c4 c5 =9.0
rtherm.rtherm5 c5 c6 =18.0
rtherm.rtherm6 c6 c7 =26.0
rtherm.rtherm7 c7 c8 =28.0
rtherm.rtherm8 c8 tl =29.0
}
```



## TRADEMARKS

The following are registered and unregistered trademarks Fairchild Semiconductor owns or is authorized to use and is not intended to be an exhaustive list of all such trademarks.

|                                      |                     |                    |                     |                 |
|--------------------------------------|---------------------|--------------------|---------------------|-----------------|
| ACEx™                                | FACT Quiet Series™  | ImpliedDisconnect™ | POP™                | Stealth™        |
| ActiveArray™                         | FAST®               | IntelliMAX™        | Power247™           | SuperFET™       |
| Bottomless™                          | FASTr™              | ISOPLANAR™         | PowerEdge™          | SuperSOT™-3     |
| CoolFET™                             | FPST™               | LittleFET™         | PowerSaver™         | SuperSOT™-6     |
| CROSSVOLT™                           | FRFET™              | MICROCOUPLER™      | PowerTrench®        | SuperSOT™-8     |
| DOME™                                | GlobalOptoisolator™ | MicroFET™          | QFET®               | SyncFET™        |
| EcoSPARK™                            | GTO™                | MicroPak™          | QS™                 | TinyLogic®      |
| E <sup>2</sup> CMOS™                 | HiSeC™              | MICROWIRE™         | QT Optoelectronics™ | TINYOPTO™       |
| EnSigna™                             | I <sup>2</sup> C™   | MSX™               | Quiet Series™       | TruTranslation™ |
| FACT™                                | <i>i-Lo</i> ™       | MSXPro™            | RapidConfigure™     | UHC™            |
|                                      |                     | OCX™               | RapidConnect™       | UltraFET®       |
| Across the board. Around the world.™ |                     | OCXPro™            | µSerDes™            | UniFET™         |
| The Power Franchise®                 |                     | OPTOLOGIC®         | SILENT SWITCHER®    | VCX™            |
| Programmable Active Droop™           |                     | OPTOPLANAR™        | SMART START™        |                 |
|                                      |                     | PACMAN™            | SPM™                |                 |

## DISCLAIMER

FAIRCHILD SEMICONDUCTOR RESERVES THE RIGHT TO MAKE CHANGES WITHOUT FURTHER NOTICE TO ANY PRODUCTS HEREIN TO IMPROVE RELIABILITY, FUNCTION OR DESIGN. FAIRCHILD DOES NOT ASSUME ANY LIABILITY ARISING OUT OF THE APPLICATION OR USE OF ANY PRODUCT OR CIRCUIT DESCRIBED HEREIN; NEITHER DOES IT CONVEY ANY LICENSE UNDER ITS PATENT RIGHTS, NOR THE RIGHTS OF OTHERS.

## LIFE SUPPORT POLICY

FAIRCHILD'S PRODUCTS ARE NOT AUTHORIZED FOR USE AS CRITICAL COMPONENTS IN LIFE SUPPORT DEVICES OR SYSTEMS WITHOUT THE EXPRESS WRITTEN APPROVAL OF FAIRCHILD SEMICONDUCTOR CORPORATION.

As used herein:

- Life support devices or systems are devices or systems which, (a) are intended for surgical implant into the body, or (b) support or sustain life, or (c) whose failure to perform when properly used in accordance with instructions for use provided in the labeling, can be reasonably expected to result in significant injury to the user.
- A critical component is any component of a life support device or system whose failure to perform can be reasonably expected to cause the failure of the life support device or system, or to affect its safety or effectiveness.

## PRODUCT STATUS DEFINITIONS

### Definition of Terms

| Datasheet Identification | Product Status         | Definition  |
|--------------------------|------------------------|---|
| Advance Information      | Formative or In Design | This datasheet contains the design specifications for product development. Specifications may change in any manner without notice.  |
| Preliminary              | First Production       | This datasheet contains preliminary data, and supplementary data will be published at a later date. Fairchild Semiconductor reserves the right to make changes at any time without notice in order to improve design. |
| No Identification Needed | Full Production        | This datasheet contains final specifications. Fairchild Semiconductor reserves the right to make changes at any time without notice in order to improve design.   |
| Obsolete                 | Not In Production      | This datasheet contains specifications on a product that has been discontinued by Fairchild semiconductor. The datasheet is printed for reference information only.   |

Rev. I15

ON Semiconductor and  are trademarks of Semiconductor Components Industries, LLC dba ON Semiconductor or its subsidiaries in the United States and/or other countries. ON Semiconductor owns the rights to a number of patents, trademarks, copyrights, trade secrets, and other intellectual property. A listing of ON Semiconductor's product/patent coverage may be accessed at [www.onsemi.com/site/pdf/Patent-Marking.pdf](http://www.onsemi.com/site/pdf/Patent-Marking.pdf). ON Semiconductor reserves the right to make changes without further notice to any products herein. ON Semiconductor makes no warranty, representation or guarantee regarding the suitability of its products for any particular purpose, nor does ON Semiconductor assume any liability arising out of the application or use of any product or circuit, and specifically disclaims any and all liability, including without limitation special, consequential or incidental damages. Buyer is responsible for its products and applications using ON Semiconductor products, including compliance with all laws, regulations and safety requirements or standards, regardless of any support or applications information provided by ON Semiconductor. "Typical" parameters which may be provided in ON Semiconductor data sheets and/or specifications can and do vary in different applications and actual performance may vary over time. All operating parameters, including "Typicals" must be validated for each customer application by customer's technical experts. ON Semiconductor does not convey any license under its patent rights nor the rights of others. ON Semiconductor products are not designed, intended, or authorized for use as a critical component in life support systems or any FDA Class 3 medical devices or medical devices with a same or similar classification in a foreign jurisdiction or any devices intended for implantation in the human body. Should Buyer purchase or use ON Semiconductor products for any such unintended or unauthorized application, Buyer shall indemnify and hold ON Semiconductor and its officers, employees, subsidiaries, affiliates, and distributors harmless against all claims, costs, damages, and expenses, and reasonable attorney fees arising out of, directly or indirectly, any claim of personal injury or death associated with such unintended or unauthorized use, even if such claim alleges that ON Semiconductor was negligent regarding the design or manufacture of the part. ON Semiconductor is an Equal Opportunity/Affirmative Action Employer. This literature is subject to all applicable copyright laws and is not for resale in any manner.

## PUBLICATION ORDERING INFORMATION

### LITERATURE FULFILLMENT:

Literature Distribution Center for ON Semiconductor  
19521 E. 32nd Pkwy, Aurora, Colorado 80011 USA  
**Phone:** 303-675-2175 or 800-344-3860 Toll Free USA/Canada  
**Fax:** 303-675-2176 or 800-344-3867 Toll Free USA/Canada  
**Email:** [orderlit@onsemi.com](mailto:orderlit@onsemi.com)

**N. American Technical Support:** 800-282-9855 Toll Free  
USA/Canada  
**Europe, Middle East and Africa Technical Support:**  
Phone: 421 33 790 2910  
**Japan Customer Focus Center**  
Phone: 81-3-5817-1050

**ON Semiconductor Website:** [www.onsemi.com](http://www.onsemi.com)  
**Order Literature:** <http://www.onsemi.com/orderlit>  
For additional information, please contact your local  
Sales Representative