



PRODUCT DATASHEET

Emily series

last update 6/7/2016

DETAILS

Product Number	CA15359_EMILY-WW
Family	Emily
Type	Assembly
Color	clear
Diameter	26 mm
Height	14,75 mm
Style	round
Optic Material	PMMA
Holder Material	
Fastening	pin, tape
Status	production ready
ROHS Compliant	Yes
Date Updated	6/07/2016



OPTICAL PROPERTIES

LED	Viewing Angle	Light Beam	Efficiency	cd/lm	Connector
Oslon Square Gen3	44 deg	Very Wide	93 %	1.700	-

D

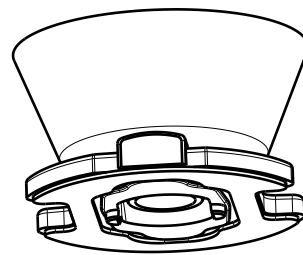
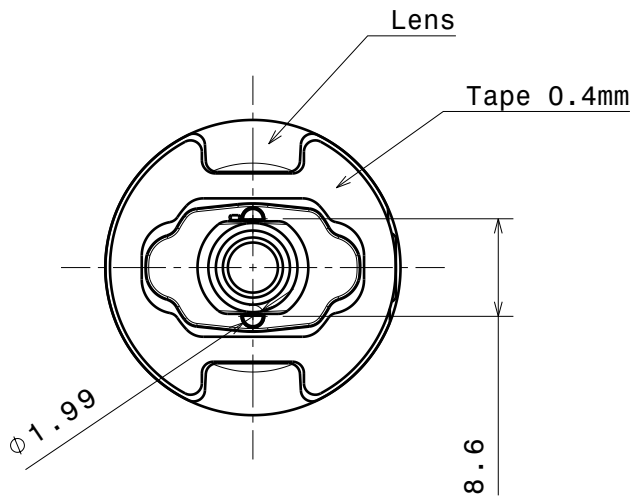
C

B

A

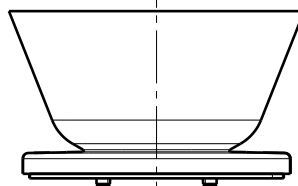
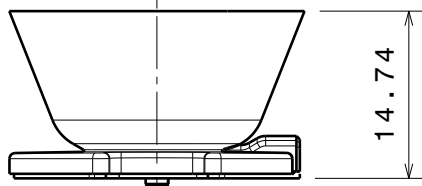
4

4



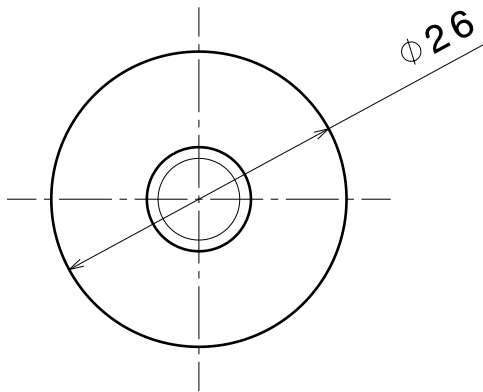
3

3



2

2



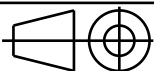
	C10253	Tape Double side adhesive	PU Foam	Black
	C15358	EMILY-WW	PMMA	Clear
INDEX	PART NO	DESCRIPTION	MATERIAL	COLOUR

Tolerances if not otherwise shown
According to DIN ISO 2768-1
Linear measures:
Up to 30mm class M, otherwise class C.
According to DIN ISO 2768-2
Form and position: class L

LEDiL

Ledil Oy
Salorankatu 10
FIN 24240 SALO
Finland

THIRD ANGLE PROJECTION:



DRAWING TITLE

CA15359_EMILY-WW

This drawing is the property of LEDiL Oy. It may not be reproduced, copied or communicated without a written agreement with LEDiL Oy.

SIZE PART NUMBER

A4

CA15359

SCALE 3:2 WEIGHT

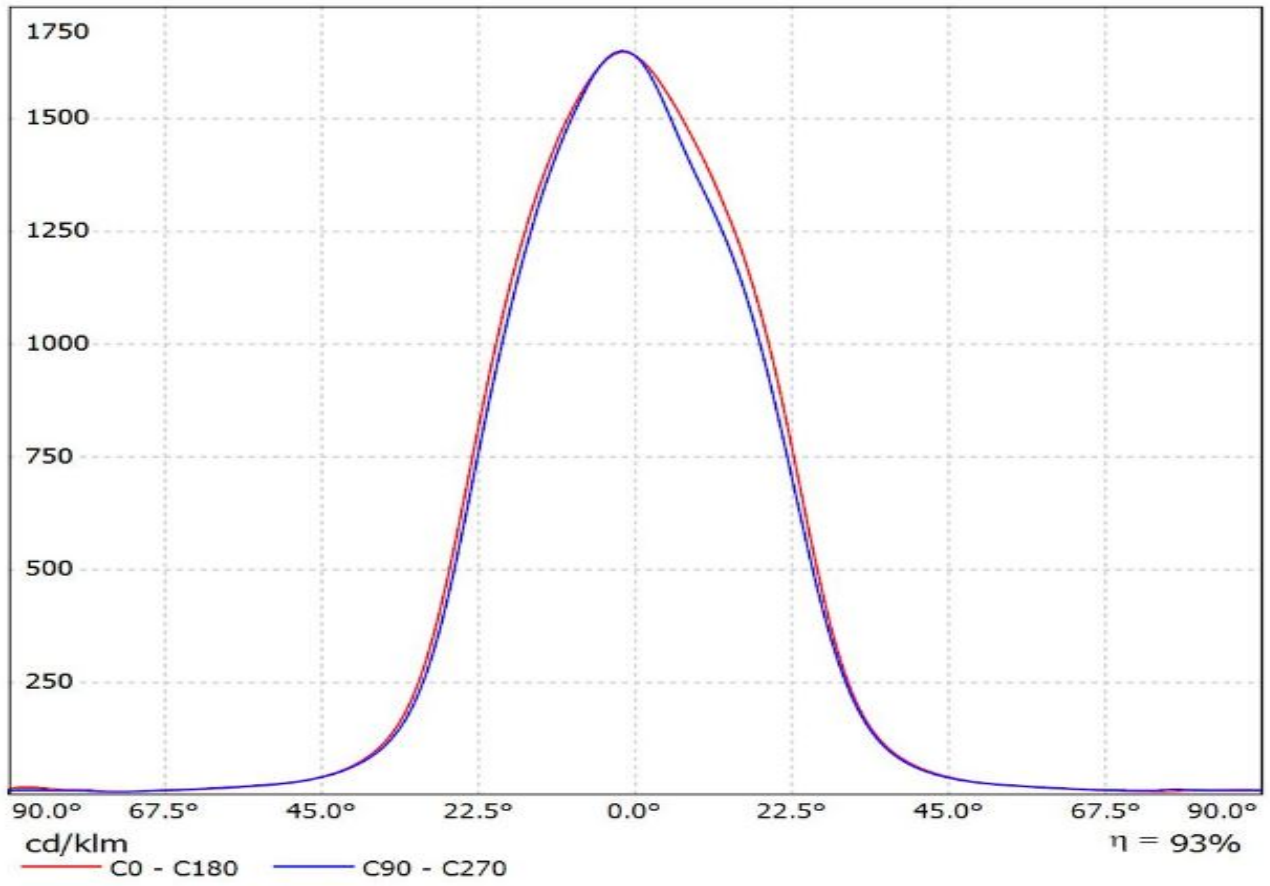
SHEET 1/1

D

A

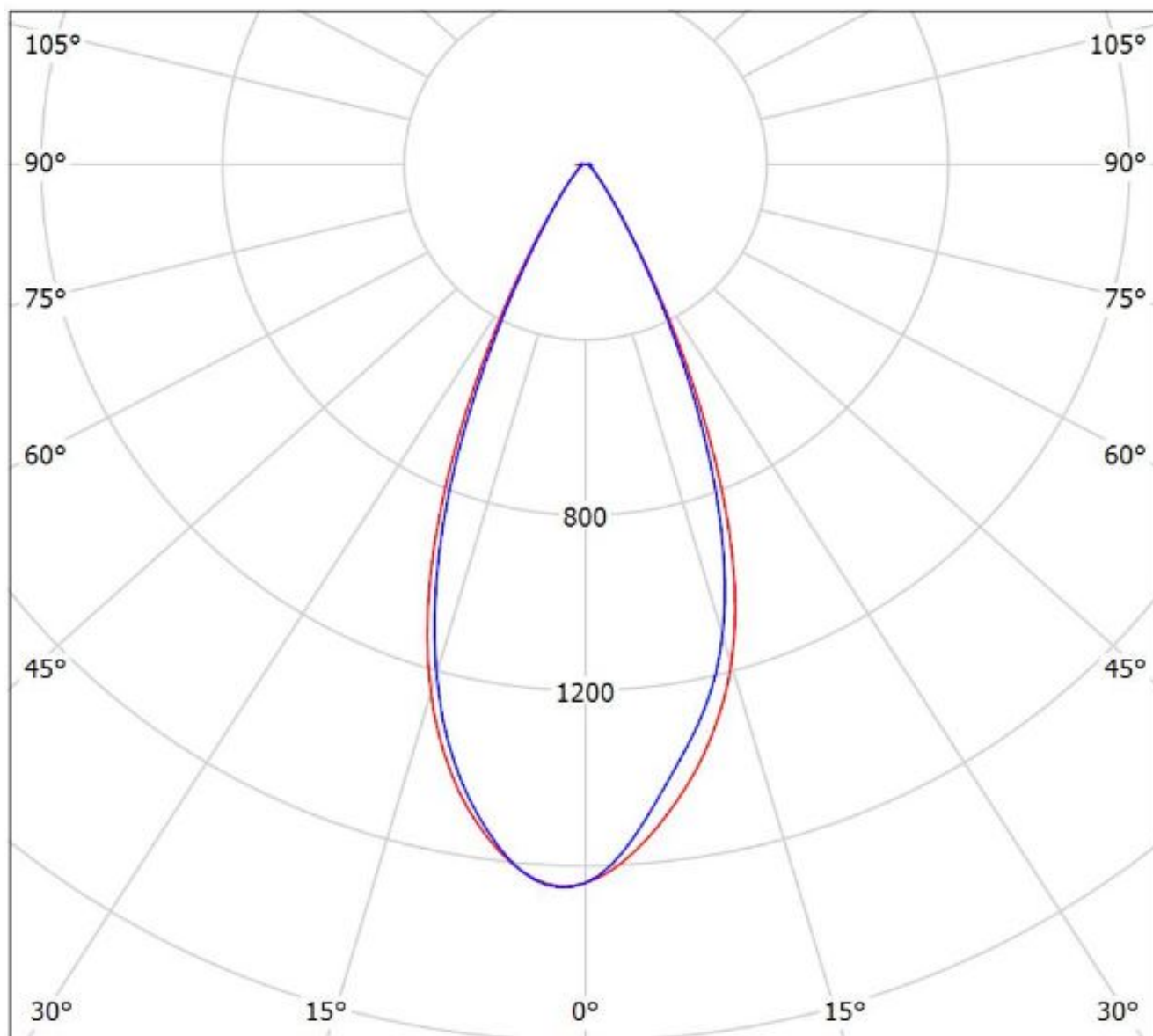
1

Luminaire: LEDiL Oy CA15359_EMILY-WW_(Oslon_Square_G3)_Cav1
Lamps: 1 x Oslon_Square_Gen3_(GW_CSSRM2.pm)_112.697lm@250mA_P=0.724245W_I=0.250A



Luminaire: LEDiL Oy CA15359_EMILY-WW_(Oslo_Square_G3)_Cav1

Lamps: 1 x Oslo_Square_Gen3_(GW_CSSRM2.pm)_112.697lm@250mA_P=0.724245W_I=0.250A



cd/klm

— C0 - C180 — C90 - C270

$\eta = 93\%$

NOTE: The typical divergence will be changed by different color, chip size and chip position tolerance. The typical total divergence is the full angle measured where the luminous intensity is half of the peak value.