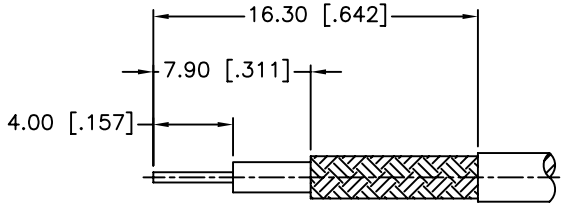
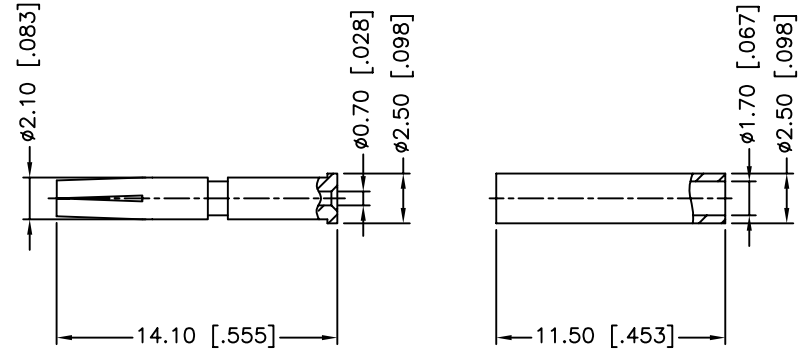
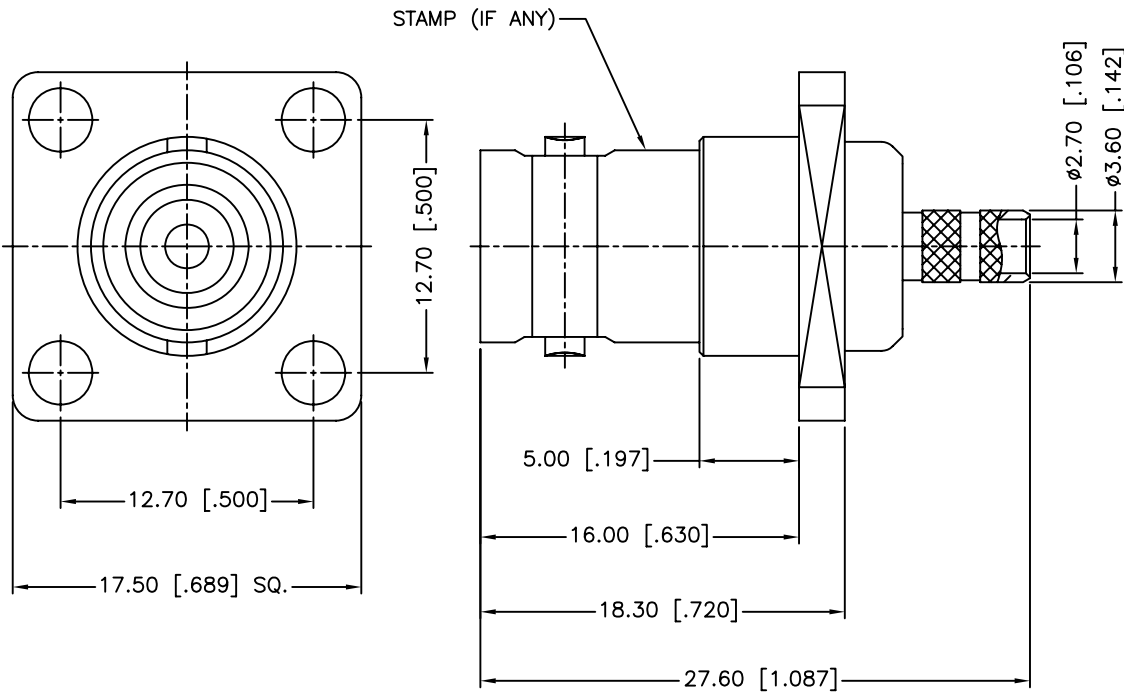
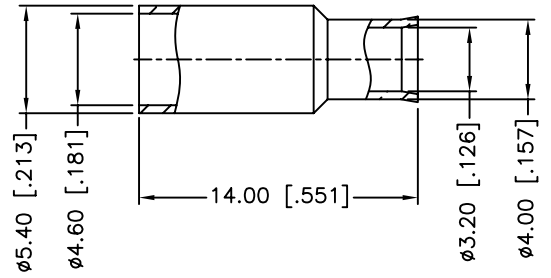


REV.	DATE	ECR NO.	DESCRIPTION
NC	12/21/11	XXXXXX	INITIAL RELEASE



RECOMMENDED  
CABLE STRIPPING DIM'S



1. IMPEDANCE: 50 OHM
2. FREQUENCY RANGE: DC 0-1 GHz
3. VSWR(RETURN LOSS): 1.5, MAX.
4. DIELECTRIC WITHSTANDING VOLTAGE: 1500 VRMS, MIN.
5. DURABILITY: 500 CYCLES MIN.
6. TEMPERATURE RANGE: - 40°C to +155°C
7. CRIMPED FERRULE HEX CRIMP SIZE .187"
8. CRIMPED CONTACT PIN HEX CRIMP SIZE .068"

5	FERRULE	BRASS	NICKEL	1
4	SLEEVE	DELFIN	NICKEL	1
3	CONTACT PIN	PHOSPHOR BRONZE	GOLD	1
2	INSULATOR	PTFE	NATURAL	1
1	BODY	BRASS	NICKEL	1
DESCRIPTION	MATERIAL	FINISH	QTY	

UNLESS OTHERWISE SPECIFIED DIMENSIONS ARE IN MILLIMETERS. DIMENSIONS IN [ ] ARE IN INCHES AND FOR CUSTOMER REFERENCE ONLY.

UNLESS OTHERWISE SPECIFIED TOLERANCES FOR MILLIMETERS ARE:  
0.5 - 8mm ± 0.20mm  
8 - 30mm ± 0.40mm  
30 - 120mm ± 0.50mm

UNLESS OTHERWISE SPECIFIED TOLERANCES FOR INCHES ARE:  
.020 - .315 = ± 0.007"  
.315 - 1.180 = ± 0.015"  
1.180 - 4.724 = ± 0.020"

DO NOT SCALE DRAWING

APPROVALS	DATE
DRAWN M.ZHANG	12/21/11
CHECKED	
ISSUED	
SHEET 1 OF 1	
CAD FILE C:/CONNEX/112530.DWG	

**Amphenol Connex**

PART DESCRIPTION  
**BNC PANEL CRIMP JACK  
(FOR RG-174/U,188A/U,316/U,316U/D CABLE)**

PART NO. **112530**

DWG. NO. 112530.DWG    REV. NC    SIZE A    SCALE NA