

SPECIFICATIONS

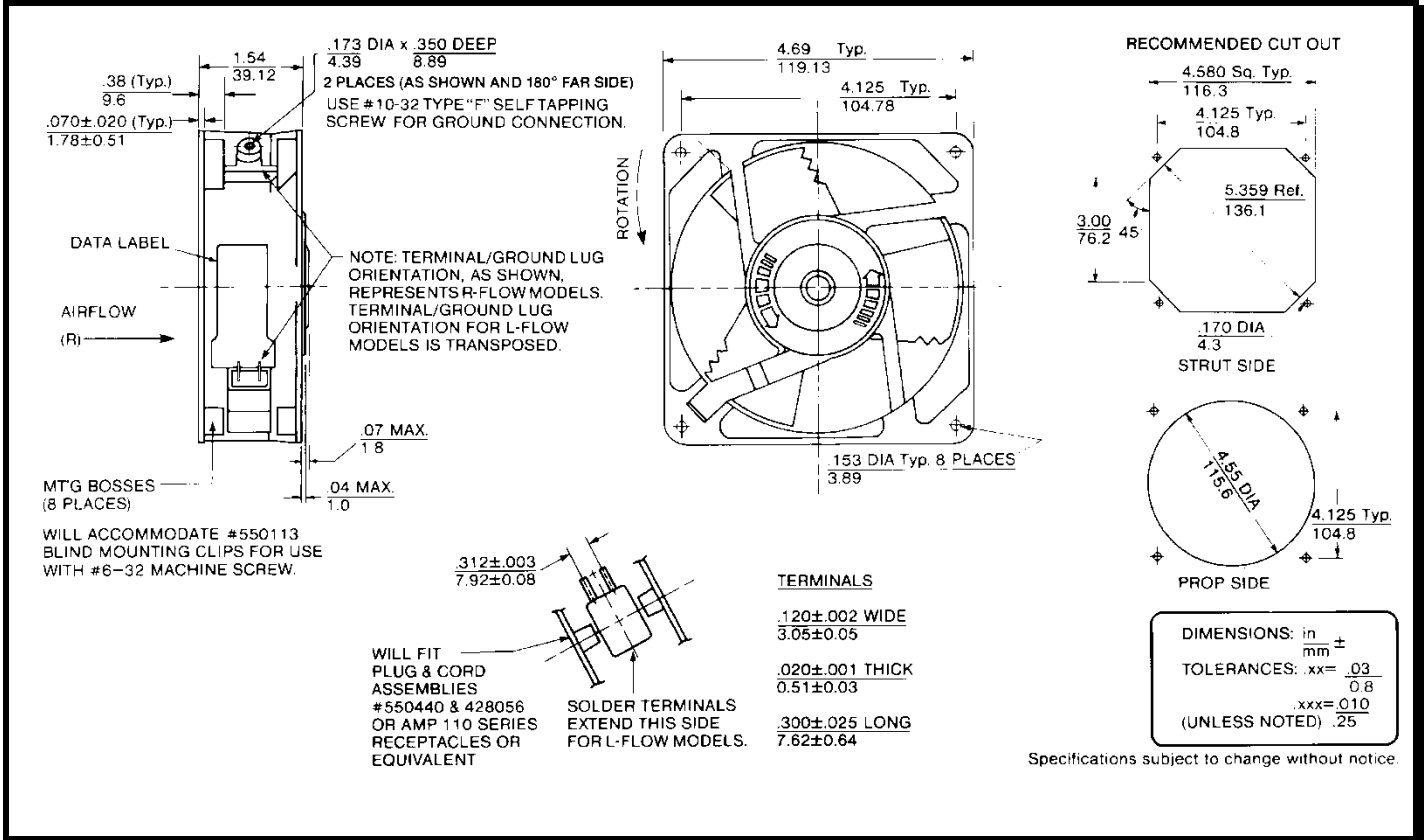
(RoHS Compliant)



Model Number: MX2B2
Part Number: 19030519A

Drawing Number: 26011260A03
 January.01.2013

Mechanical Drawing:



Motor:
 Nominal Voltage = 115 VAC
 Frequency = 50 / 60 Hz
 Nominal Running Current = 0.200 / 0.180 Amps
 Locked Rotor Current = 0.280 / 0.270 Amps
 Running Power = 17 / 15 Watts
 Average Speed = 2700 / 3100 RPM
 Bearings = Ball
 Air Flow = 92 / 108 CFM
 Acoustic: = 44.8 / 48.7 dBA

Construction:
 Venturi: Zinc Alloy, Black
 Propeller: Plastic, Gray, UL 94V-0

Life Expectancy:
 This fan is designed for continuous duty life of 83,000 hours at 40°C.

Additional Features:
 Shaded Pole Induction Motor
 Impedance Protected
 Feathered Edge Propeller
 Operating Temperature: -28°C to 70°C
 Storage Temperature: -40°C to 85°C

Termination:
 12" Lead wires

Agency Approvals:
 UL