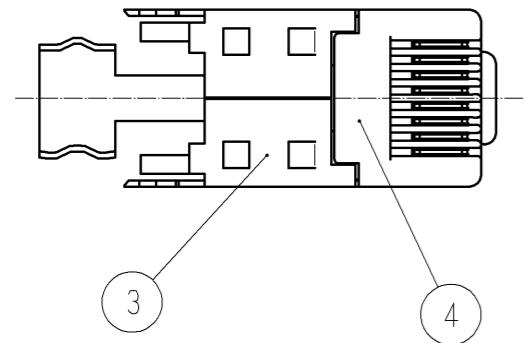
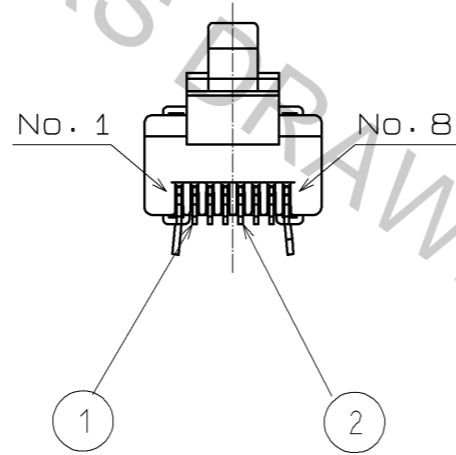
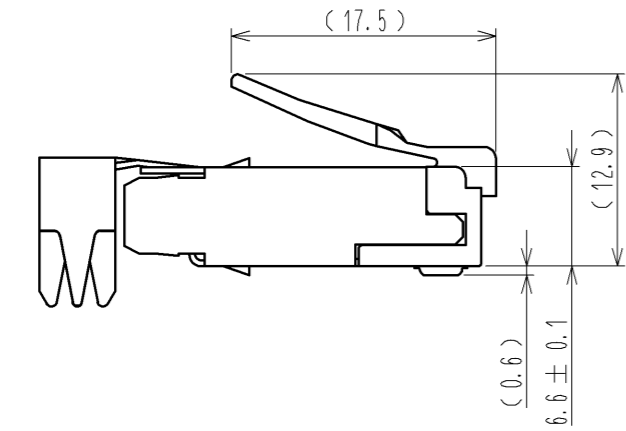


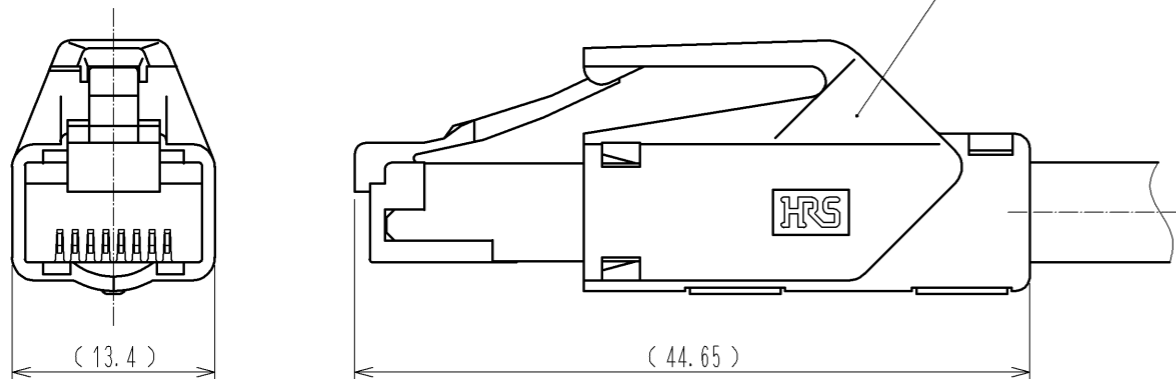
1 TABLE-1

APPLICABLE CABLE WIRE		
	CONDUCTOR	AWG#24 STRANDED WIRE ~ AWG#27 STRANDED WIRE
	INSULATOR DIAMETER	($\phi 0.9 \sim \phi 1.0$)
JACKET DIAMETER		($\phi 5.8 \sim \phi 6.0$)



5 CL222-2862-9-**
TM21P-88P(**)

COVER(SOLD SEPARATEIL)MATED



- NOTES
- 1 APPLICABLE CABLE IS SHOWN IN TABLE-1
 - 2 PLEASE USE ACCESSORY AS A GUIDE PLATE AND ASSEMBLE CONNECTOR WITH CABLE INSERTING ACCESSORY INTO CONNECTOR.
 - 3 () INDICATES THE REFERENCE DIMENSIONS.
 - 4 TO SATISFY CAT6a PERFORMANCE, PLEASE ASSEMBLE ACCORDING TO HRS INSTRUCTION. (ETAD-E2847)
 - 5 COLORS ARE DIFFERENT DEPENDING ON THE SPECIFICATION NUMBER.

2	PHOSPHOR BRONZE	CONTACT: GOLD PLATING 1.27#m MIN LEAD: GOLD PLATING 0.03#m MIN UNDER: NICKEL PLATING 2#m MIN						
1	PHOSPHOR BRONZE	CONTACT: GOLD PLATING 1.27#m MIN LEAD: GOLD PLATING 0.03#m MIN UNDER: NICKEL PLATING 2#m MIN	5	POLYCARBONATE	(YELLOW)UL94V-2			
			4	POLYCARBONATE	(YELLOW)UL94V-2			
			3	STAINLESS STEEL	OVER:NICKEL PLATING 0.5#m MIN			
NO.	MATERIAL	FINISH . REMARKS	NO.	MATERIAL	FINISH . REMARKS			
UNITS mm		SCALE 2 : 1		COUNT	DESCRIPTION OF REVISIONS	DESIGNED	CHECKED	DATE
HRS HIROSE ELECTRIC CO., LTD.		APPROVED : YH. ENAMI	09.01.26	DRAWING NO. EDC3-126868-00				
		CHECKED : YH. ENAMI	09.01.26	PART NO. TM31P-TM-88P				
		DESIGNED : MT. ITANO	09.01.26	CODE NO. CL222-4626-7-00				
		DRAWN : MT. ITANO	09.01.26					