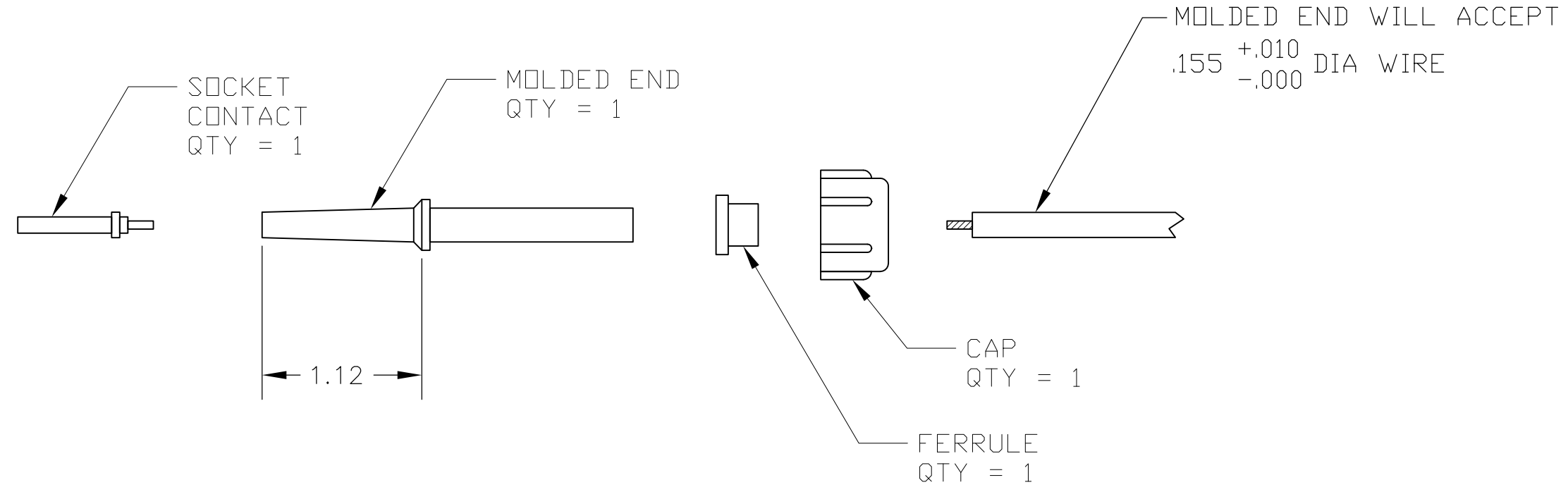

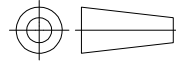


THIS DRAWING IS UNPUBLISHED. RELEASED FOR PUBLICATION - , - .
 © COPYRIGHT - By - ALL RIGHTS RESERVED.

REVISIONS				
P	LTR	DESCRIPTION	DATE	APVD
	A	REV PER ECO 16-014797	10-28-16	CT DM



862312-1
PART NUMBER

THIS DRAWING IS A CONTROLLED DOCUMENT.		DWN P. YEAGER 09JUL2007	 TE Connectivity		
DIMENSIONS: INCHES		CHK D.EABY 10JUL07			
		APVD D. EABY 10JUL07	NAME LGH-1 KIT		
TOLERANCES UNLESS OTHERWISE SPECIFIED:		PRODUCT SPEC	-		
0 PLC ± -		APPLICATION SPEC	-		
1 PLC ± -		WEIGHT 0.000000	SIZE A3	CAGE CODE 00779	DRAWING NO C-862312
2 PLC ± .02		CUSTOMER DRAWING	SCALE 1:1		SHEET 1 OF 1
3 PLC ± .005		RESTRICTED TO		REV A	
4 PLC ± -					
ANGLES ± -					
MATERIAL -					
FINISH -					