



PRODUCT DATASHEET

Leila series

last update 4/2/2015

DETAILS

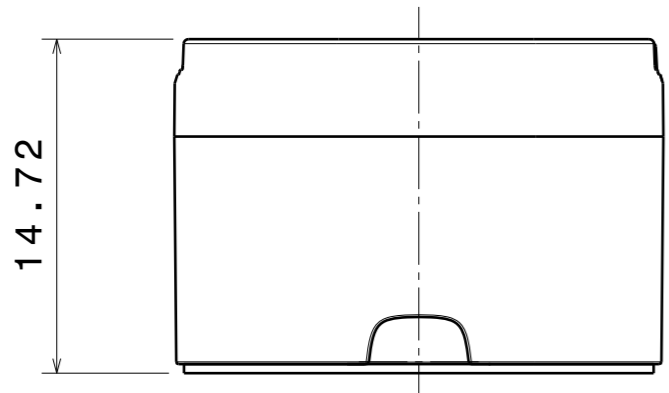
Product Number	FA12218_LXP-O
Family	Leila
Type	Assembly
Color	black
Diameter	21,6 mm
Height	14,7 mm
Style	round
Optic Material	
Holder Material	
Fastening	tape
Status	production ready
ROHS Compliant	Yes
Date Updated	4/02/2015



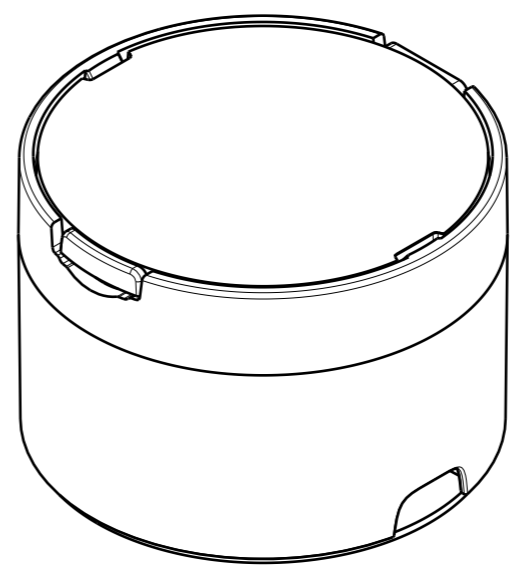
OPTICAL PROPERTIES

LED	Viewing Angle	Light Beam	Efficiency	cd/lm	Connector
XP-E	34+13 deg	Oval	89 %	5.400	-
XP-G	36+14 deg	Oval	89 %	3.800	-

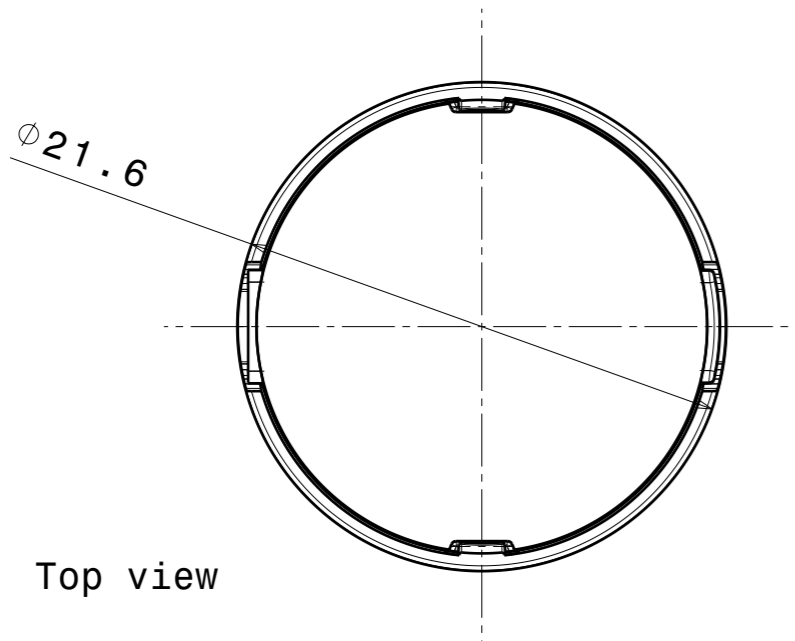
H G F E D C B A



Front view

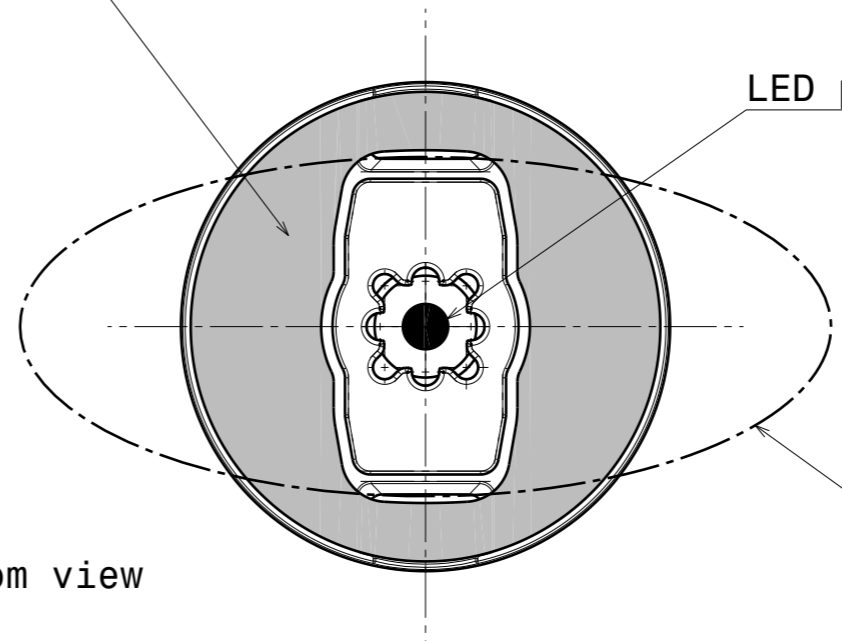


Isometric view



Top view

PU foam tape 0.4mm



Bottom view

LED position

0-beam direction
0-90 rotated 90 degrees

INDEX	DESCRIPTION	MATERIAL	COLOUR
1	Lens	PMMA	
2	Holder	PC	black

Tolerances if not otherwise shown
According to DIN ISO 2768-1
Linear measures:
up to 30mm class M, otherwise class C
According to DIN ISO 2768-2
Form and position: class L

LEDiL LediL Oy
Salorankatu 10
FIN 24240 SALO
Finland

THIRD ANGLE PROJECTION:

DRAWING TITLE
Datasheet_LXP-Series

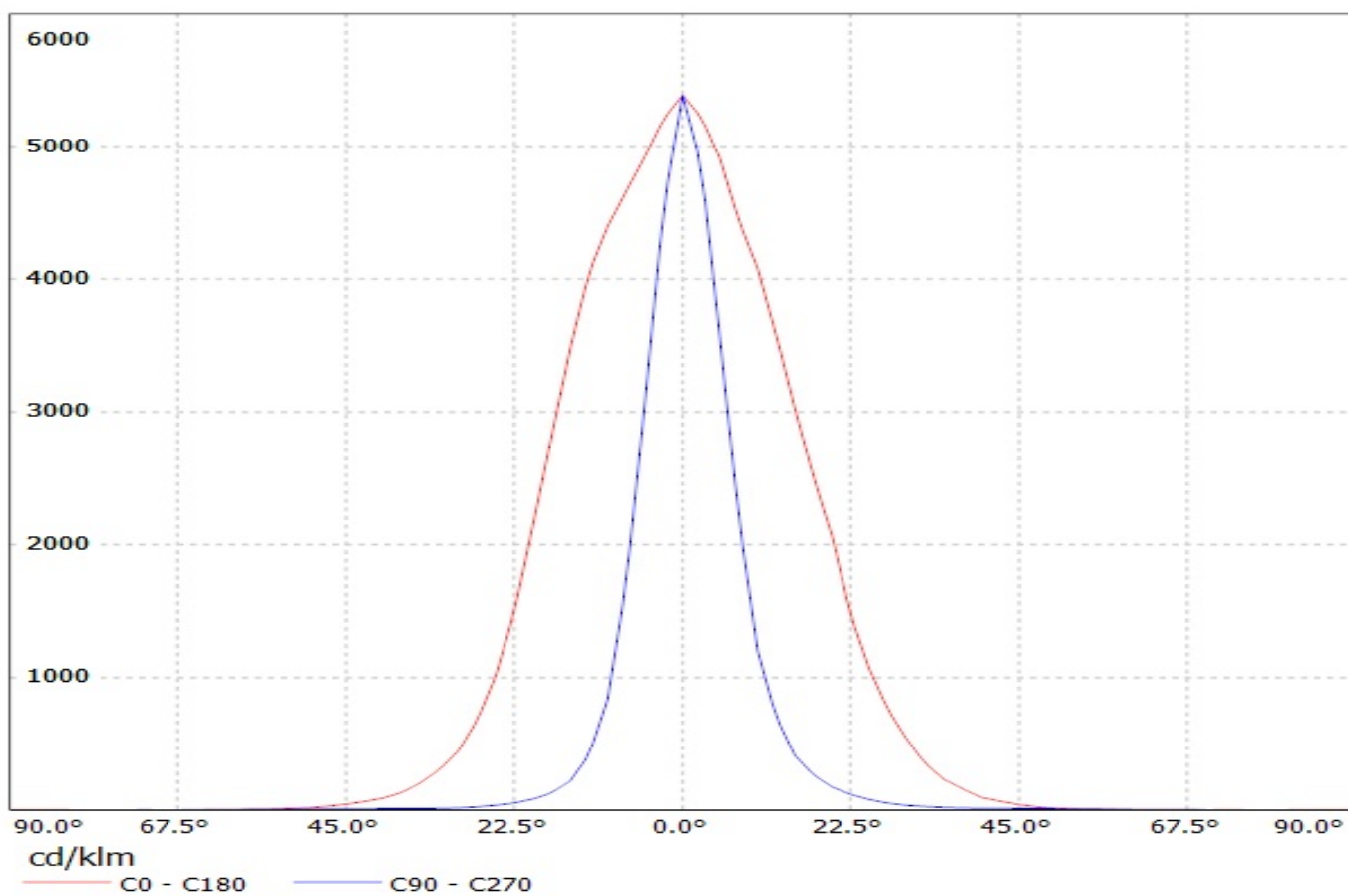
This drawing is the property of LEDiL Oy. It may not be reproduced, copied or communicated without a written agreement with LEDiL Oy.

SIZE A3 **PART NUMBER** -

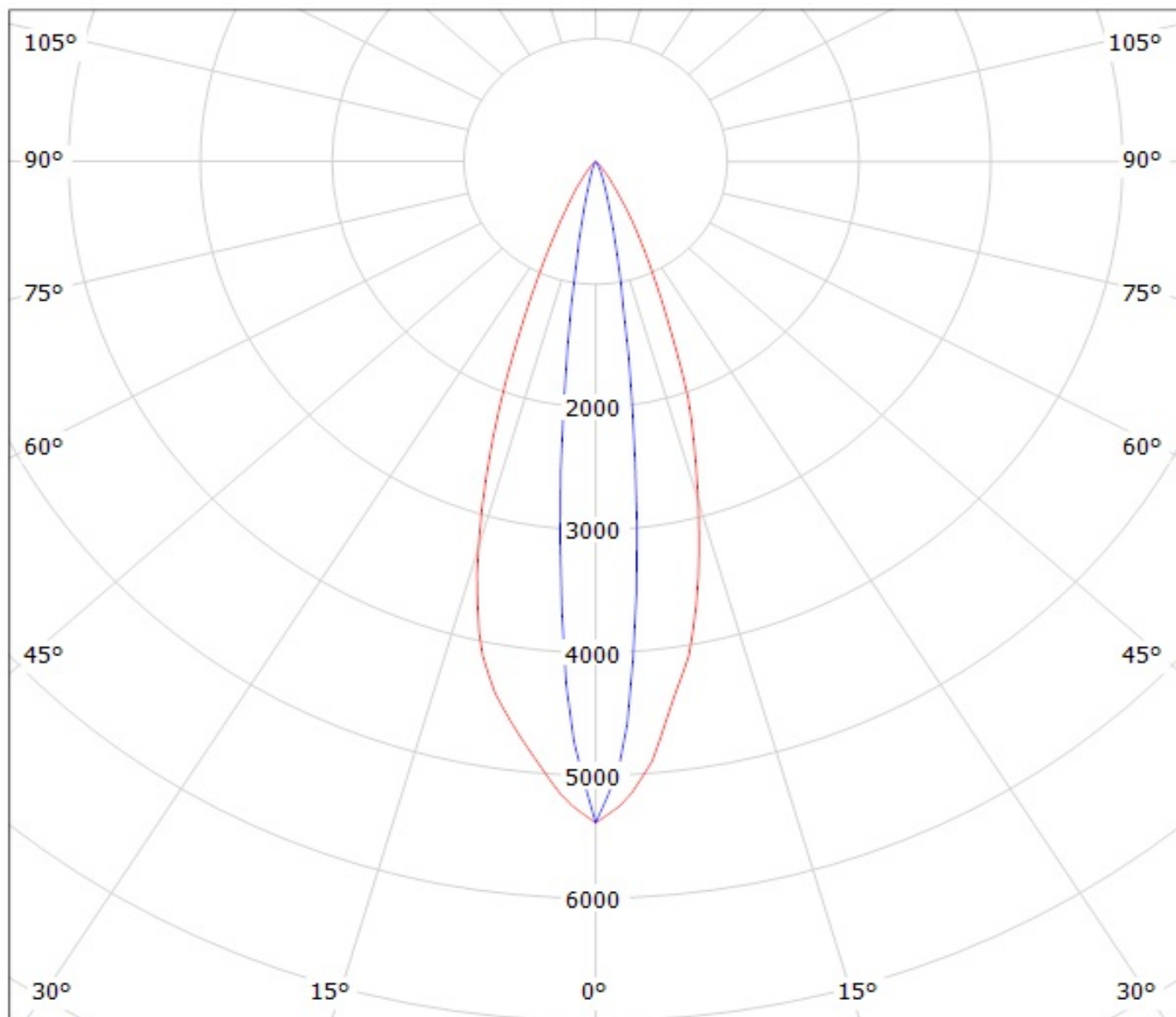
SCALE 1:1 **WEIGHT** - **SHEET** 1/1

H G B A

Luminaire: Ledil Oy FA12218_LXP-O (Cree XP-E 76lm @ 250mA) Efficiency=89%
Lamps: 1 x Cree XP-E 76lm @ 250mA



Luminaire: Ledil Oy FA12218_LXP-O (Cree XP-E 76lm @ 250mA) Efficiency=89%
Lamps: 1 x Cree XP-E 76lm @ 250mA



cd/klm

— C0 - C180 — C90 - C270

NOTE: The typical divergence will be changed by different color, chip size and chip position tolerance. The typical total divergence is the full angle measured where the luminous intensity is half of the peak value.