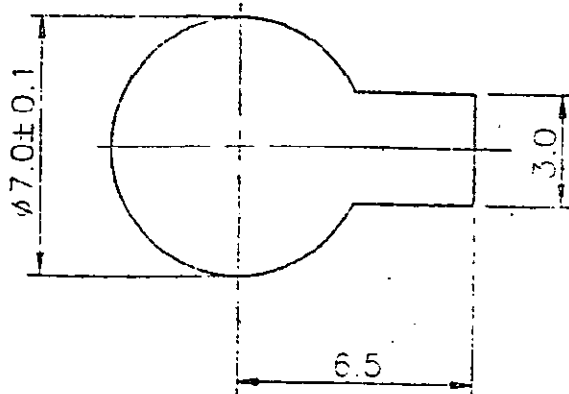


PANEL HOLE SIZE



PANEL THICKNESS : 0.7 - 1.6 mm

CONTROLLED

CONTROLLED

陸外秘

B	REVISED(P93-028)	EH	JK	3/23/95	
A	REVISED	JK	CS	10/20/95	
O	RELEASED	JK	CS	10/25/95	
LTR	REVISION RECORD	DR	CHK	DATE	

© 19 AMP MFG KOREA
ALL RIGHT RESERVED AMP PRODUCTS COVERED BY PATENTS
AND OR PATENTS PENDING

AMP * AMP MFG KOREA

WIRE RANGE	INSULATION DIA	NAME
		CLIP HSG FOR 070 & EJ MK-II+
MATERIAL	FINISH/COLOR	
NYLON 66	BLACK	
DR EH HONG	APP CS LEE	
CHK JK SONG	REL JK SONG	

TOLERANCES
0 < XX < 10 ± 0.2
10 ≤ XX < 50 ± 0.25
30 ≤ XX < 100 ± 0.3
ANGLES ± 3

SIZE	LOC	NO
A3	DS	85000-1
SCALE	REV	SHEET
5/1	B	1/1

DO NOT SCALE PRINT

PRINT DIST.

Attachment 2