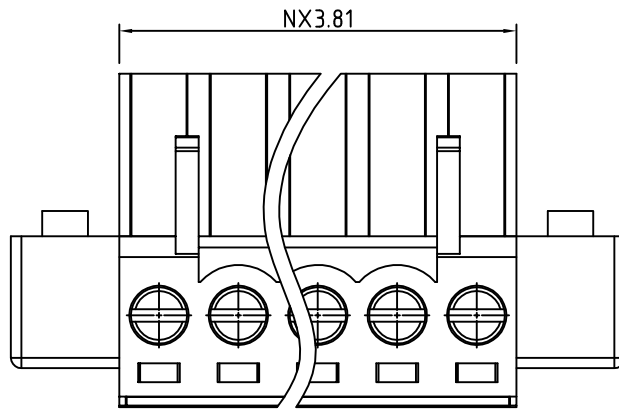
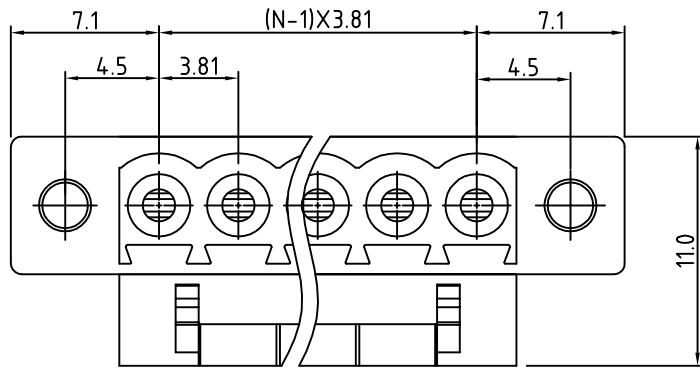
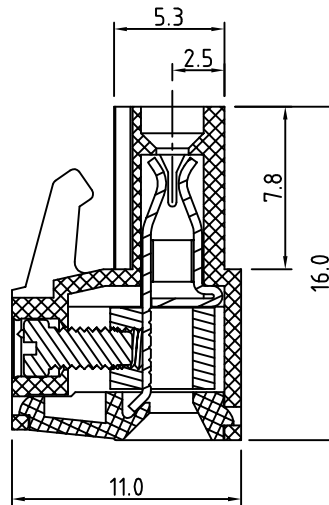


SIGN	DATE	DESCRIPTION	APPROVER
		<i>THIS IS CAD DRAWING, DO NOT REVISE MANUALLY!!!</i>	



N=Number of poles



**Material**

- Terminal body: Brass(CuZn)
- Wire guard : PhBz(CuSn),tin plated
- Flange screw : Steel Zinc plating M2.5
- Terminal screw: Steel Zinc plating"-slot type
- Insulator (housing): Thermoplastic (UL94V-0)

**Electrical**

- Voltage rating: 300V
- Current rating: 8A
- Wire range:
  - Solid wire(AWG): 16-28
  - Stranded wire(AWG): 16-28
- Torque(Lb-In): 1.7
- Screw: M2
- Wire strip length: 6-7mm
- Withstanding Voltage: 1.6KV
- Operating temperature: -30°C to +105°C
- Safety Approval: us

RoHS Compliant

PART NUMBER:

**OSTVDXX3152**

No. of Poles  
02: 2 Poles  
:  
:  
24: 24 Poles

COLOR  
0: Black  
5: Green (Standard)  
6: Blue  
8: Grey



THESE DRAWINGS AND SPECIFICATIONS ARE THE PROPERTY OF ON-SHORE TECHNOLOGY, INC. AND SHALL NOT BE REPRODUCED, COPIED OR USED IN ANY MANNER WITHOUT THE PRIOR WRITTEN CONSENT OF ON-SHORE TECHNOLOGY, INC.

TITLE		OSTVD-3.81mm series with flange 2p-24p				
PART NO.	OSTVDXX3152	DWG NO.	OSTVDXX3152.DWG			
APPROVED	CHECKED	DESIGNED	DRAWN	CUST NO.	Tolerance	
Shi Jun 2006.10.23	Shi Jun 2006.10.23	Shi Jun 2006.01.18	Shi Jun 2006.01.18		UNIT: mm	X. ±0.50
					SCALE: NONE	X.X ±0.30
				SHEET: 01/01	REV: C	X.XX ±0.10
						X° ±1°