

4

3

2

1

THIS DRAWING IS UNPUBLISHED.

RELEASED FOR PUBLICATION

2011

LOC 1

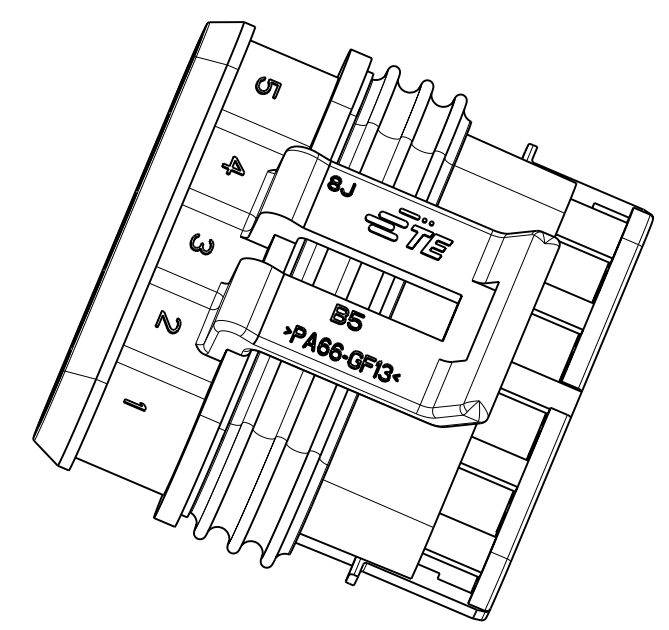
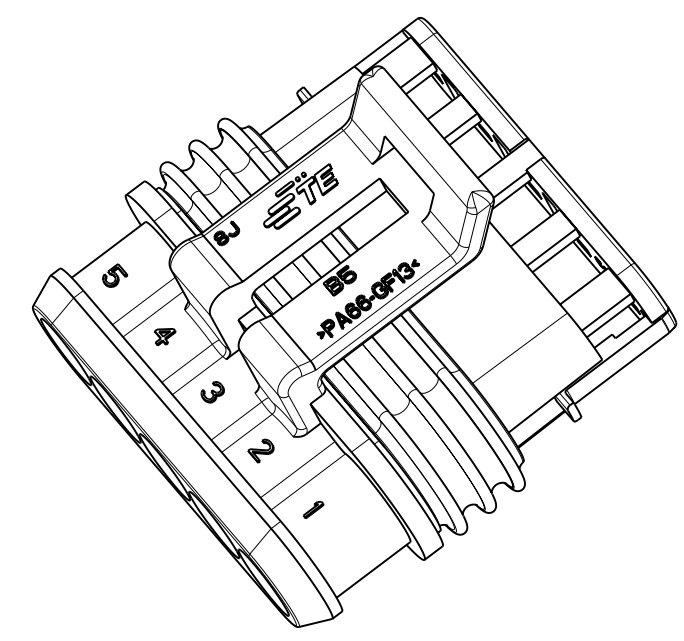
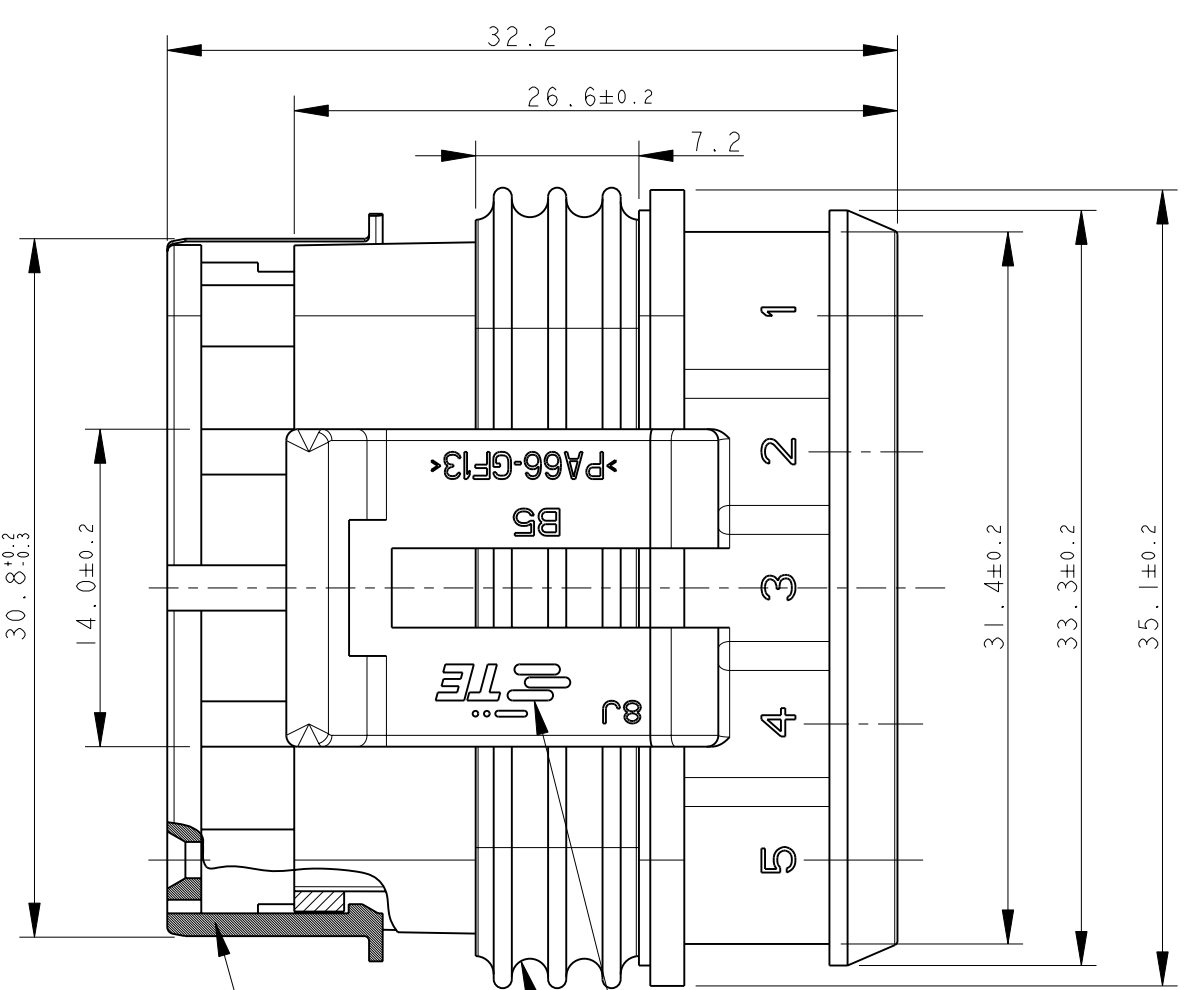
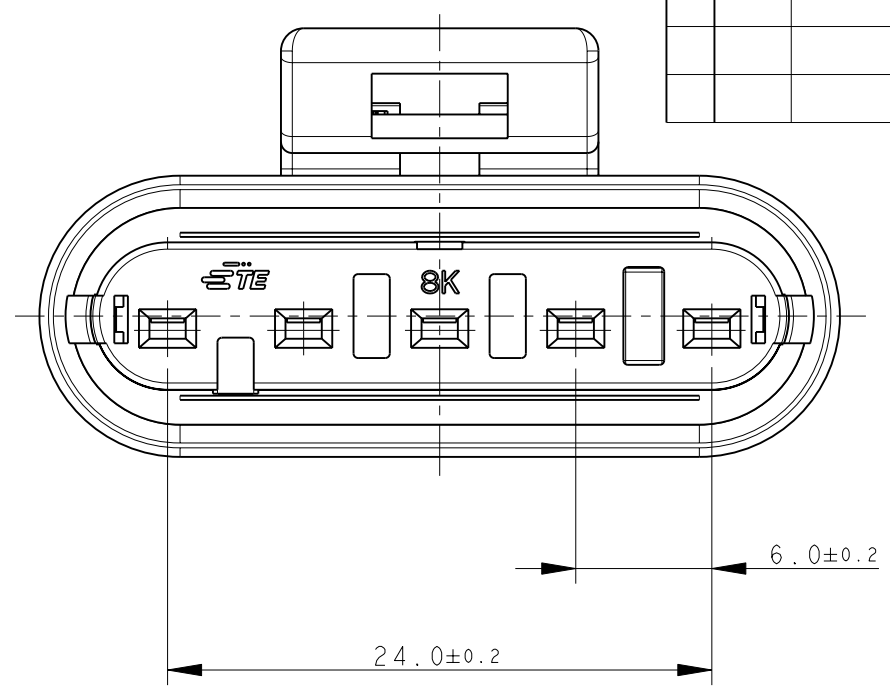
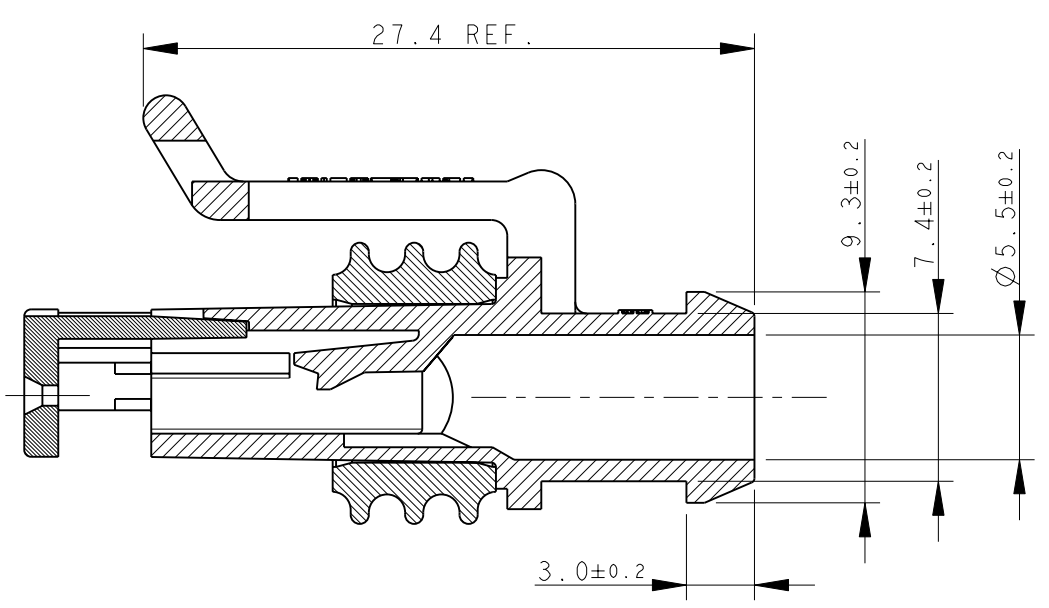
DIST -

REVISIONS

© COPYRIGHT 2011

ALL RIGHTS RESERVED.

P	LTR	DESCRIPTION	DATE	DWN	APVD
C5		REVISED BY ECR-11-024280	13DEC2011	M.F.	M.G.



1) FOR COUNTERPART DETAILS, SEE SHEET 2 OF 2

GRAY	PA66-GF	282089-2
BLACK	PA66-GF	282089-1
FINISH/COLOR	MATERIAL	PART NUMBER

TE CONNECTIVITY TRADE MARK,
(IN ALTERNATIVE: "AMP" LOGO,
OR "Tyco Electronics" LOGO)

SEALING
(SILICONE RUBBER)

PRE-ASSEMBLED SECONDARY LOCK
(RED COLOR)

THIS DRAWING IS A CONTROLLED DOCUMENT.

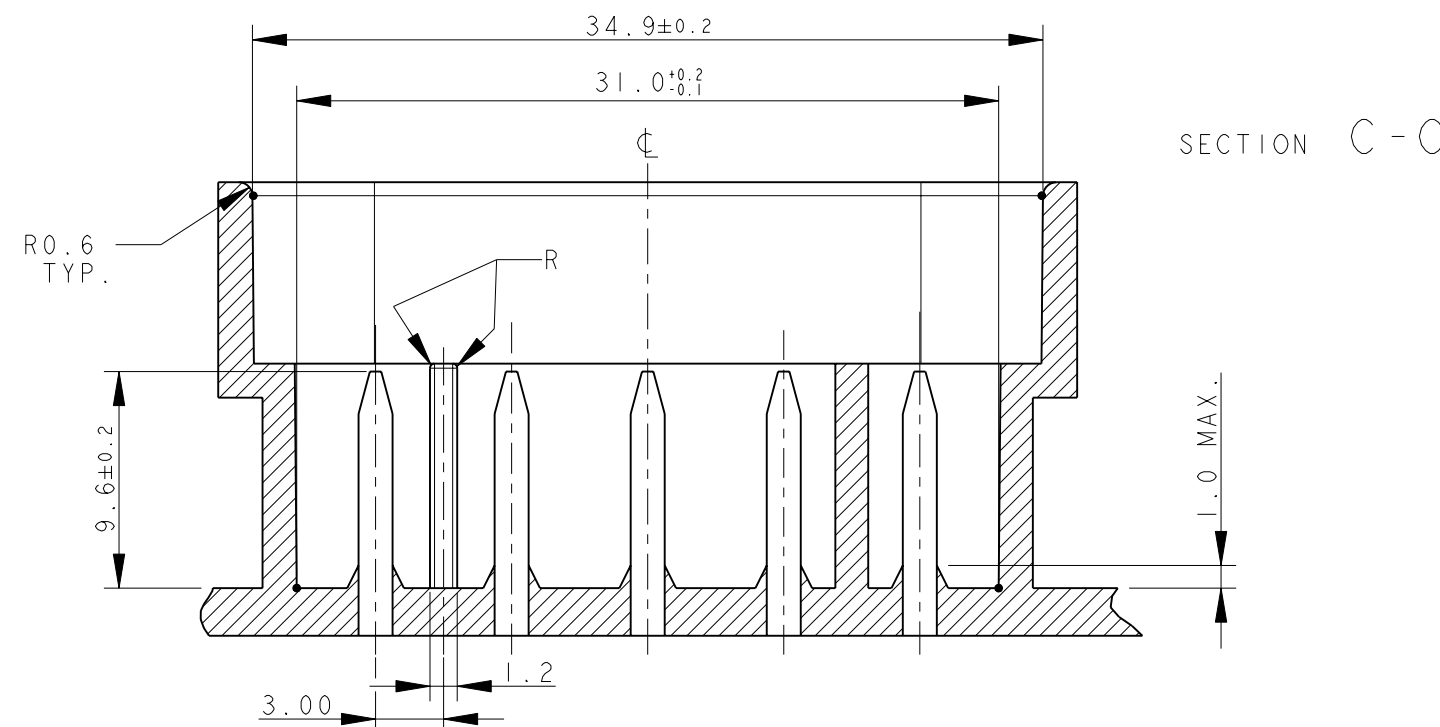
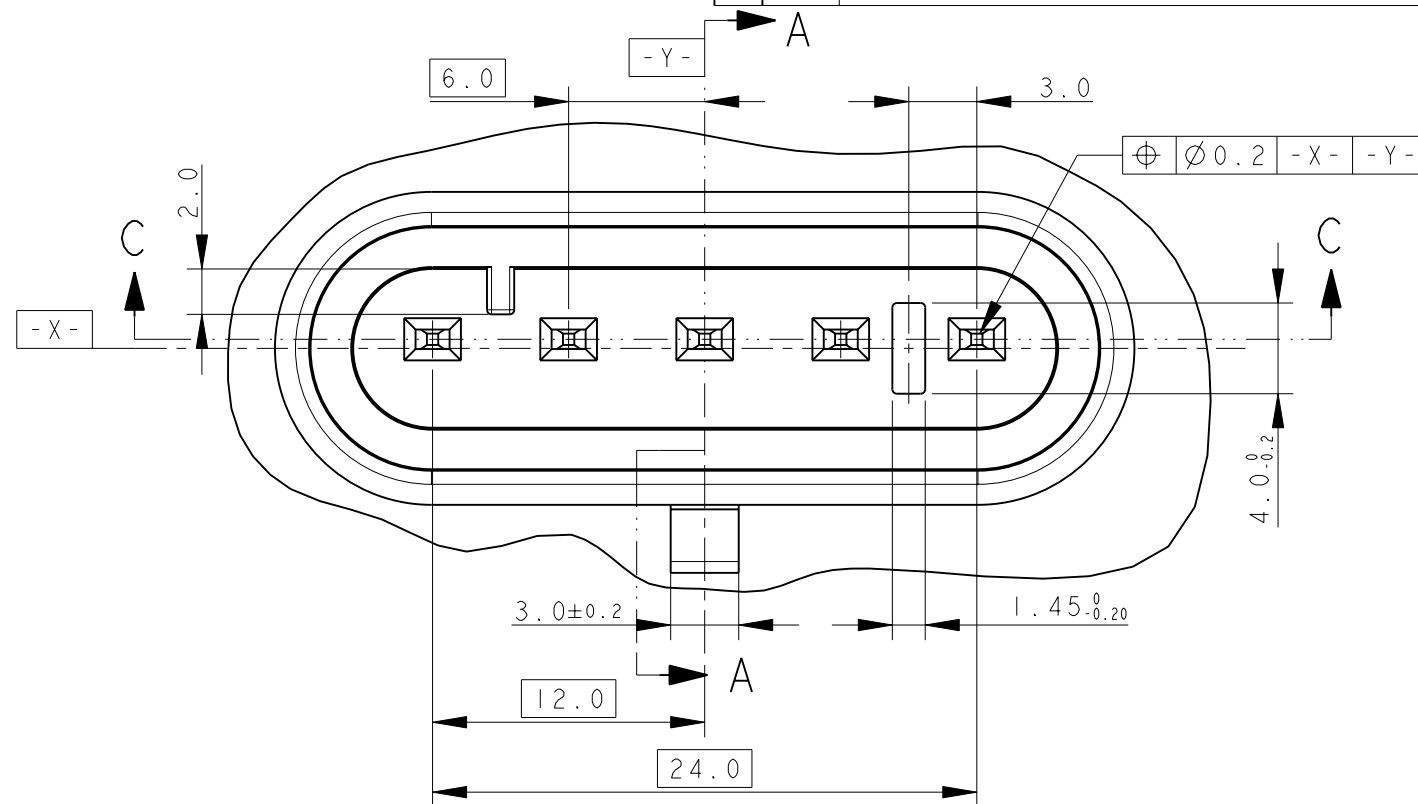
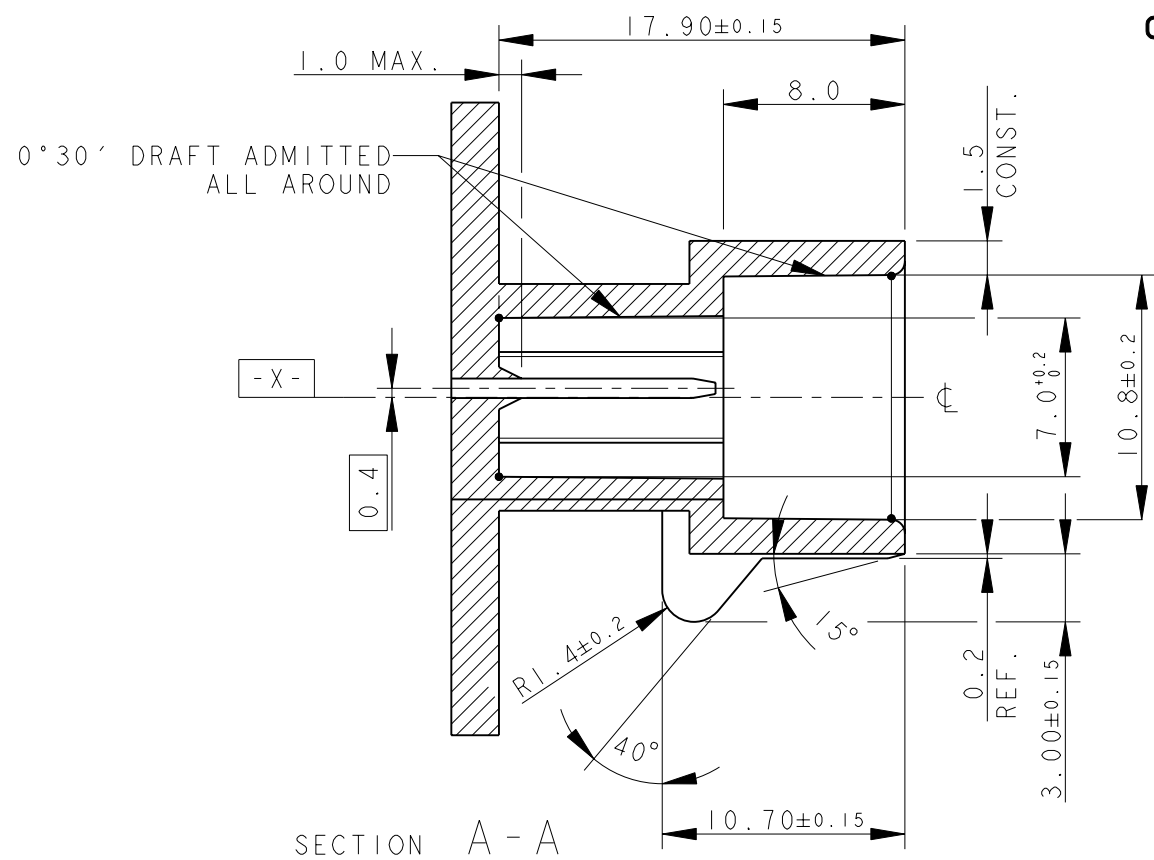
DIMENSIONS: mm	TOLERANCES UNLESS OTHERWISE SPECIFIED:
	0 PLC ±-
	1 PLC ±0.3
	2 PLC ±-
	3 PLC ±-
	4 PLC ±-
	ANGLES ±2°
MATERIAL -	FINISH -

DWN	C. BERTINI	05-1992
CHK	A. BRUNI	05-1992
APVD	-	-
PRODUCT SPEC	108-20090	
APPLICATION SPEC	412-20000	
WEIGHT	5.45gr	
CUSTOMER DRAWING		

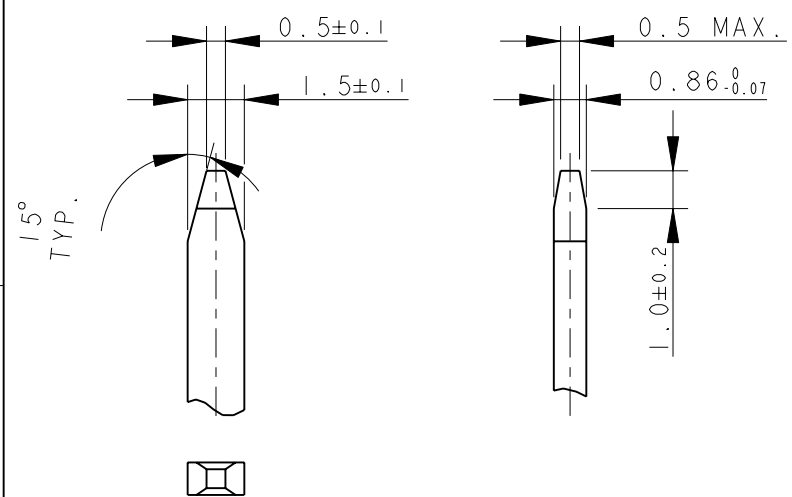
STE TE Connectivity			
AMP SUPERSEAL 1.5 SRS. 5 POSITIONS PLUG ASS'Y			
SIZE	CAGE CODE	DRAWING NO	RESTRICTED TO
A3	00779	C-282089	-
SCALE 1:1		SHEET 1 OF 2	REV C5

LOC	DIST	P	LTR	DESCRIPTION	DATE	DWN	APVD
1	-			SEE SHEET 1			

COUNTERPART DETAILS



TAB DETAILS



MATERIALS: PA66-GF FOR HOUSING
TIN PLATED BRASS FOR TABS

THIS DRAWING IS A CONTROLLED DOCUMENT.		DWN C. BERTINI 05-1992	TE Connectivity	
DIMENSIONS: mm		CHK A. BRUNI 05-1992		
TOLERANCES UNLESS OTHERWISE SPECIFIED:		APVD -	NAME	
0 PLC ±0.3		PRODUCT SPEC -	AMP SUPERSEAL 1.5 SRS. 5 POSITIONS PLUG ASS'Y	
1 PLC ±0.1		APPLICATION SPEC -	SIZE A300779	CAGE CODE C-282089
2 PLC ±0.05		WEIGHT -	RESTRICTED TO -	
3 PLC ±		CUSTOMER DRAWING	SCALE 3:1	SHEET 2 OF 2
4 PLC ±			REV C5	
ANGLES ±2°				
FINISH				