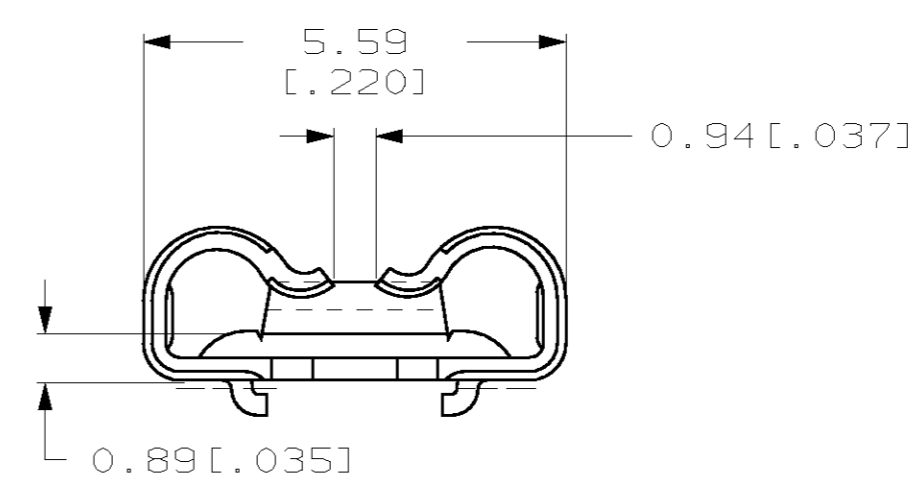
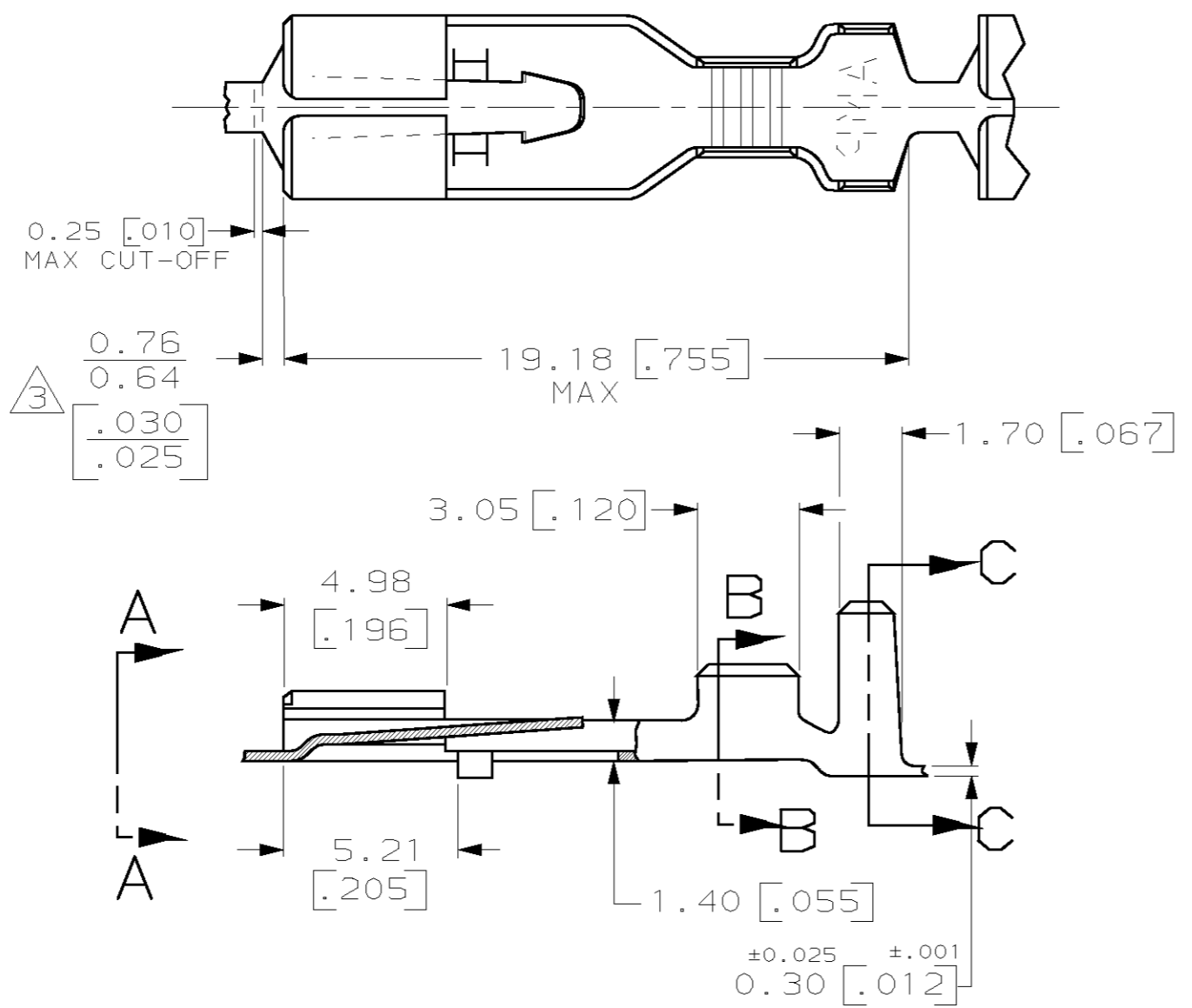


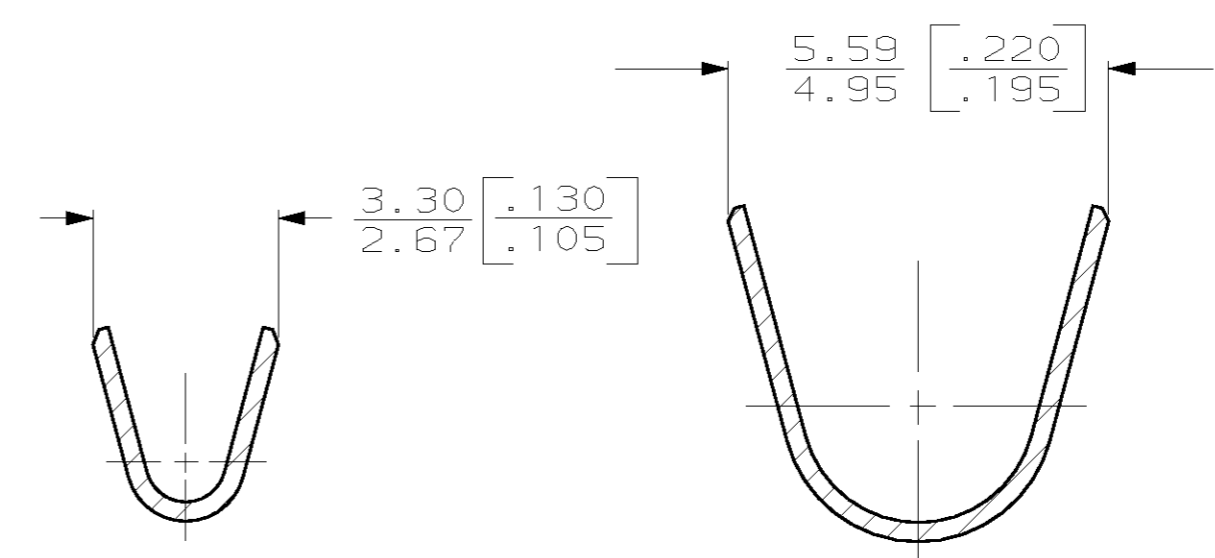
THIS DRAWING IS UNPUBLISHED. RELEASED FOR PUBLICATION
 BY AMP INCORPORATED, ALL RIGHTS RESERVED.

| LOC | | DIST | | REVISIONS | | | |
|-----|-----|-------------|----------------------|-----------|------|----|--|
| P | LTR | DESCRIPTION | DATE | DWN | APVD | | |
| AF | 50 | C | REV PER 063A-0005-02 | 14JAN02 | JR | DD | |

- 1 DIMENSIONS IN BRACKETS ARE IN INCHES.
- 2 CONTINUOUS STRIP ON REELS.
- 3 THE $\frac{0.76}{0.64} \left[\frac{.030}{.025} \right]$ DIMENSION MUST BE MAINTAINED BY THE APPLICATOR CUT-OFF TO ENSURE THE PROPER LOCKING FUNCTION OF THE RECEPTACLE.
- 4 WIRE SIZES #20-#16, INSULATION RANGE IS 2.29-3.30 [.090-.130] DIA.
- 5 THIS PART MATES WITH P/N 1217716-1



VIEW A-A



SECTION B-B

SECTION C-C

1217715-1
 PART NO.

| | | | | | |
|---|-----------|--------------|----------------------------------|---------|---|
| THIS DRAWING IS A CONTROLLED DOCUMENT. | | DWN | JR RUTH | 27SEP01 | AMP Incorporated Harrisburg, PA 17105-3608 |
| DIMENSIONS: INCHES | | CHK | D DECKER | 27SEP01 | |
| TOLERANCES UNLESS OTHERWISE SPECIFIED: 0 PLC ±- 1 PLC ±- 2 PLC ±0.25 [.010] 3 PLC ±- 4 PLC ±- ANGLES ±- | | APVD | D DECKER | 27SEP01 | |
| | | PRODUCT SPEC | - | - | |
| MATERIAL | H06 BRASS | FINISH | .000080 MIN TIN | WEIGHT | - |
| CUSTOMER DRAWING | | SCALE | 5:1 | SHEET | 1 OF 1 |
| NAME | | | RECEPTACLE, SPECIAL, .187 SERIES | | RESTRICTED TO |
| SIZE | | A2 | CAGE CODE | 00779 | DRAWING NO |
| CAGE CODE | | C | 1217715 | | REV |
| REV | | C | | | |

1217715