

DETAILS

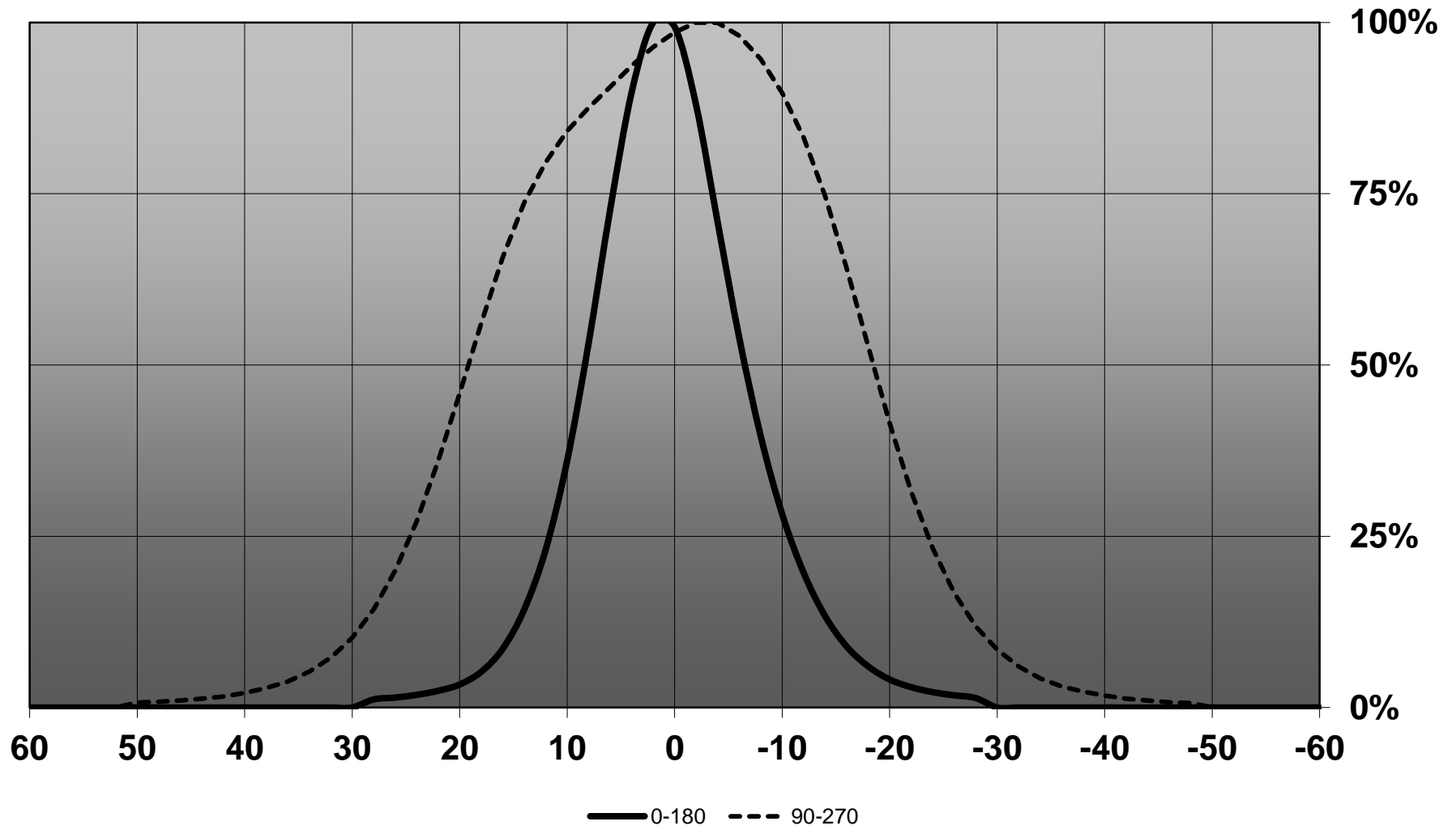
Product Number	CA13637_G2-LAURA-O90-P
Family	Laura
Type	Assembly
Color	white
Diameter	21,6 x 21,6 mm
Height	13,1 mm
Style	square
Optic Material	PMMA
Holder Material	
Fastening	tape, pin
Status	production ready
ROHS Compliant	Yes
Date Updated	11/11/2015

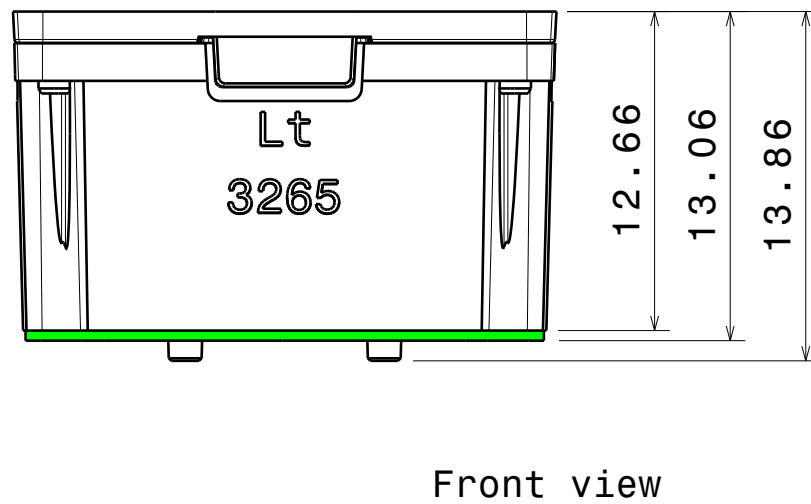
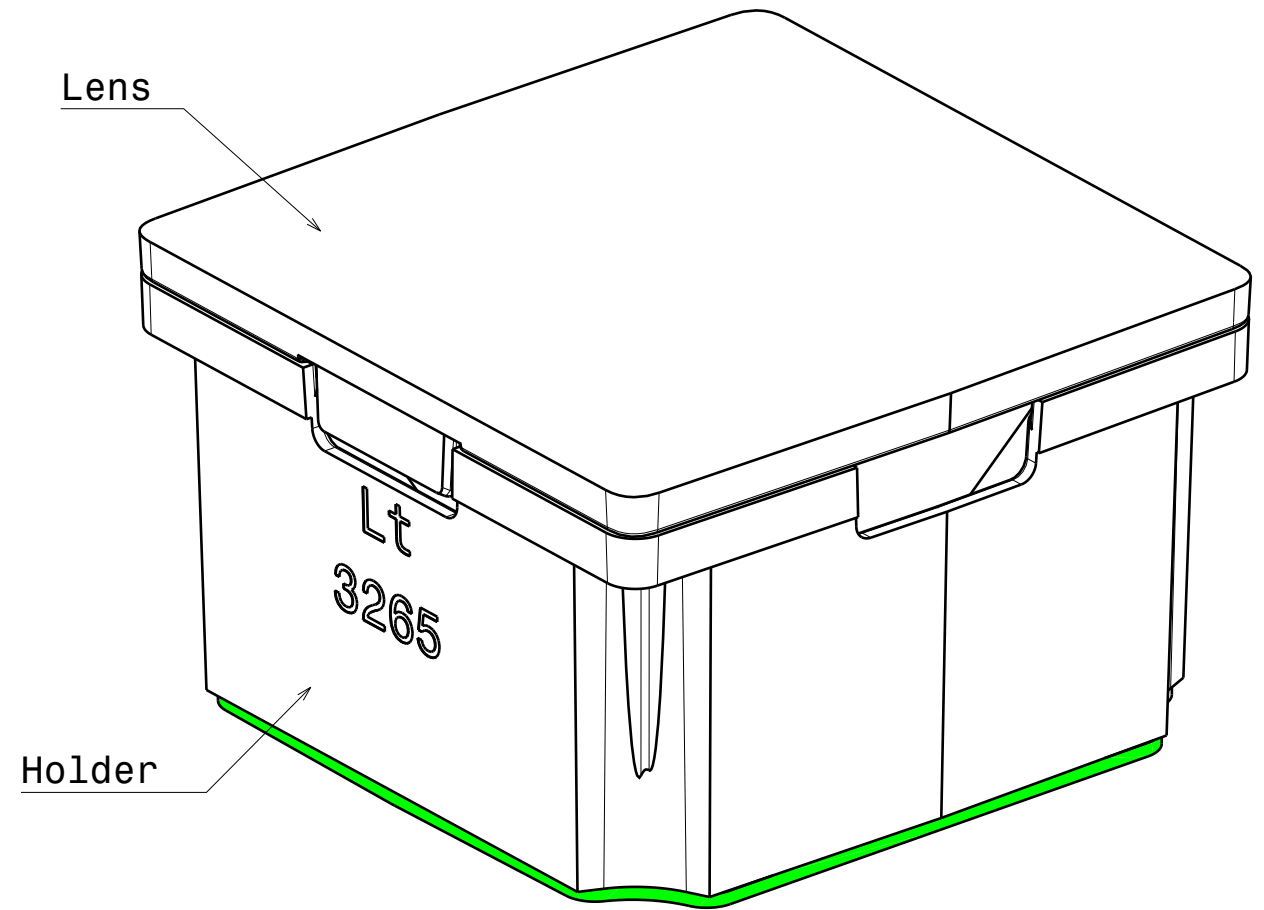
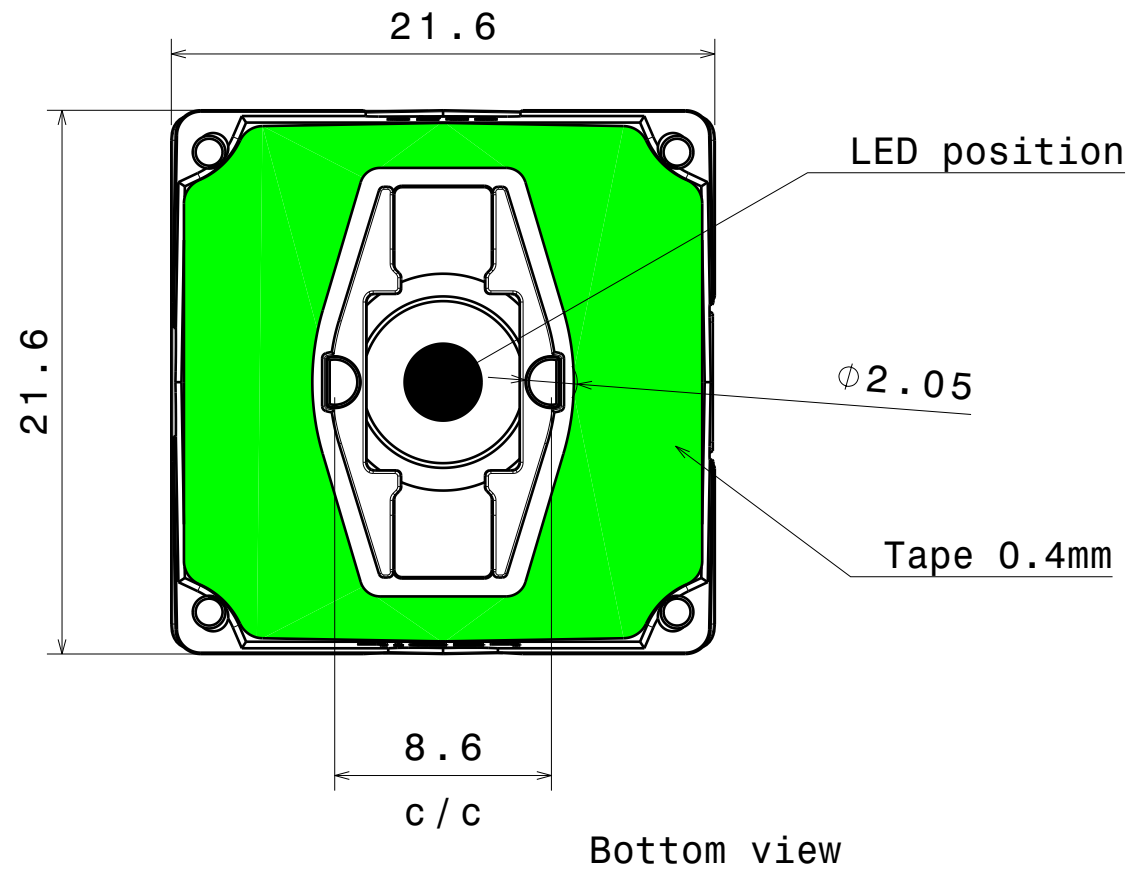
OPTICAL PROPERTIES

LED	Viewing	Light	Efficiency	cd/lm	Connector
	Angle	Beam			
XP-E	11+40 deg	O-90	91 %	6.290	-
XP-L	16+38 deg	O-90	89 %	3.710	-
XP-L2	18+37 deg	O-90	86 %	3.100	-
LUXEON TX	15+41 deg	O-90	89 %	4.400	-
LUXEON Rebel Plus	12+38 deg	O-90	91 %	5.200	-
LUXEON 3030 2D	14+37 deg	O-90	90 %	4.400	-
NCSxx19A	15+41 deg	O-90	91 %	4.500	-
NVSxx19A	16+40 deg	O-90	89 %	4.100	-
NVSxx19B/NVSxx19C	15+38 deg	O-90	88 %	4.400	-



Relative intensity of CA13637_G2-LAURA-O90-P_(NVSxx19B)

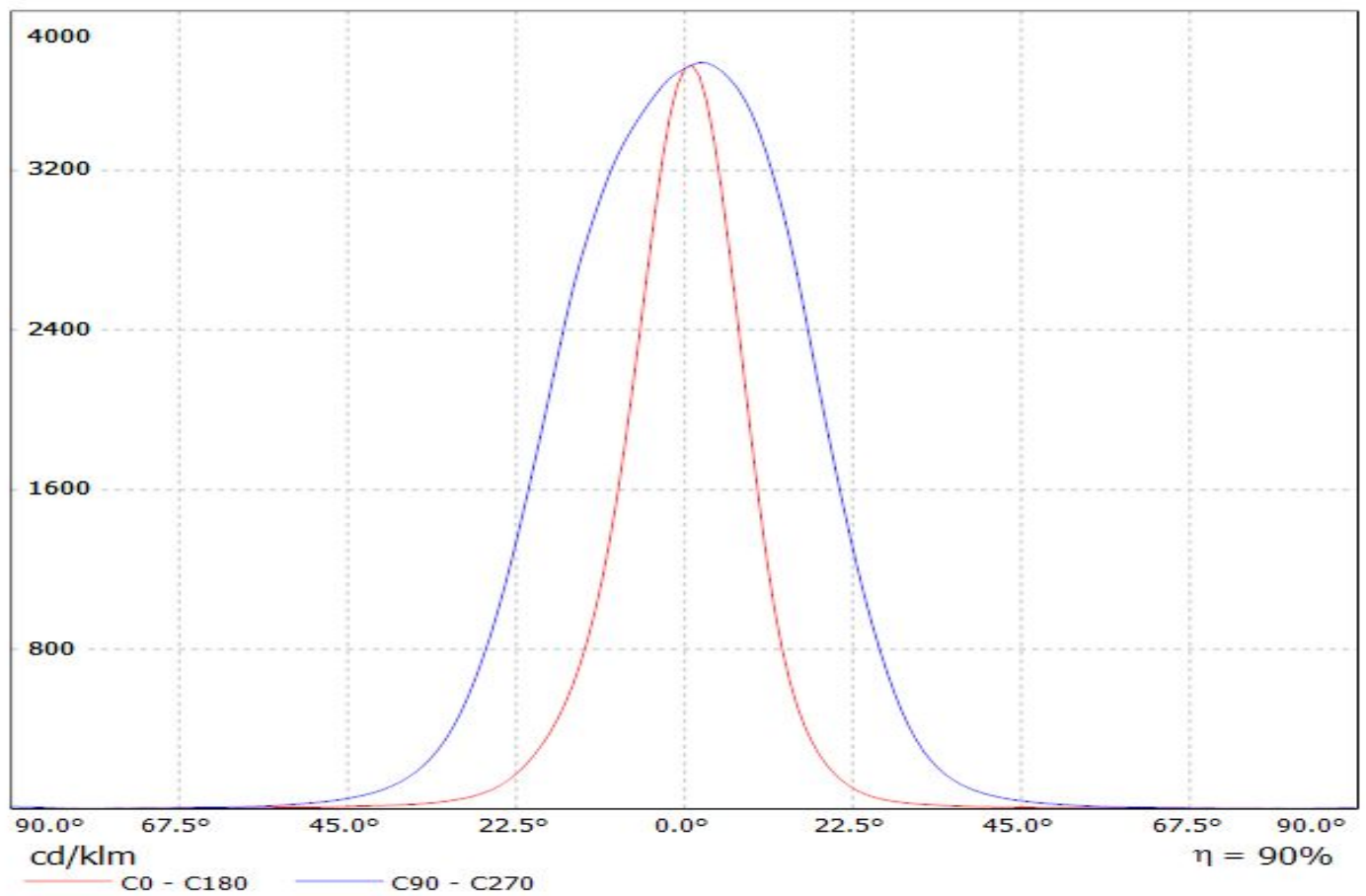




INDEX	PART NO	MATERIAL	COLOUR
1	-	PU foam	black
2	C13265	PC	white
3	C13257	PMMA	clear

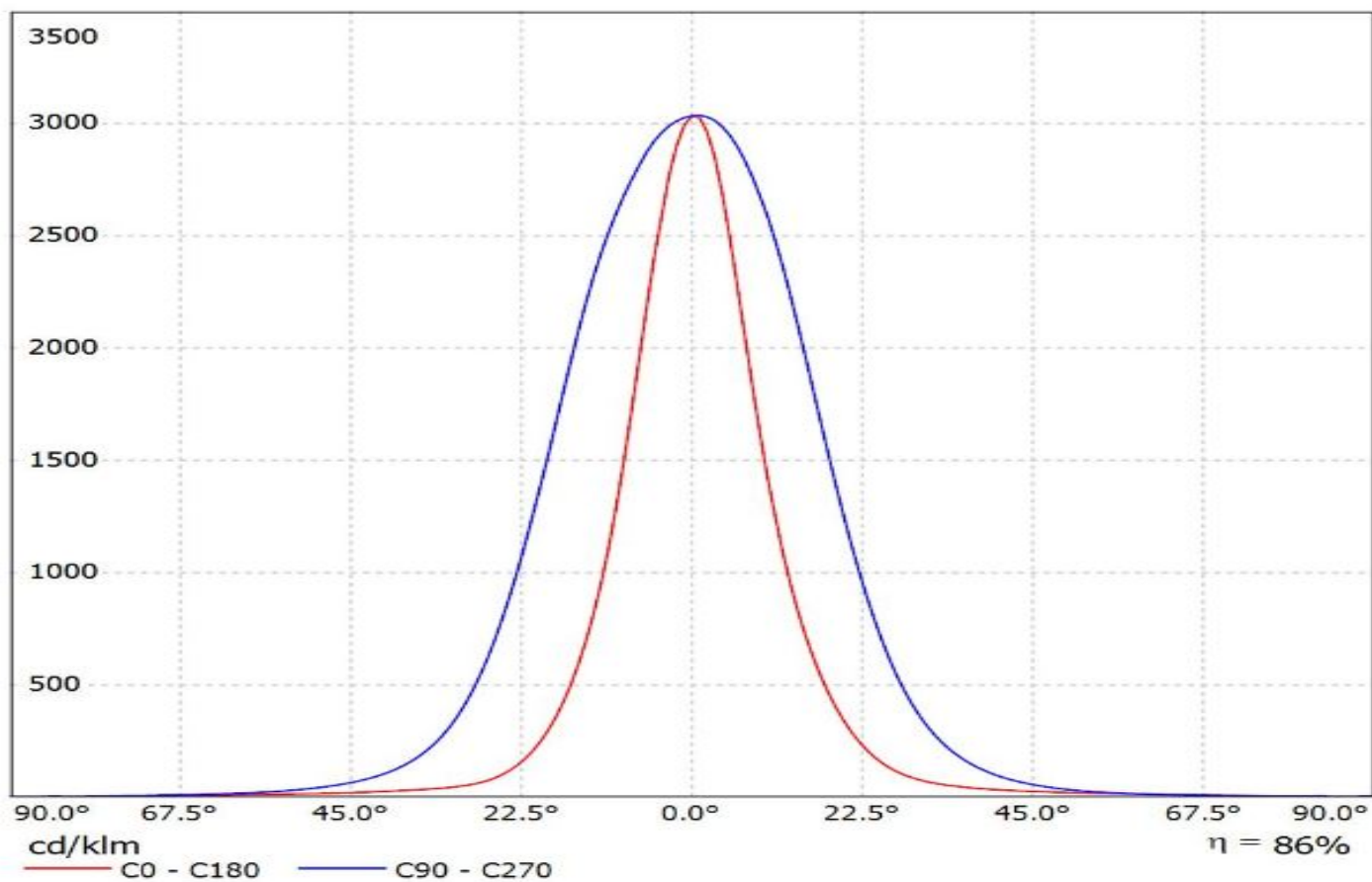
Tolerances if not otherwise shown According to DIN ISO 2768-1 Linear measures: class M According to DIN ISO 2768-2 Form and position: class L		LEDiL LediL Oy Salorankatu 10 FIN 24240 SALO Finland	
THIRD ANGLE PROJECTION:		DRAWING TITLE CA13637_G2-LAURA-090-P	
This drawing is the property of LEDiL Oy. It may not be reproduced, copied or communicated without a written agreement with LEDiL Oy.		SIZE A3	PART NUMBER CA13637
		SCALE 10:3	WEIGHT - SHEET 1/1

Luminaire: Ledil Oy CA13637_G2-LAURA-O90-P_(XP-L) Efficiency=89%
Lamps: 1 x Cree XP-L 125lm @ 250mA CCT= P=0.72W I=250mA

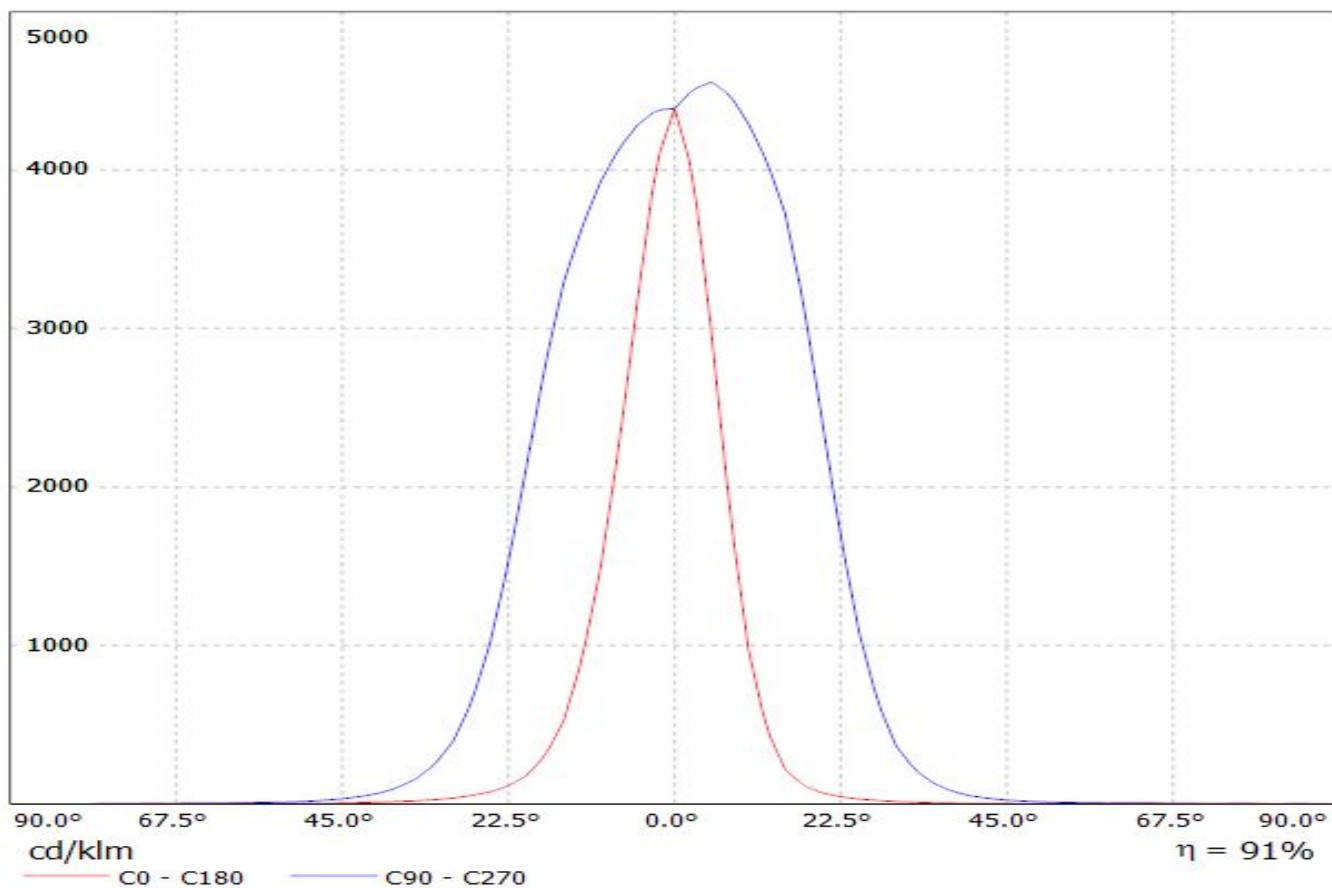


Luminaire: Ledil CA13637_G2-LAURA-O90-P_(XP-L2)

Lamps: 1 x Cree_XP-L2_(XPLWT-00-0000-000HU630G)_115.75lm@250mA_P=0.721375W_I=0.25A

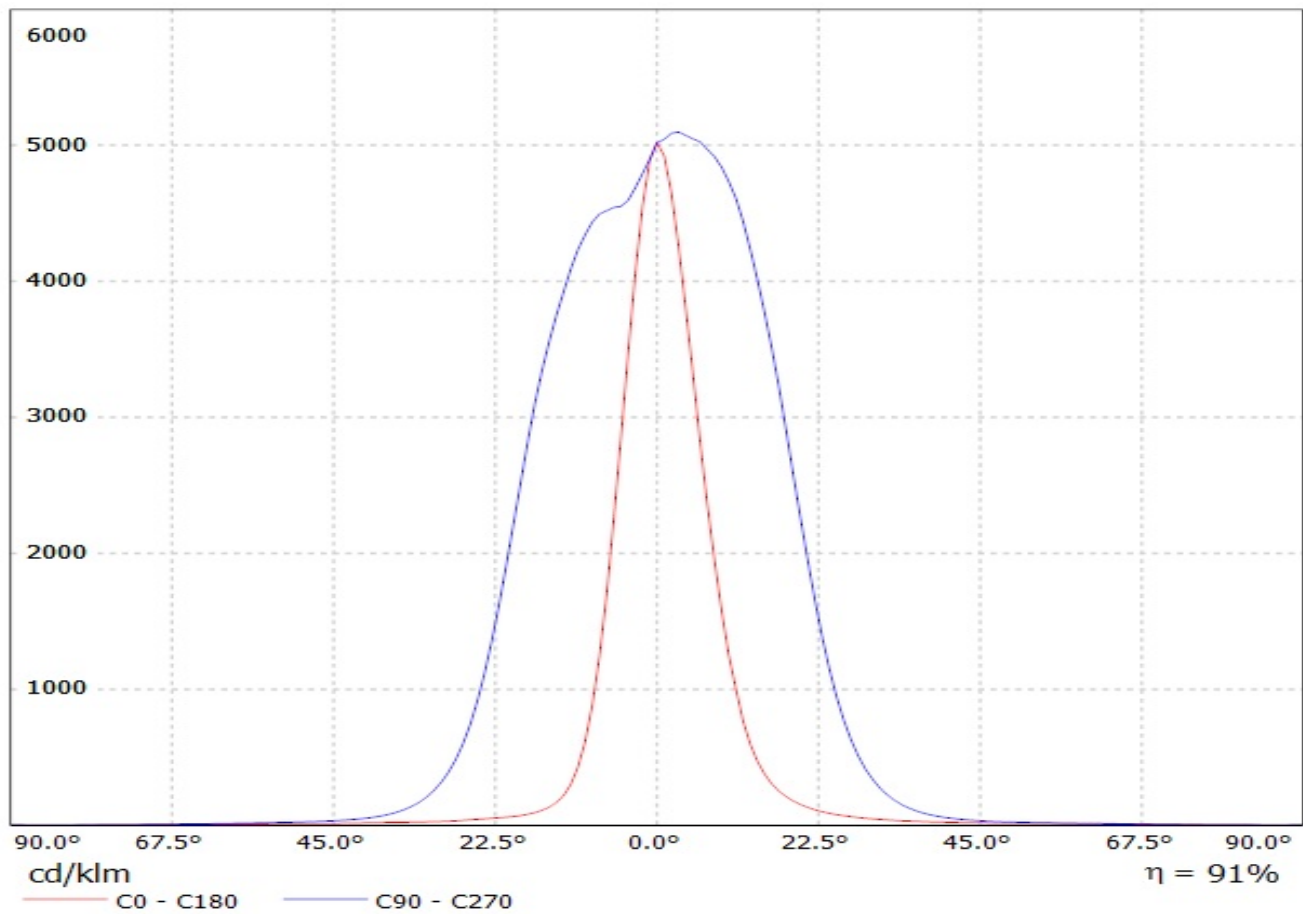


Luminaire: Ledil Oy CA13637_G2-LAURA-O90-P_(Luxeon_TX) Efficiency=89%
Lamps: 1 x Luxeon TX (L1T2-3585) 108lm @ 250mA CCT=3521K P=0.73W I=250mA



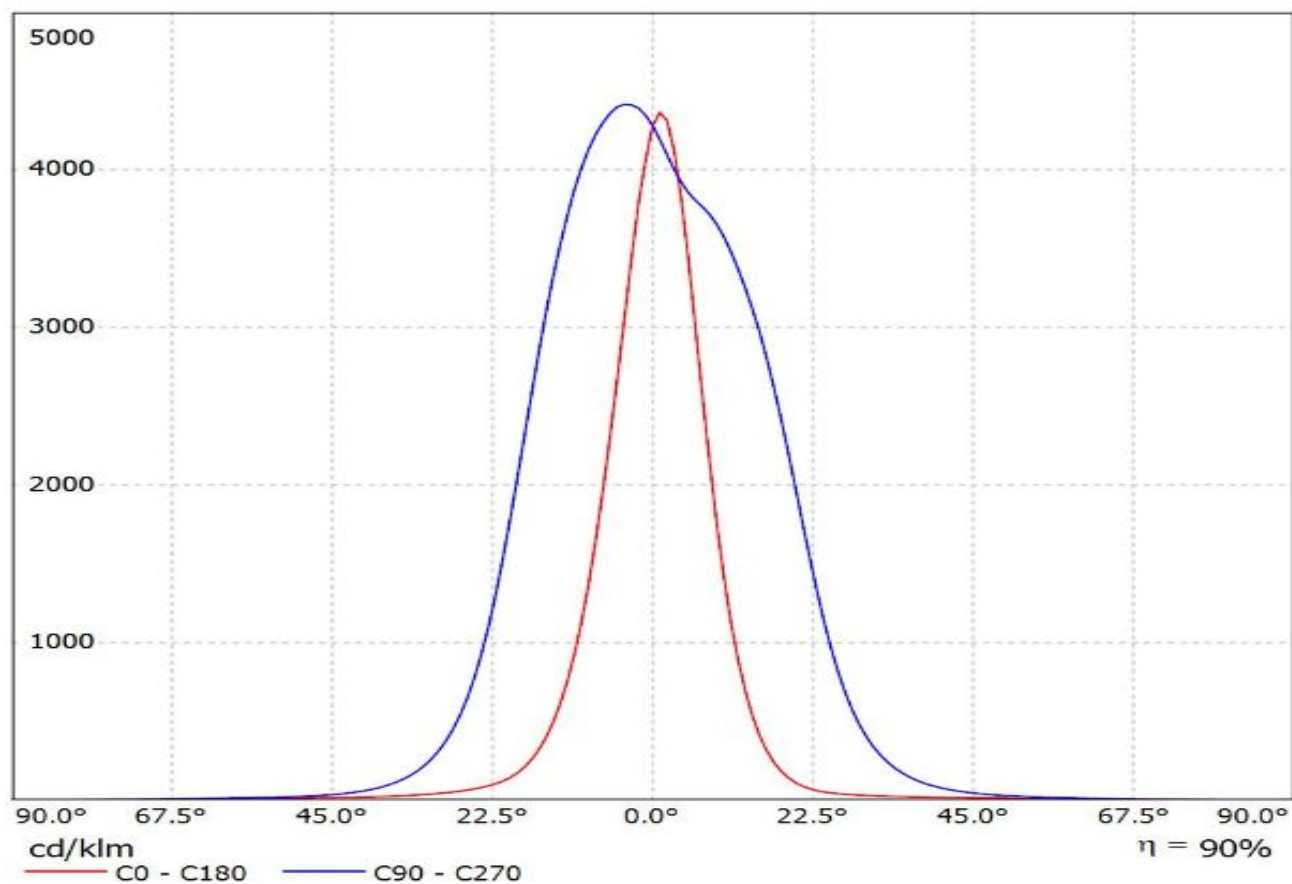
Luminaire: LEDiL Oy CA13637_G2-LAURA-O90-P_(Luxeon_Rebel_Plus)

Lamps: 1 x Philips_Lumileds_Luxeon_Rebel_Plus_(LX18-P130-3)_71.4609lm@250lm_P=0.74935W_I=0.2499A

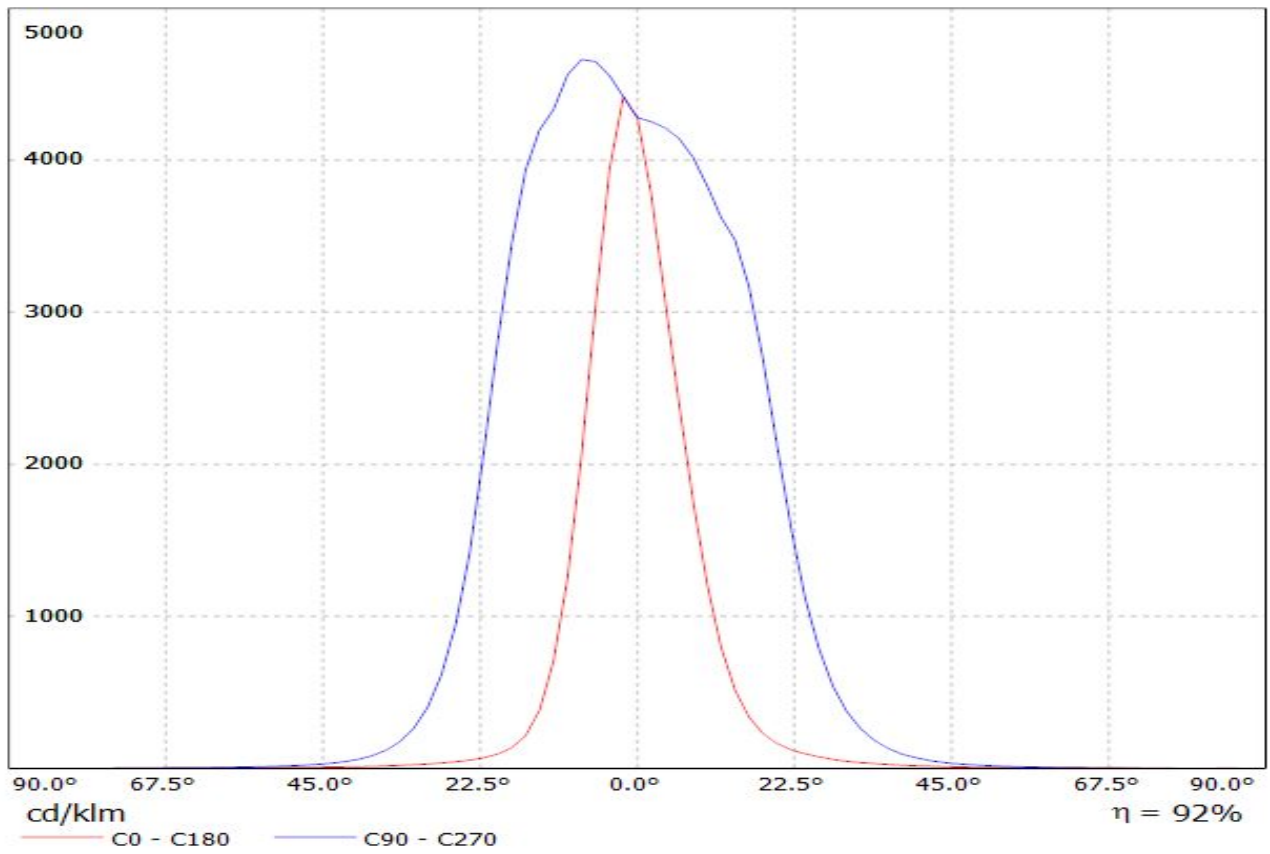


Luminaire: Ledil CA13637_G2-LAURA-O90-P_(LUXEON_3030_2D)

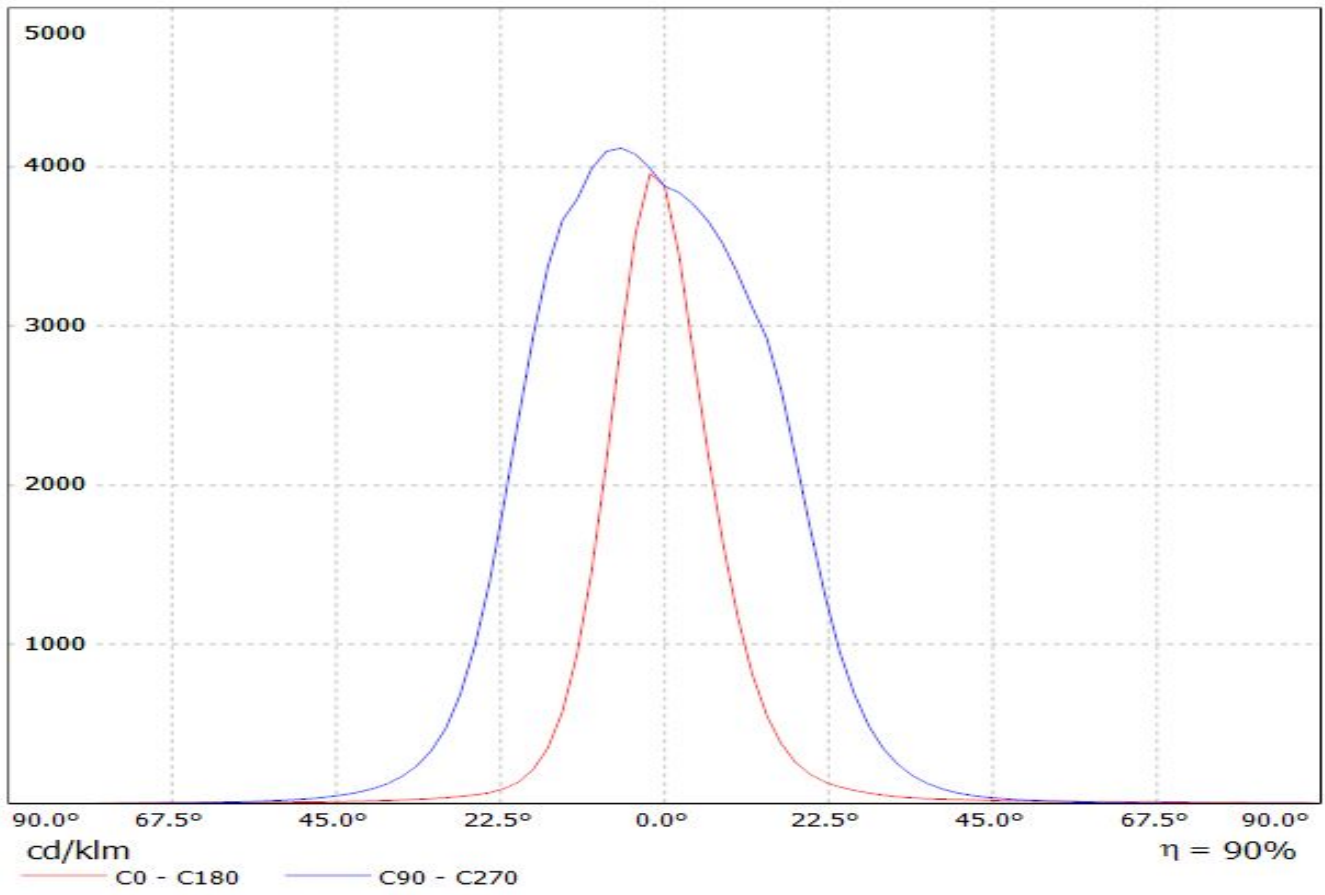
Lamps: 1 x LUXEON_3030_2D_(L130-5080)_73.2834lm@100mA_CCT=5000K_P=0.595784W_I=0.1A



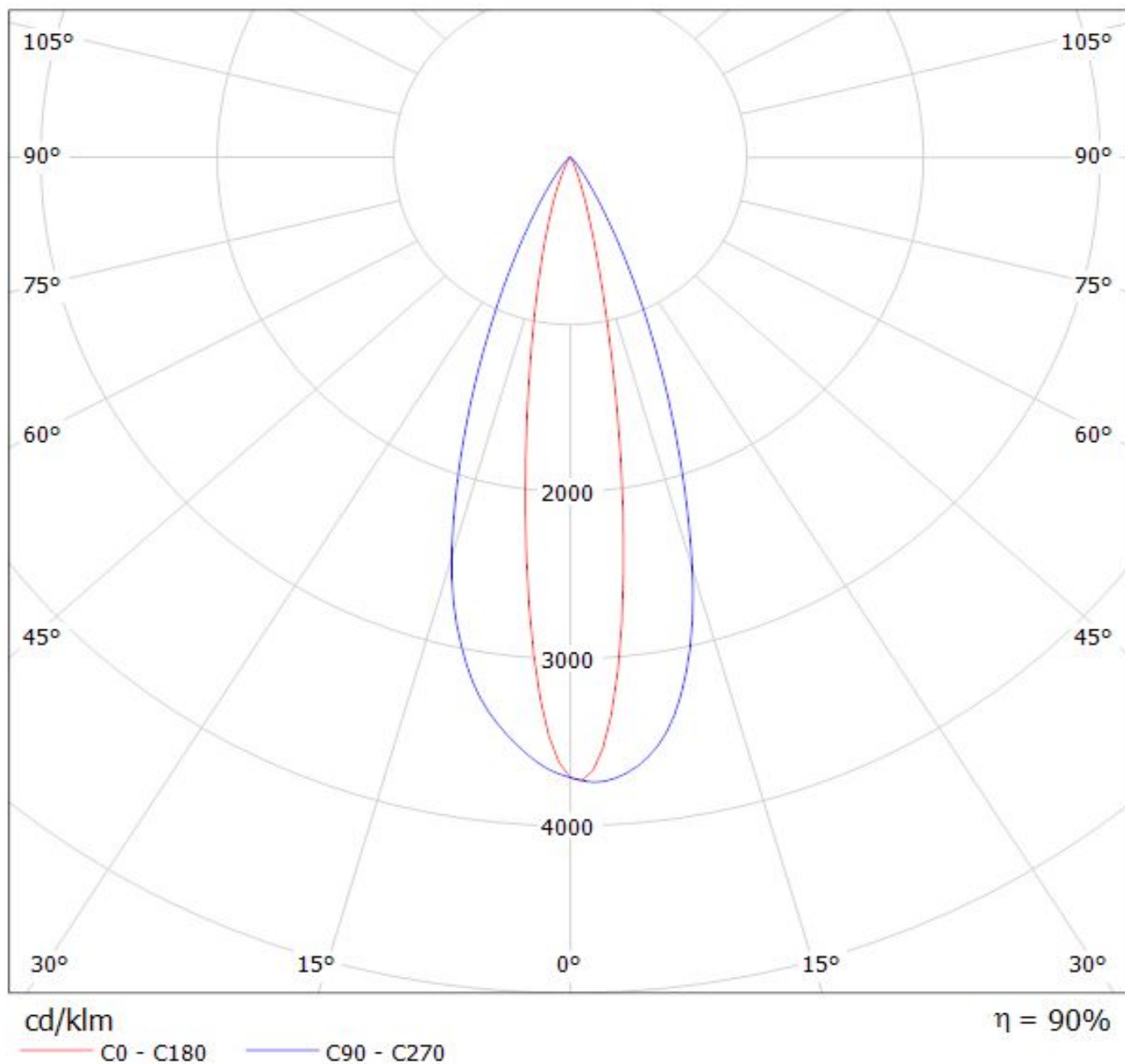
Luminaire: Ledil Oy CA13637_G2-LAURA-O90-P_(NCS19)
Lamps: 1 x Nichia NCSxx19A 67lm @ 250mA CCT= P=0.77W I=250mA



Luminaire: Ledil Oy CA13637_G2-LAURA-O90-P_(NVS19)
Lamps: 1 x Nichia NVSxx19A 93lm @ 250mA CCT= P=0.75W I=250mA

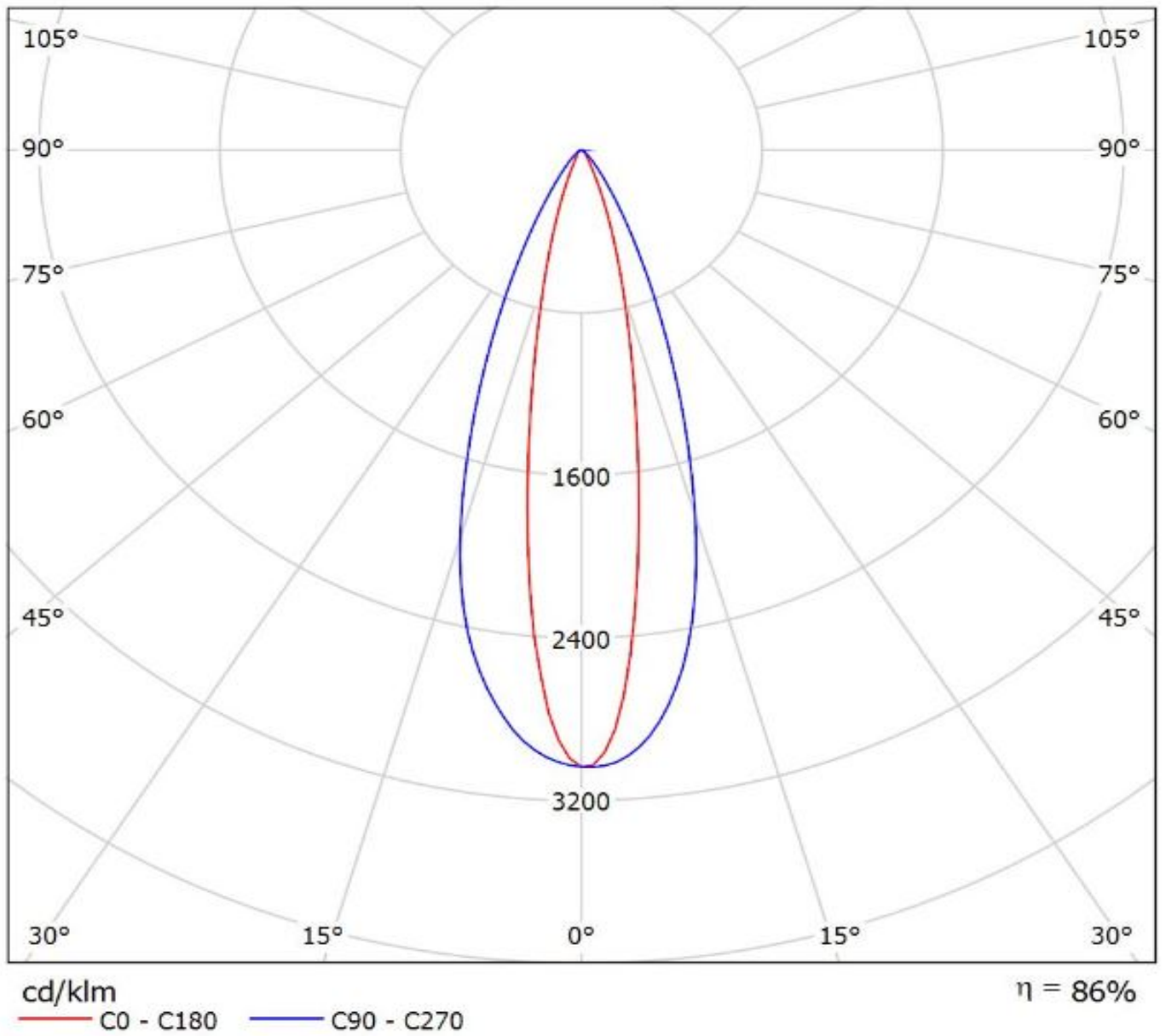


Luminaire: Ledil Oy CA13637_G2-LAURA-O90-P_(XP-L) Efficiency=89%
Lamps: 1 x Cree XP-L 125lm @ 250mA CCT= P=0.72W I=250mA

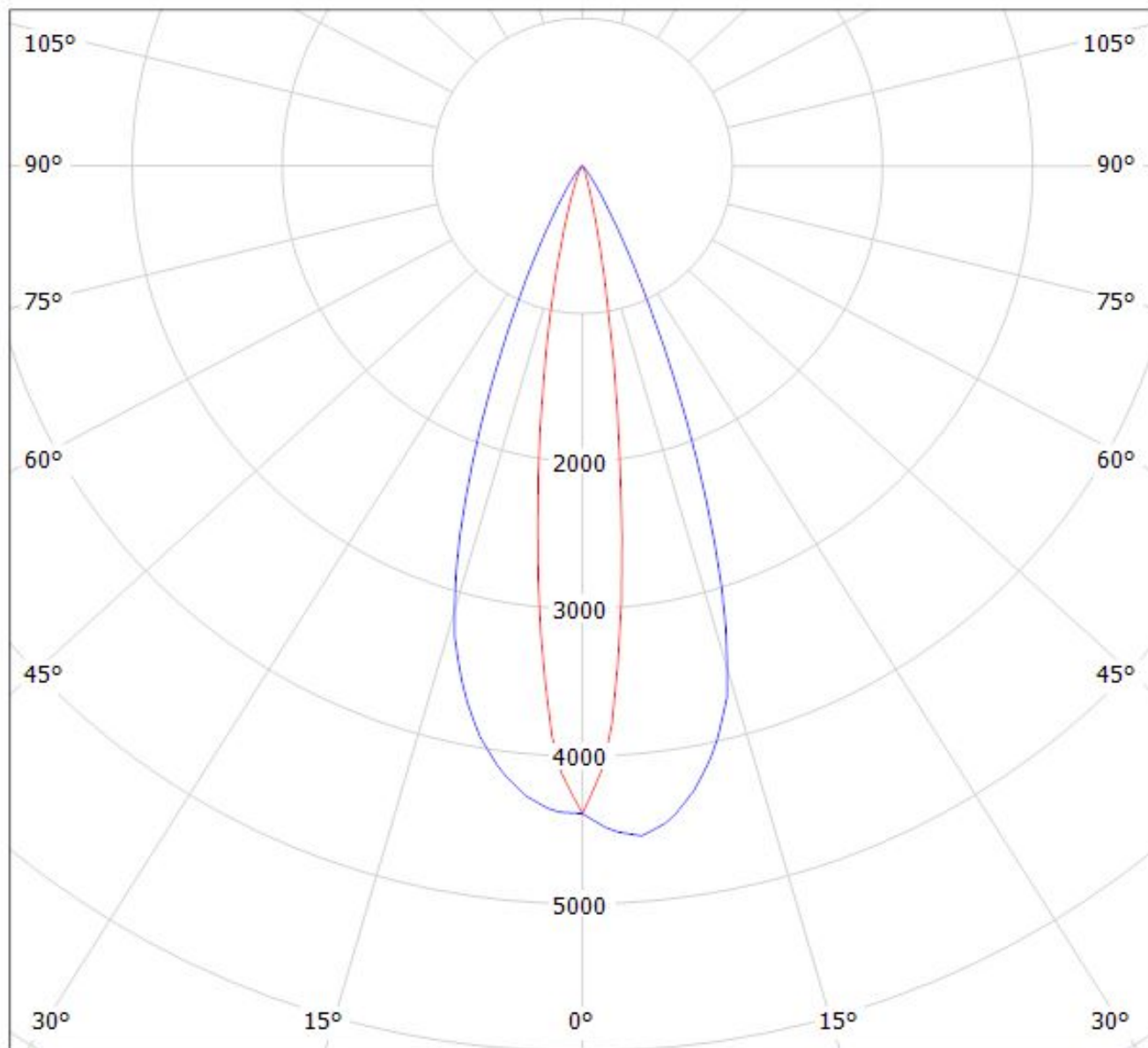


Luminaire: Ledil CA13637_G2-LAURA-O90-P_(XP-L2)

Lamps: 1 x Cree_XP-L2_(XPLWT-00-0000-000HU630G)_115.75lm@250mA_P=0.721375W_I=0.25A



Luminaire: Ledil Oy CA13637_G2-LAURA-O90-P_(Luxeon_TX) Efficiency=89%
Lamps: 1 x Luxeon TX (L1T2-3585) 108lm @ 250mA CCT=3521K P=0.73W I=250mA



cd/klm

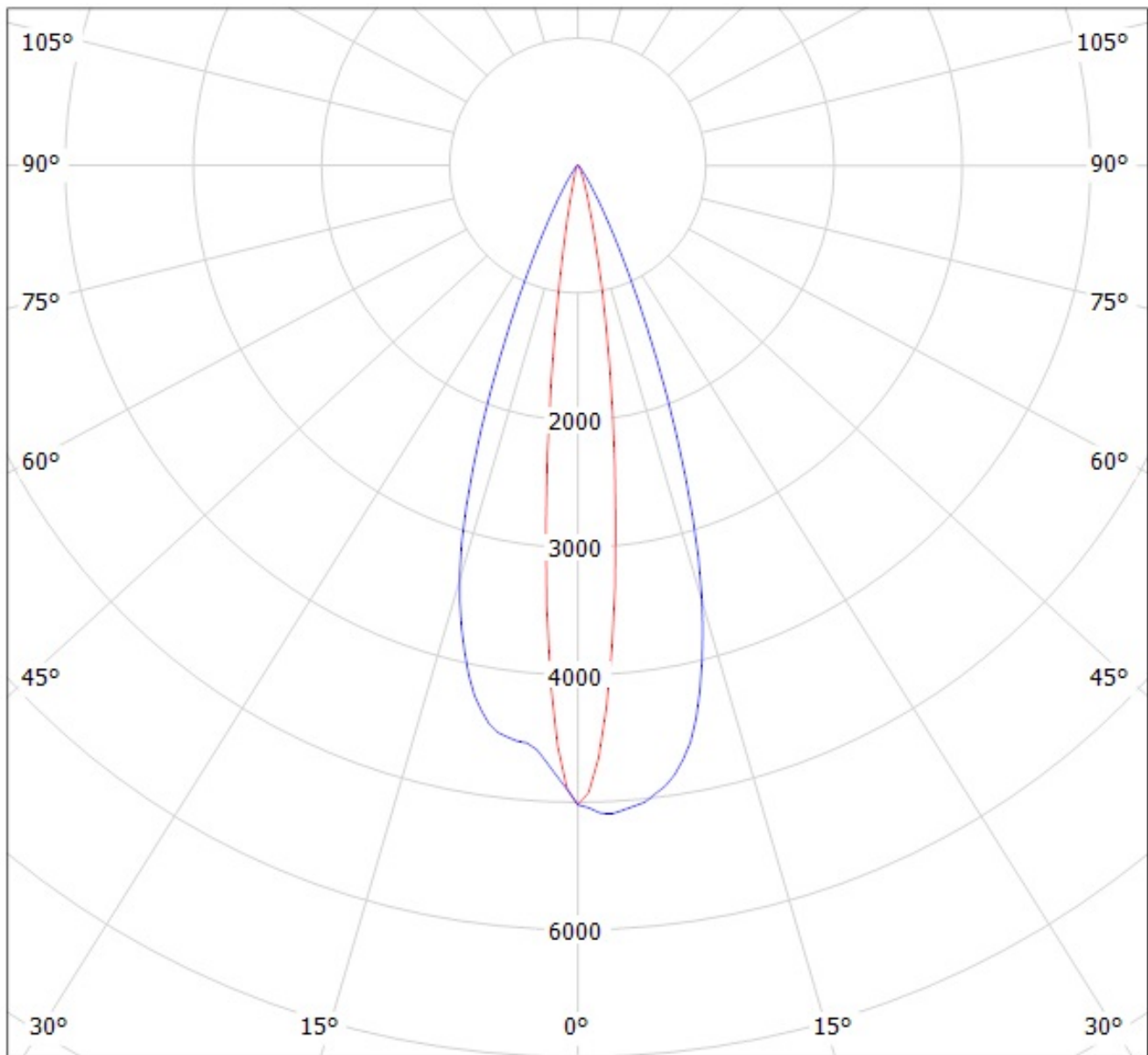
$\eta = 91\%$

— C0 - C180

— C90 - C270

Luminaire: LEDiL Oy CA13637_G2-LAURA-O90-P_(Luxeon_Rebel_Plus)

Lamps: 1 x Philips_Lumileds_Luxeon_Rebel_Plus_(LX18-P130-3)_71.4609lm@250lm_P=0.74935W_I=0.2499A



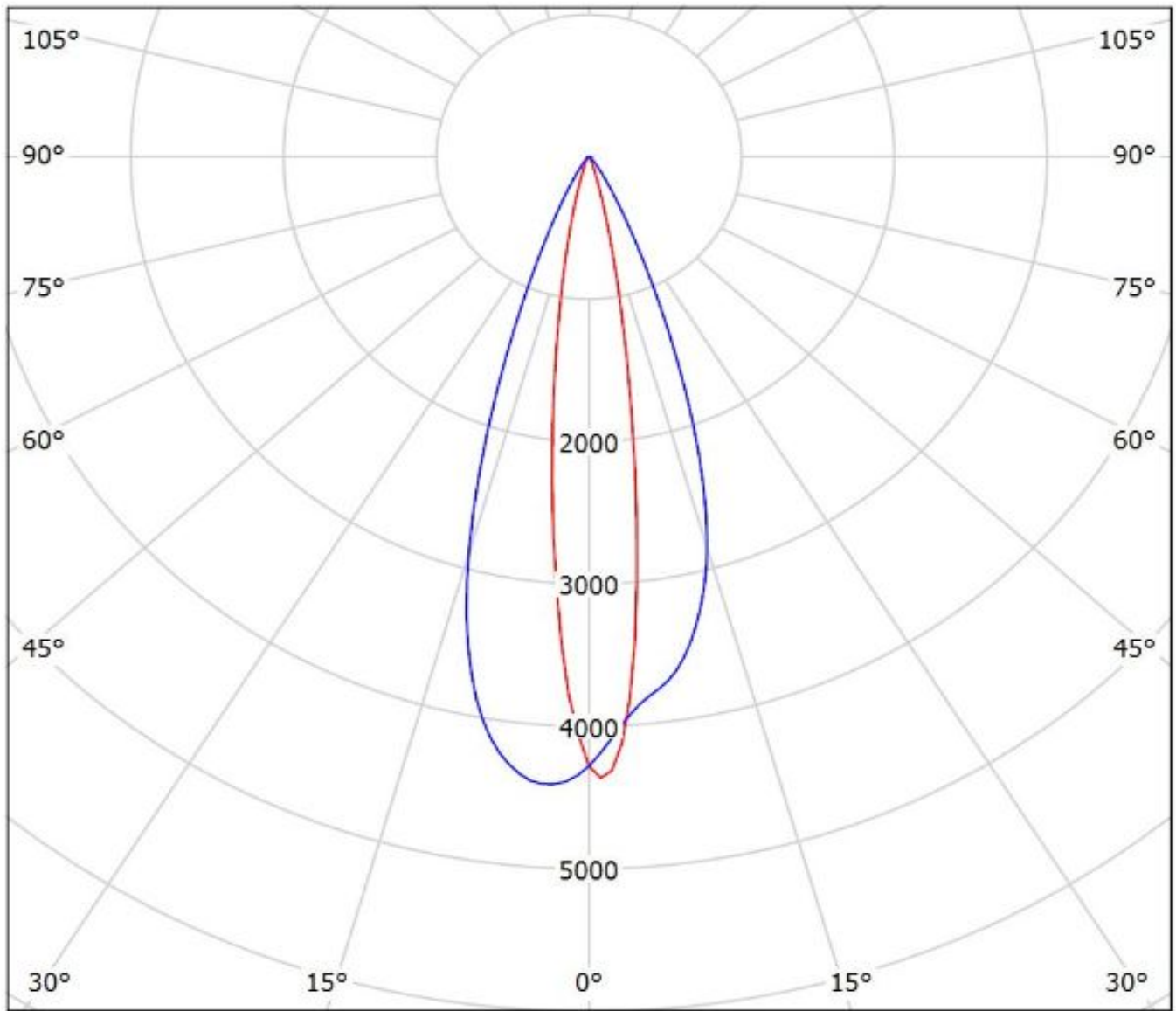
cd/klm

$\eta = 91\%$

— C0 - C180 — C90 - C270

Luminaire: Ledil CA13637_G2-LAURA-O90-P_(LUXEON_3030_2D)

Lamps: 1 x LUXEON_3030_2D_(L130-5080)_73.2834lm@100mA_CCT=5000K_P=0.595784W_I=0.1A



cd/klm

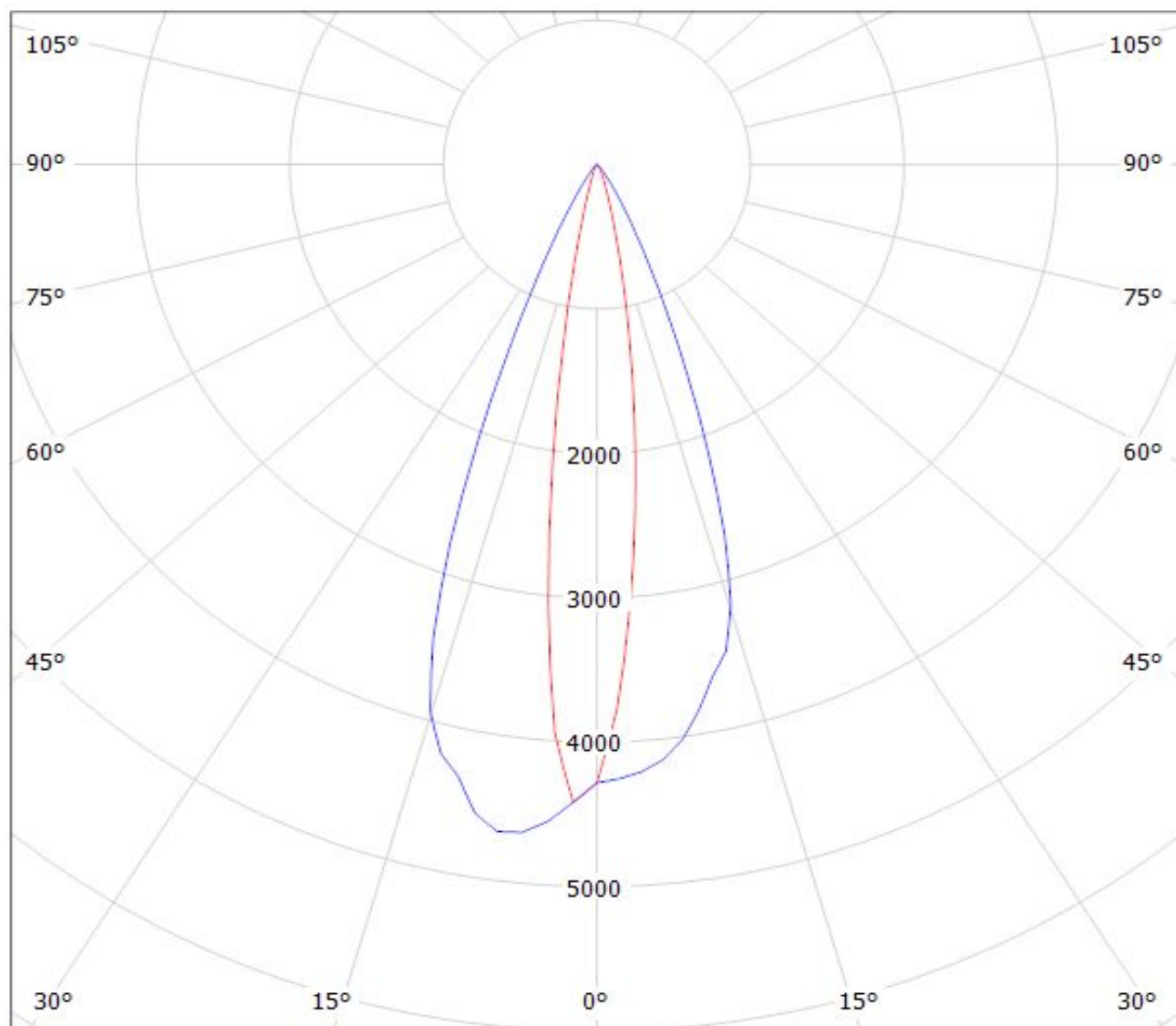
— C0 - C180

— C90 - C270

$\eta = 90\%$

Luminaire: Ledil Oy CA13637_G2-LAURA-090-P_(NCS19)

Lamps: 1 x Nichia NCSxx19A 67lm @ 250mA CCT= P=0.77W I=250mA



$\eta = 92\%$

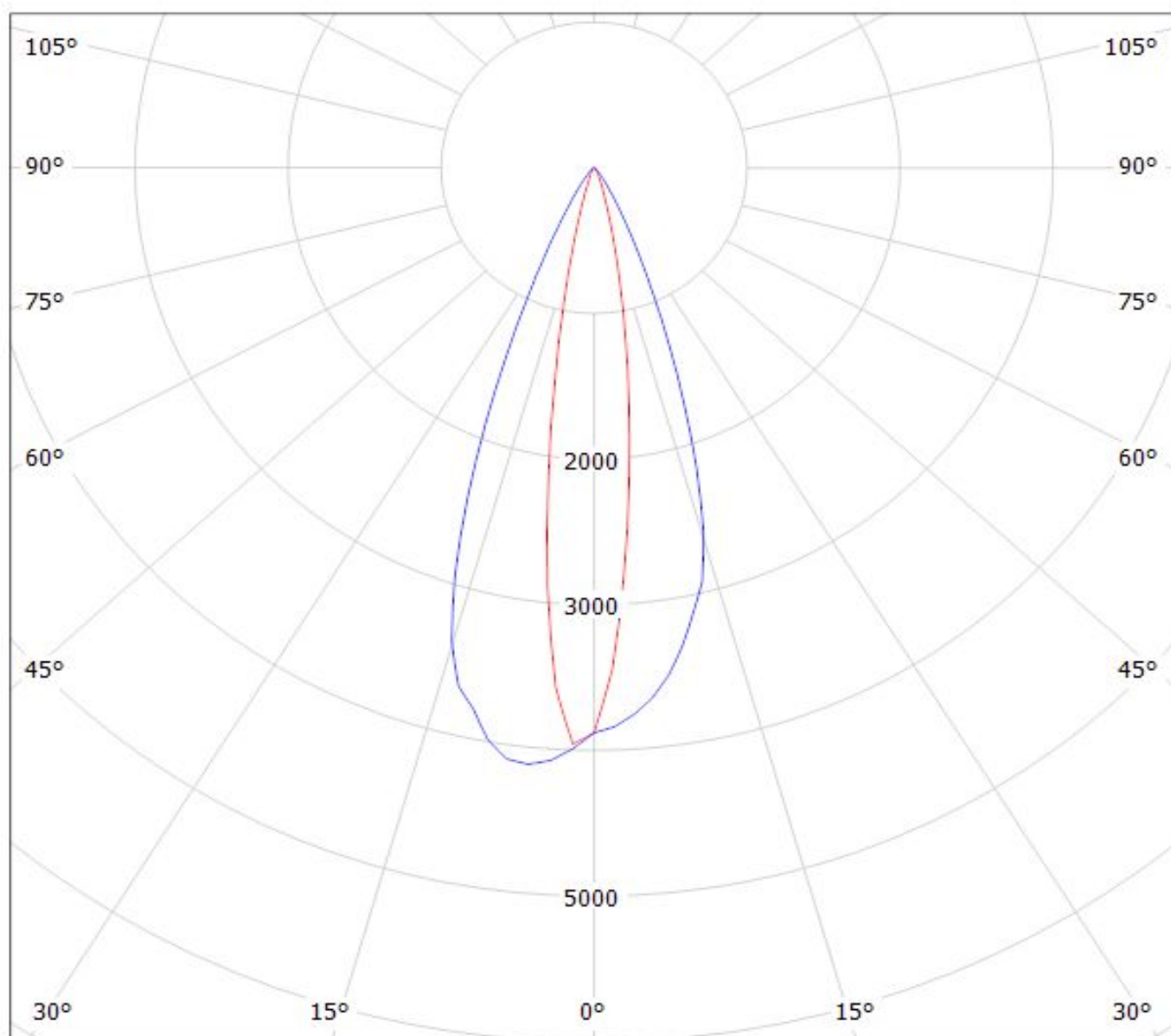
cd/klm

— C0 - C180

— C90 - C270

Luminaire: Ledil Oy CA13637_G2-LAURA-O90-P_(NVS19)

Lamps: 1 x Nichia NVSxx19A 93lm @ 250mA CCT= P=0.75W I=250mA



cd/klm

— C0 - C180

— C90 - C270

η = 90%

NOTE: The typical divergence will be changed by different color, chip size and chip position tolerance. The typical total divergence is the full angle measured where the luminous intensity is half of the peak value.