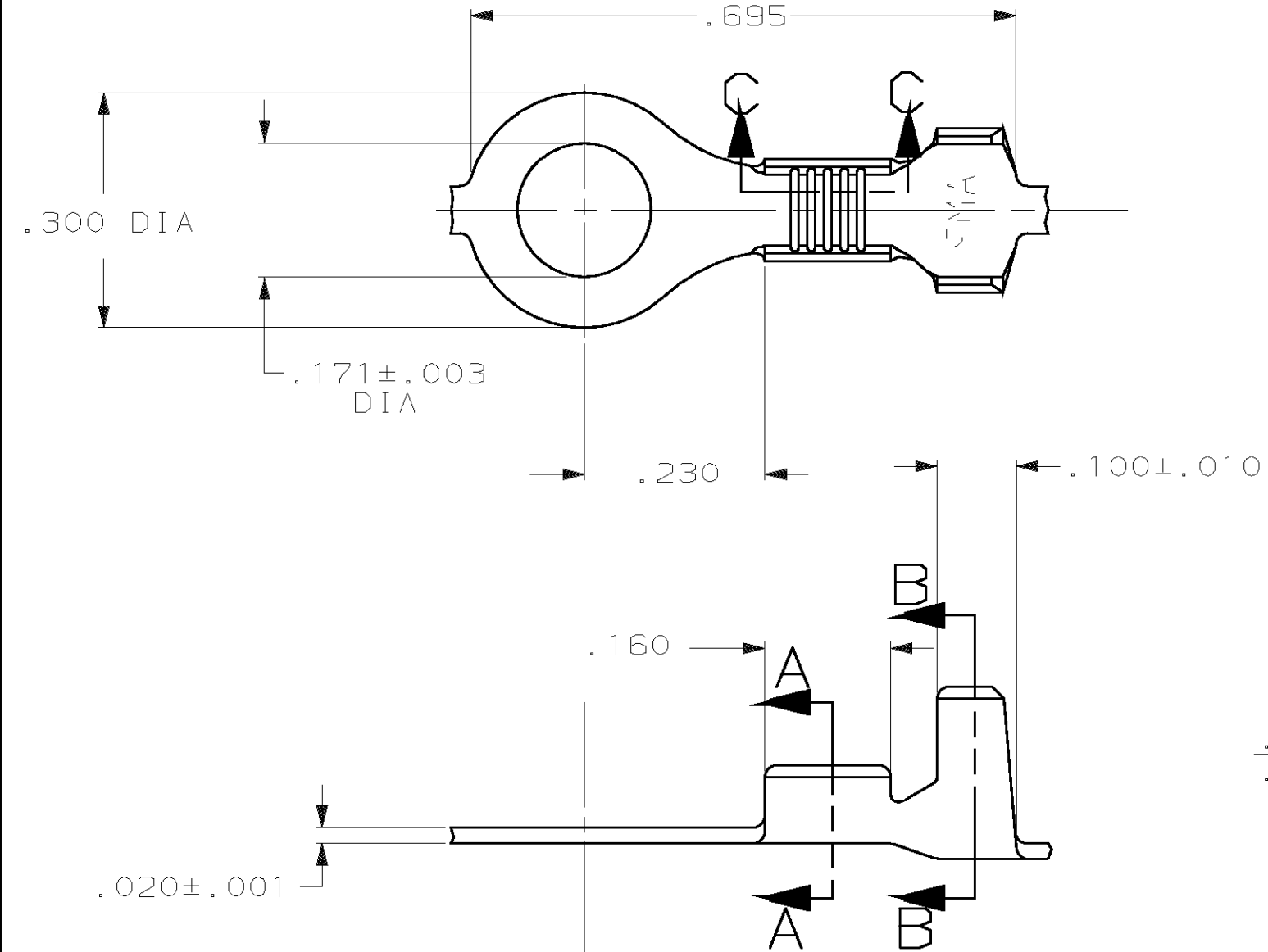
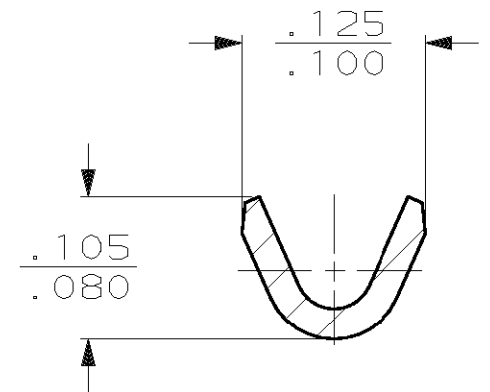


THIS DRAWING IS UNPUBLISHED. RELEASED FOR PUBLICATION, 19
 © COPYRIGHT 19 BY AMP INCORPORATED. ALL INTERNATIONAL RIGHTS RESERVED.

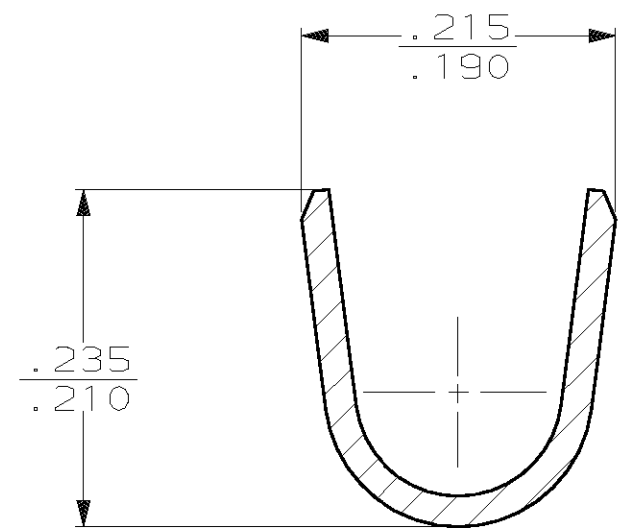
LOC	DIST	P	F	REVISIONS			DATE	APPD
AF	50			ZONE	LTR	DESCRIPTION		
					G	REVISED PER 063A-0315-01	MF-DD	08MAY01



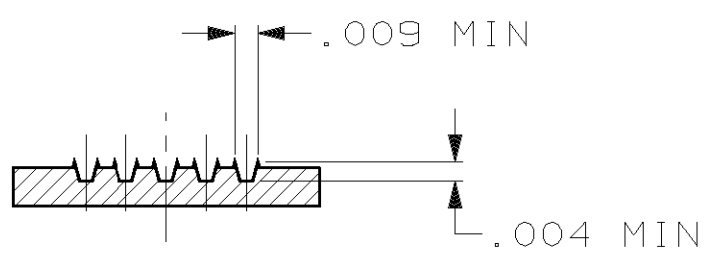
1 CONTINUOUS STRIP ON REELS



SECTION A-A
SCALE 8:1



SECTION B-B
SCALE 8:1



SECTION C-C
SCALE 10:1

.125-.165 DIA	23-19 AWG	60323-2
INSULATION RANGE	MAGNET WIRE RANGE	PART NO

DO NOT SCALE PRINT. UNLESS SPECIFIED DIMENSIONS IN INCHES TOLERANCES ON: 2 PLC DEC ± - 3 PLC DEC ± .015 ANGLES ± -	DR 3/1/90 P FORTNEY	AMP INCORPORATED Harrisburg, Pa. 17105
	CHK 3/1/90 MS FEHER	
	APPD 3/1/90 G YETTER	
	APPD 3/10/90 R KUZO	
MATERIAL #2 HARD BRASS	PRODUCT SPEC -	NAME #8 STUD RING, AMPLIVAR
FINISH .000080 MIN TIN PLATE	APPLICATION SPEC -	SIZE B
	WEIGHT -	CAGE CODE 00779
		DRAWING NO 60323
		SCALE 5:1
		SHEET 1 OF 1