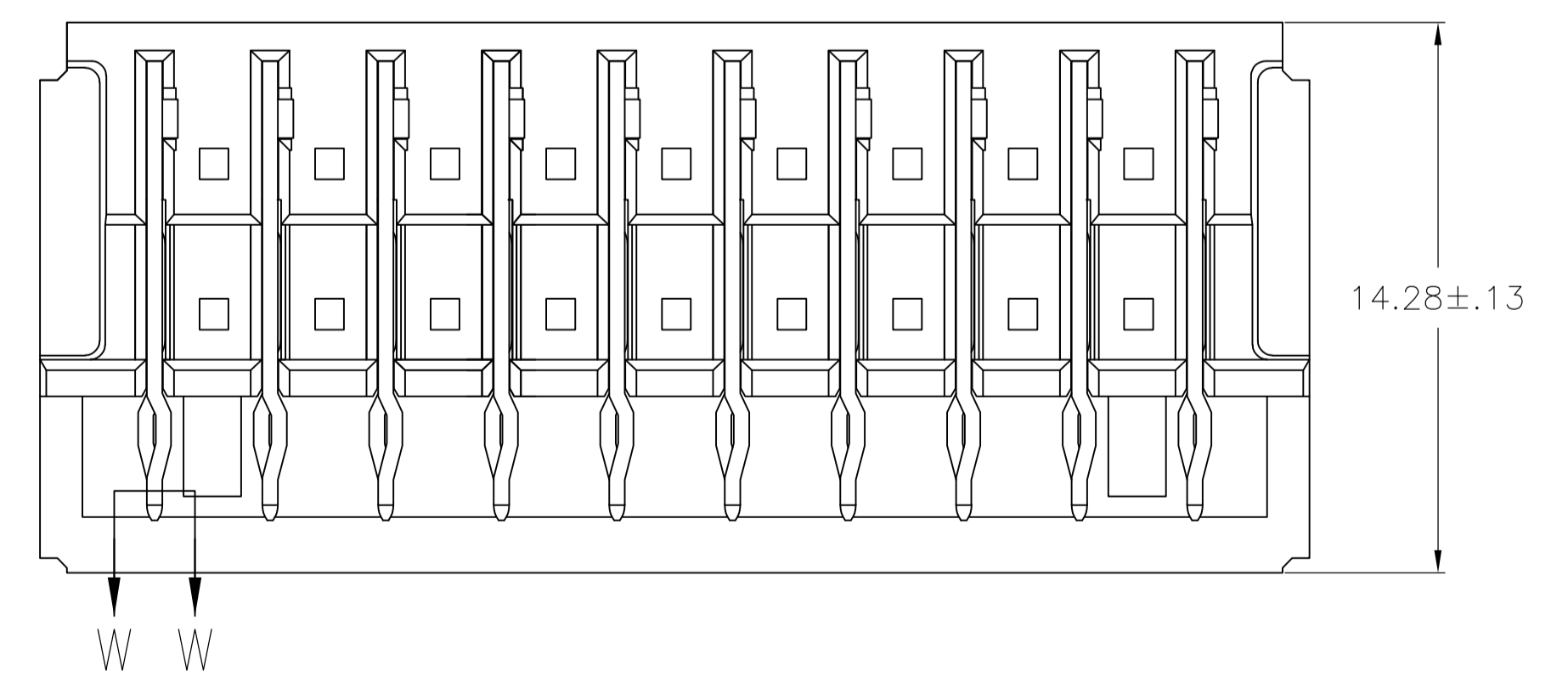
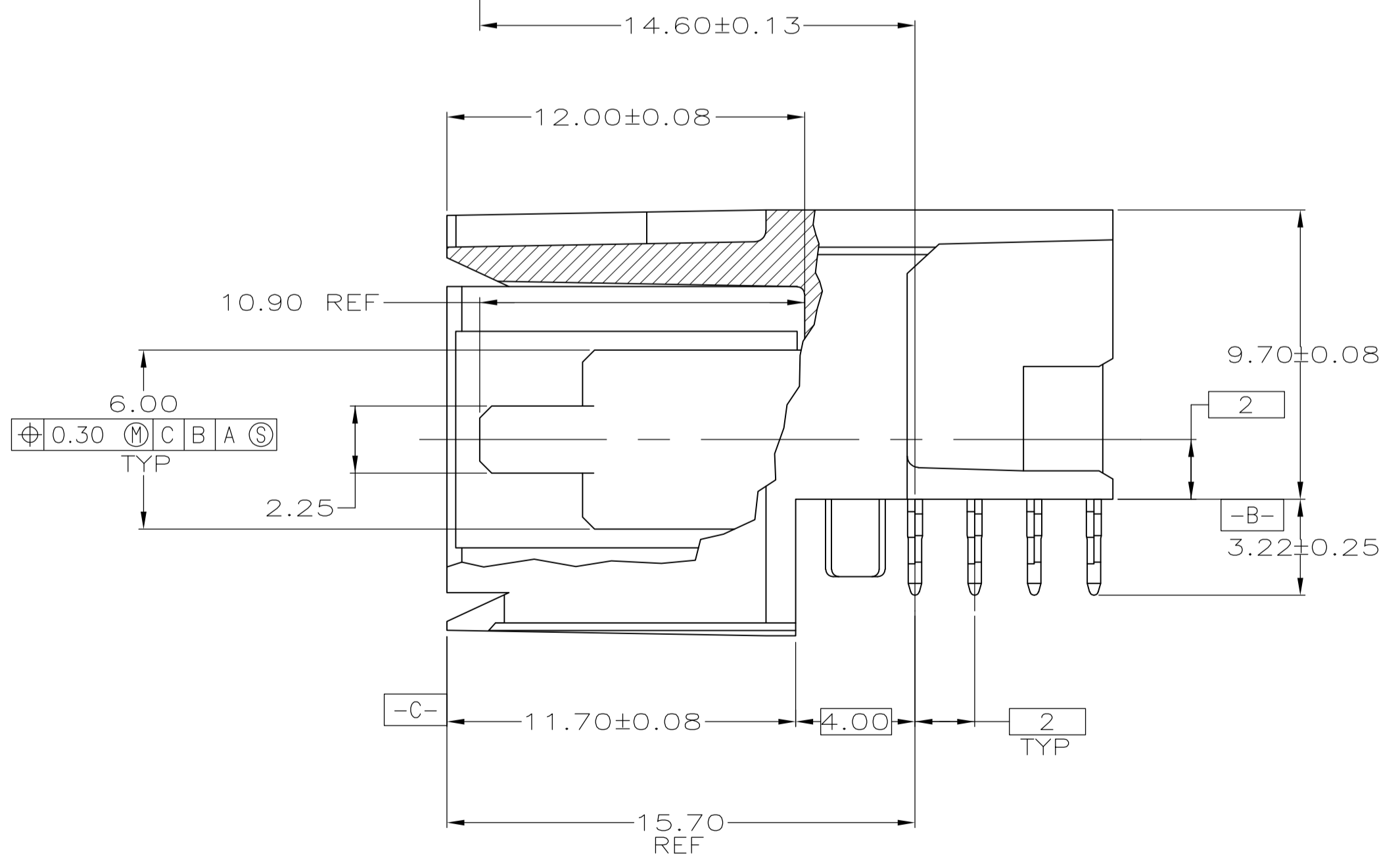
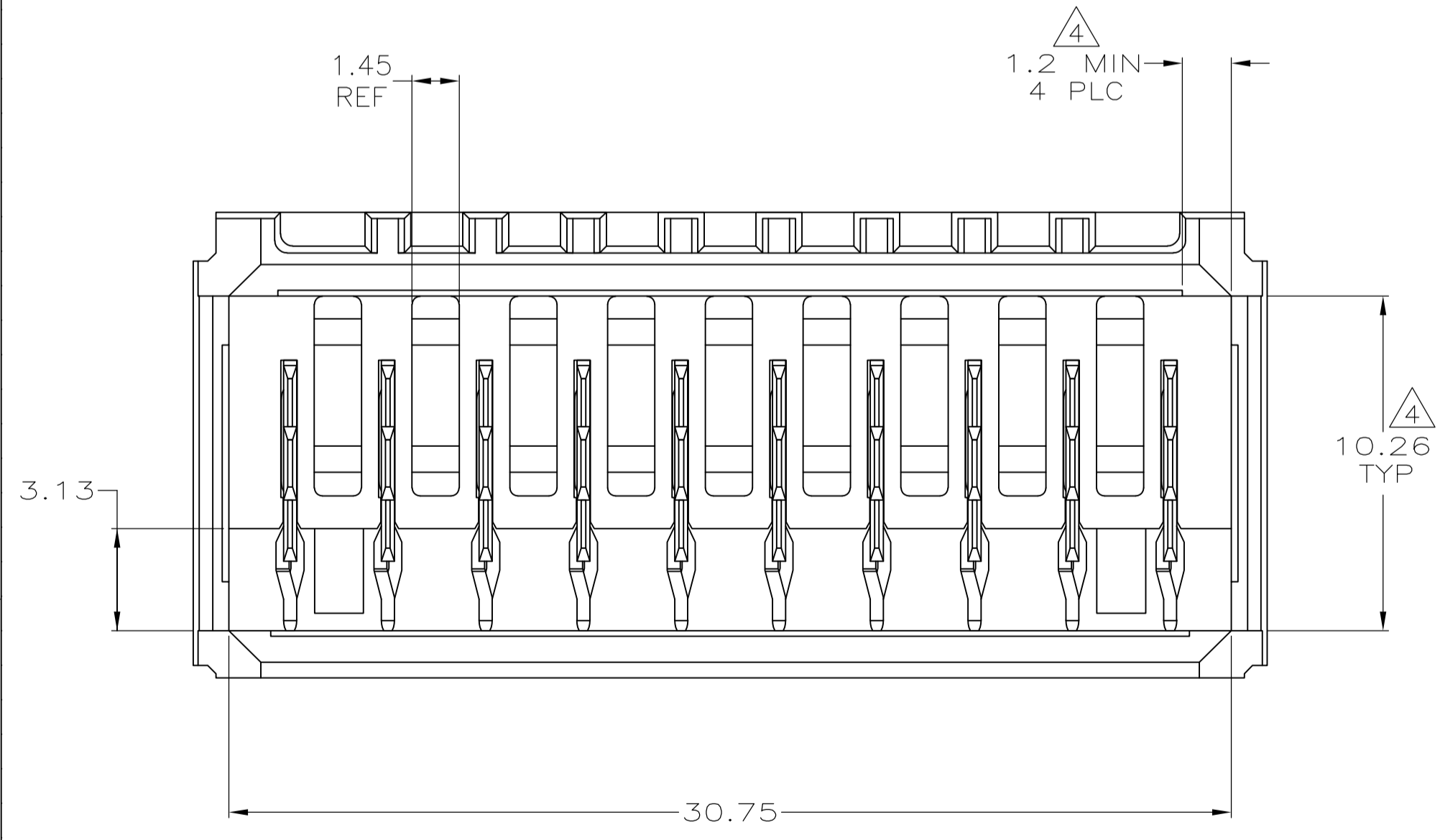
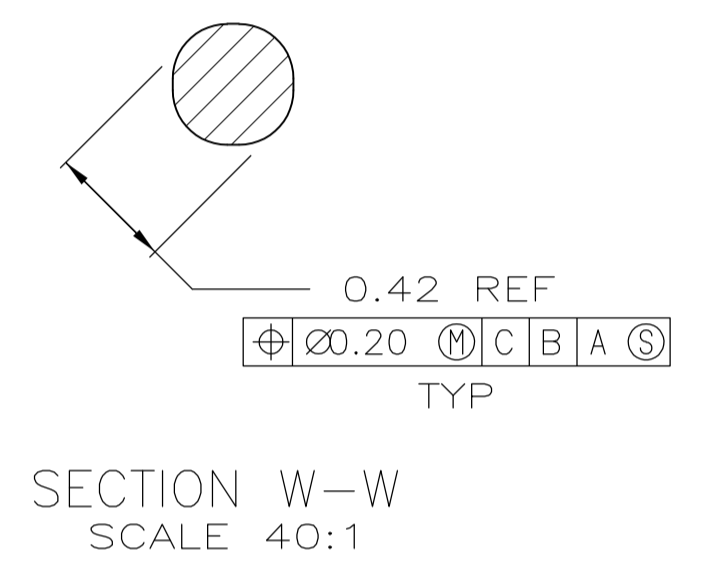


- $\Delta$  MATERIAL: HOUSING: POLYESTER. COLOR: GRAY. UL 94V-0. CONTACT: PHOSPHOR BRONZE.
- $\Delta$  FINISH: CONTACT MATING AREA: 1.27µm MIN GOLD OR 0.08µm MIN GOLD OVER 0.76µm MIN PALLADIUM-NICKEL. ACTION PIN AREA: 0.5µm MIN TIN LEAD PLATE, ALL OVER 1.27µm MIN NICKEL UNDERPLATE.
- $\Delta$  FINISH: CONTACT LUBRICATION WITH BELLCORE APPROVED LUBRICANT. TECHNICAL REFERENCE: GR-1217-CORE, ISSUE 1, NOVEMBER 1995.
- $\Delta$  THE 10.26±0.13 DIMENSION APPLIES IN THIS AREA.
- $\Delta$  REFERENCE APPLICATION SPEC 114-1103 FOR RECOMMENDED PLATED THRU HOLE DIAMETER AND PLATING THICKNESSES.
- 6. CURRENT RATING 10A/CONTACT PER PRODUCT SPEC 108-1651.



$\Delta$ 2	$\Delta$ 3	646960-1
FINISH	PART NUMBER	

THIS DRAWING IS A CONTROLLED DOCUMENT.		DIN B CARBO 10 OCT 01	Tyco Electronics Corporation Harrisburg, PA 17105-3608																	
DIMENSIONS: mm		CIK R PATTERSON 10 OCT 01																		
TOLERANCES UNLESS OTHERWISE SPECIFIED:		APVD R PATTERSON 10 OCT 01	NAME ASSEMBLY, RIGHT ANGLE HEADER, W/ RETENTION PEGS, UNIVERSAL POWER MODULE																	
<table border="1"> <tr><td>0 PLC</td><td>±</td><td>-</td></tr> <tr><td>1 PLC</td><td>±</td><td>-</td></tr> <tr><td>2 PLC</td><td>±</td><td>0.13</td></tr> <tr><td>3 PLC</td><td>±</td><td>-</td></tr> <tr><td>4 PLC</td><td>±</td><td>-</td></tr> <tr><td>ANGLES</td><td>±</td><td>-</td></tr> </table>		0 PLC		±	-	1 PLC	±	-	2 PLC	±	0.13	3 PLC	±	-	4 PLC	±	-	ANGLES	±	-
0 PLC	±	-																		
1 PLC	±	-																		
2 PLC	±	0.13																		
3 PLC	±	-																		
4 PLC	±	-																		
ANGLES	±	-																		
MATERIAL $\Delta$ 1		FINISH $\Delta$ 2	APPLICATION SPEC																	
CUSTOMER DRAWING		SIZE A1	RESTRICTED TO																	
SCALE 6:1		WEIGHT	SIZE CAGE CODE DRAWING NO																	
SHEET 1 OF 1		REV E	SCALE 6:1 SHEET 1 OF 1 REV E																	