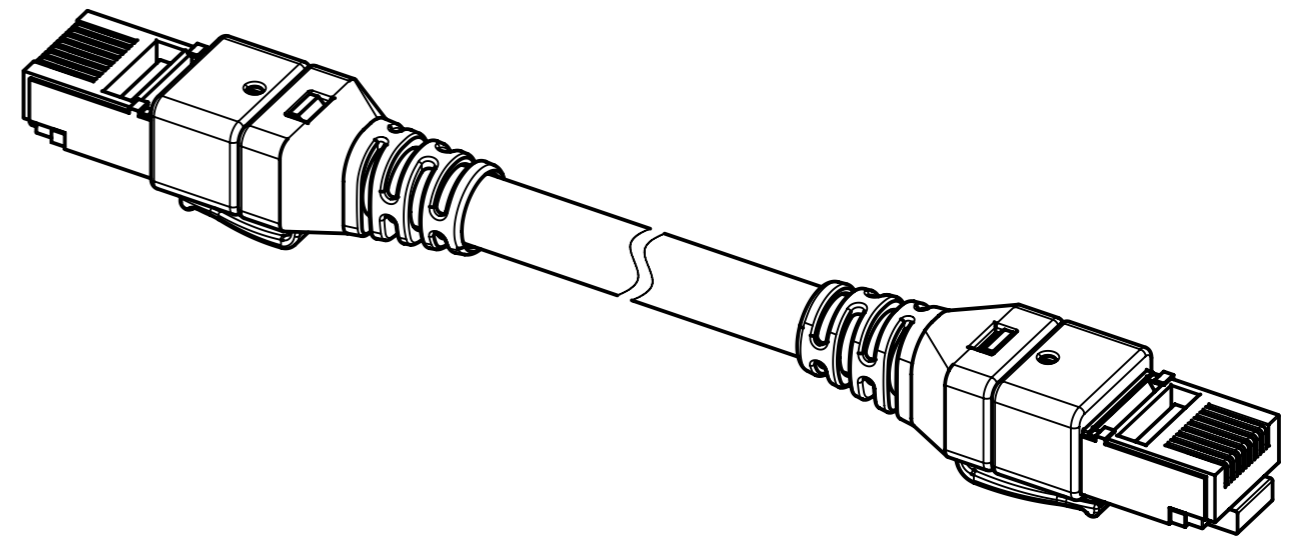
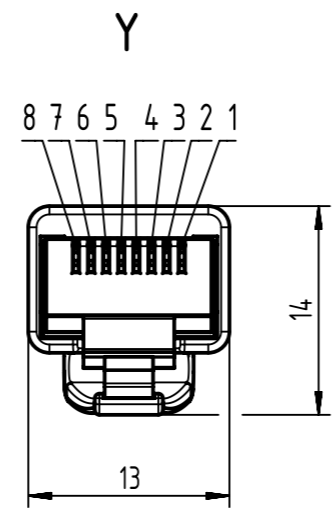
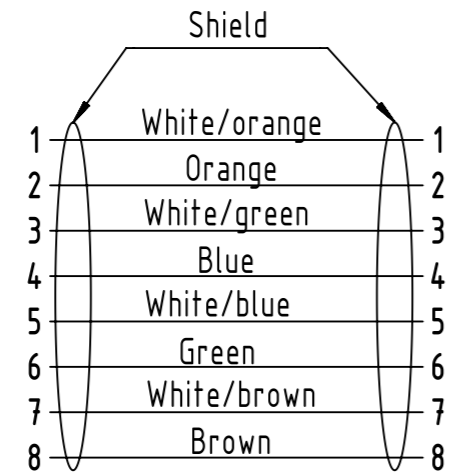
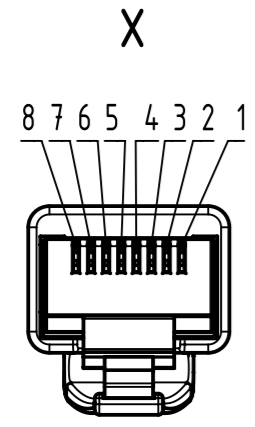


Mating face RJ45  
acc. to IEC 60603-7

Overmoulded body, grey

Protection latch yellow

Loading plan acc. to  
TIA/EIA 568B




For lengths < 1,0m:  
- relative positioning of the connectors to each other will be as presented in the drawing,  
however with an admissible angular deviation around cable axis of  $\pm 30^\circ$   
For lengths  $\geq 1,0m$ :  
-relative positioning of the connectors to each other not obligatory

- Transmission properties in accordance with IEC 61935-2 Cat.5e  
- Protection level: IP20

	All Dimensions in mm Original Size DIN A3		Scale 2:1	Free size tol.		Ref.	
	All rights reserved Department EC PD - RO		Created by TAMAS	Inspected by AVRAM	Standardisation HOFFMANN	Date 2013-10-01	State Final Release
HARTING Electronics GmbH D-32339 Espelkamp		Title RJ Industrial cable assembly				Doc-Key / ECM-Nr. 100170398/UGD/016/A 50000066887	
		Type TB	Number 094747470XX			Rev. A	Page 1/2

Cont. no.	Part-No.	Type of cable	Dim. a[m]
29	09474747029	4x2AWG 26/7 SF/UTP Cat.5e PUR	50.0
28	09474747028		40.0
27	09474747026		35.0
26	09474747027		30.0
25	09474747025		25.0
24	09474747023		20.0
23	09474747022		15.0
22	09474747021		10.0
21	09474747020		9.0
20	09474747019		8.0
19	09474747018		7.5
18	09474747017		7.0
17	09474747016		6.0
16	09474747015		5.0
15	09474747014		4.0
14	09474747024		3.5
13	09474747013		3.0
12	09474747012		2.5
11	09474747011		2.0
10	09474747010		1.5
9	09474747009		1.0
8	09474747008		0.9
7	09474747007		0.8
6	09474747006		0.7
5	09474747005		0.6
4	09474747004		0.5
3	09474747003		0.4
2	09474747002		0.3
1	09474747001		0.2

	All rights reserved Department EC PD - RO	Created by TAMAS	Inspected by AVRAM	Standardisation HOFFMANN	Date 2013-10-01	State Final Release
HARTING Electronics GmbH D-32339 Espelkamp		Title RJ Industrial cable assembly			Doc-Key / ECM-Nr. 100170398/UGD/016/A 50000066887	
		Type TB	Number 094747470XX		Rev. A	Page 2/2