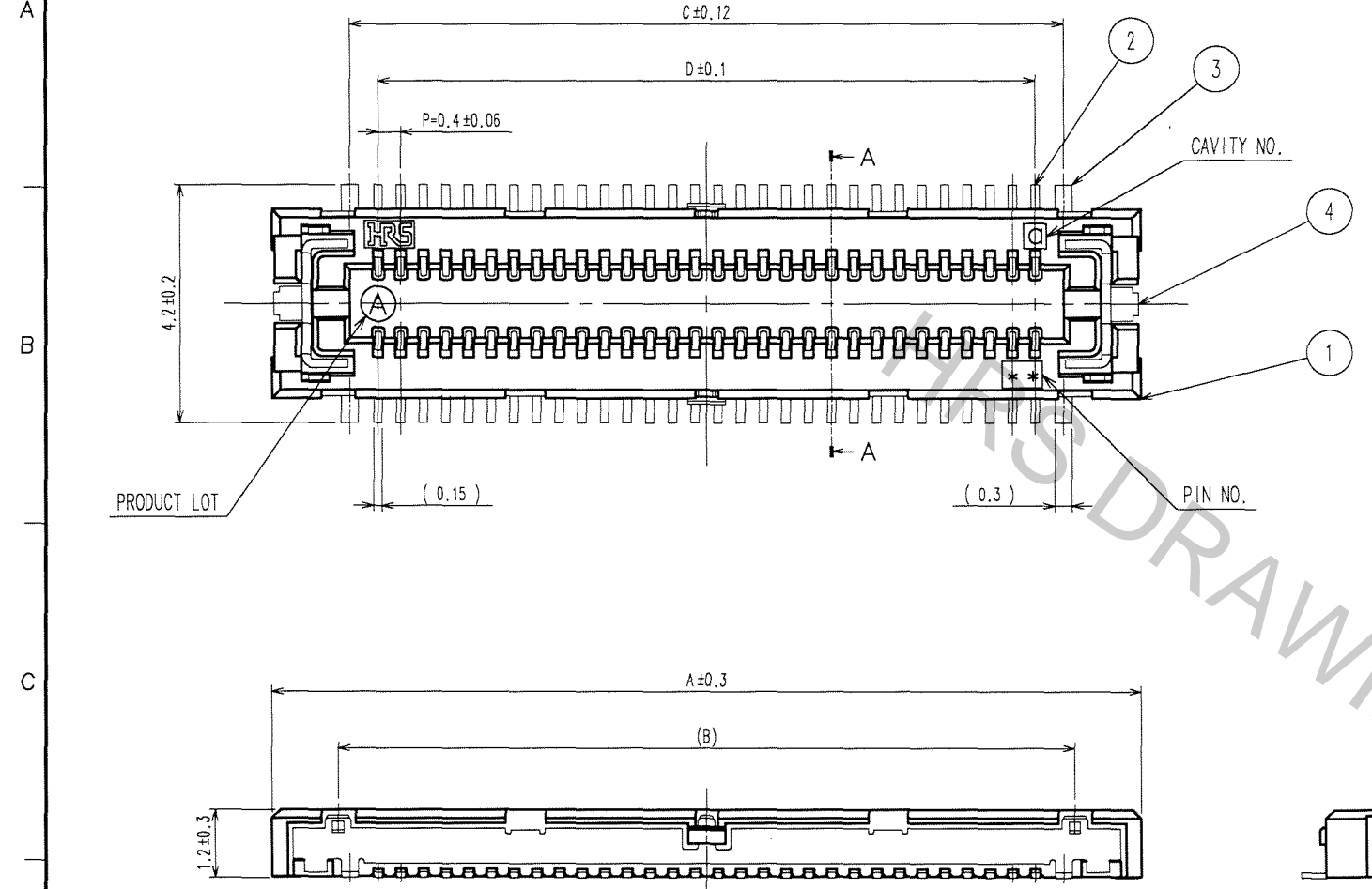
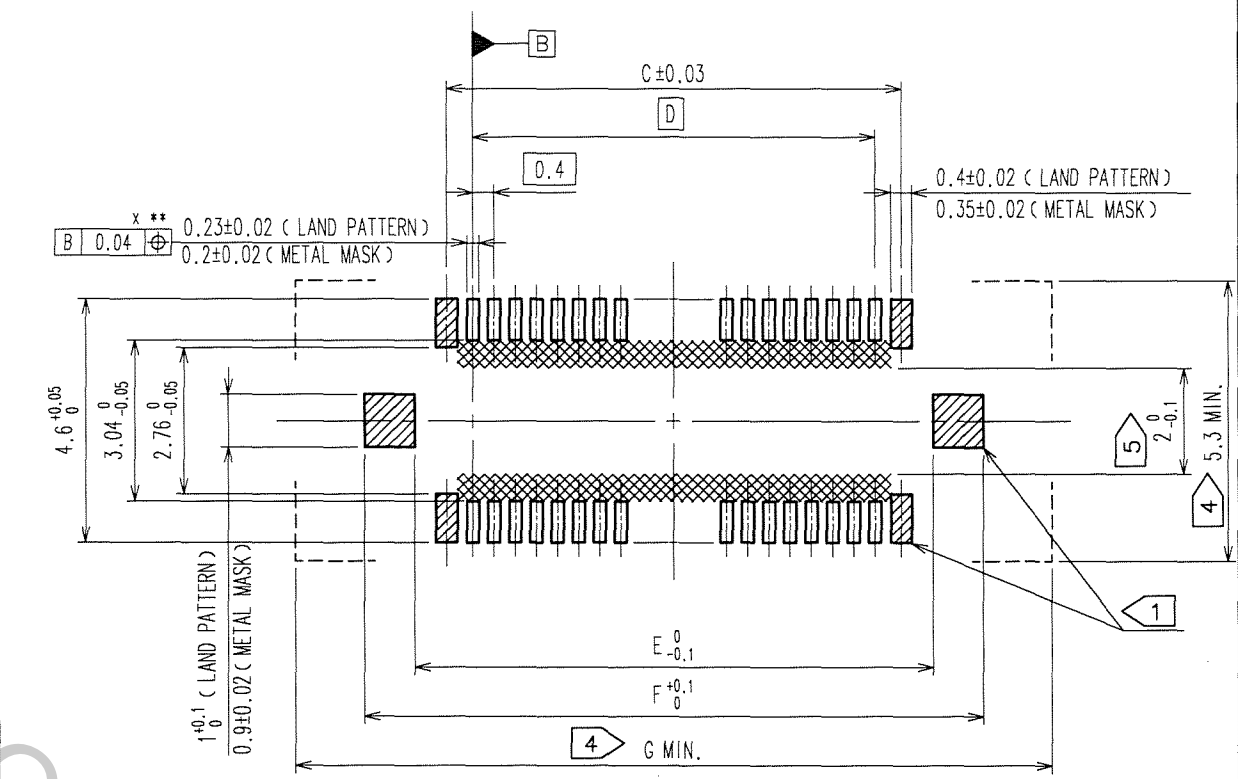


Apr.1.2017 Copyright 2017 HIROSE ELECTRIC CO., LTD. All Rights Reserved.

COUNT	DESCRIPTION OF REVISIONS	BY	CHKD	DATE	COUNT	DESCRIPTION OF REVISIONS	BY	CHKD	DATE

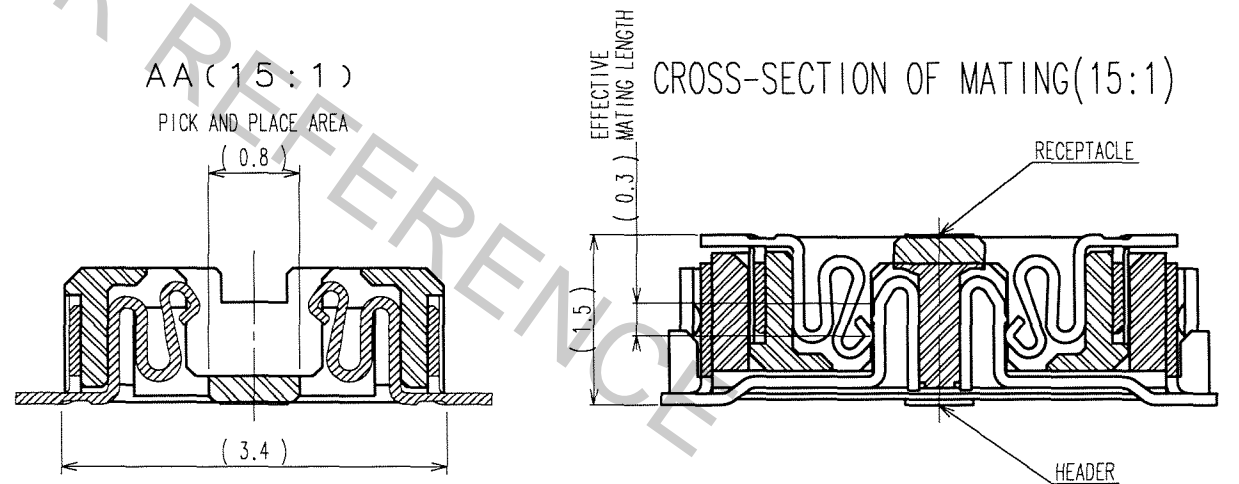


RECOMMENDED LAND PATTERN (FREE)



- NOTES
- 1 6 HATCHED PARTS:GROUND CIRCUIT.
 - 2 SMT LEAD-COPLANARITY:0.1MAX.
 - 3 THIS PRODUCT HAS NO POLARITY TO PATTERN FOR MOUNTING.
 - 4 DO NOT MOUNT OTHER DEVICES ONTO AREA, OR MATING PAIR CANNOT BE MATED.
 - 5 MAKE SURE WIDTH OF PATTERN IS WITHIN THAT OF LAND, OR LEAD MAY TOUCH PATTERN.(THIS APPLIES TO HATCHED AREA)
 - 6 THE DIMENSIONS IN PARENTHESES ARE FOR REFERENCE.

PART NO.	CODE NO.	A	B	C	D	E	F	G
FX12B-24S-0.4SV	CL573-1006-3-00	8.14	5.8	5.4	4.4	6.6	8.5	11.1
FX12B-40S-0.4SV	CL573-1002-2-00	11.34	9	8.6	7.6	9.8	11.7	14.3
FX12B-50S-0.4SV	-	13.34	11	10.6	9.6	11.8	13.7	16.3
FX12B-60S-0.4SV	CL573-1008-9-00	15.34	13	12.6	11.6	13.8	15.7	18.3



4	PHOSPHOR BRONZE	TIN-PLATING	2	PHOSPHOR BRONZE	CONTACT AREA:GOLD 0.1μ m min.
3	PHOSPHOR BRONZE	GOLD FLASH			LEAD AREA:GOLD FLASH
1	POLYAMIDE	BLACK,UL94V-0			UNDER PLATING:NICKEL 1μ m min.
NO.	MATERIAL	FINISH, REMARKS	NO.	MATERIAL	FINISH, REMARKS

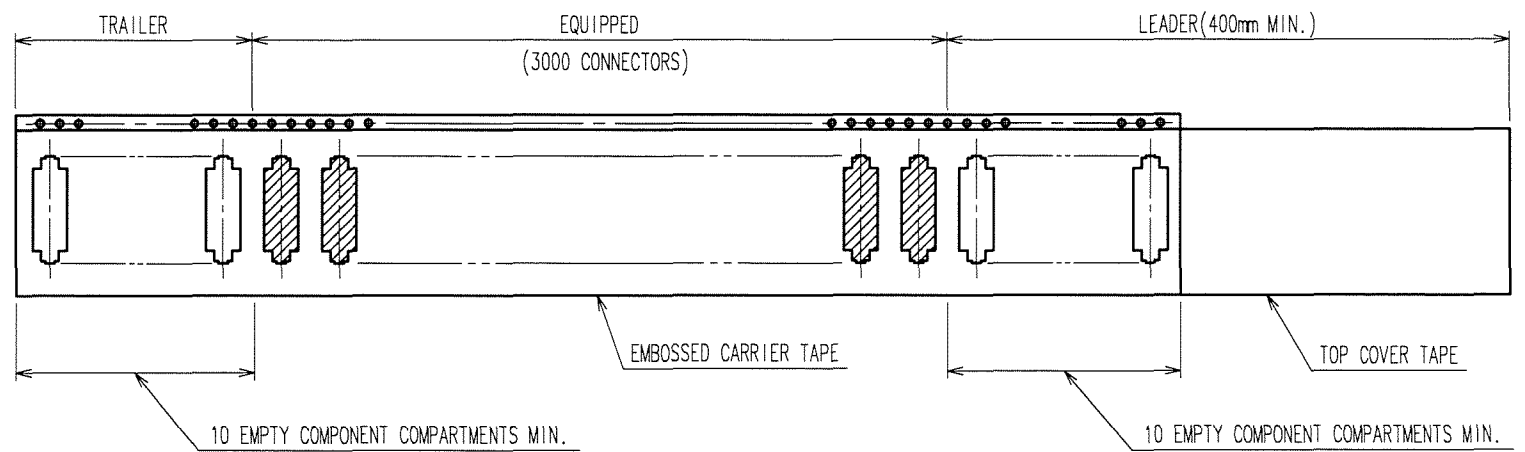
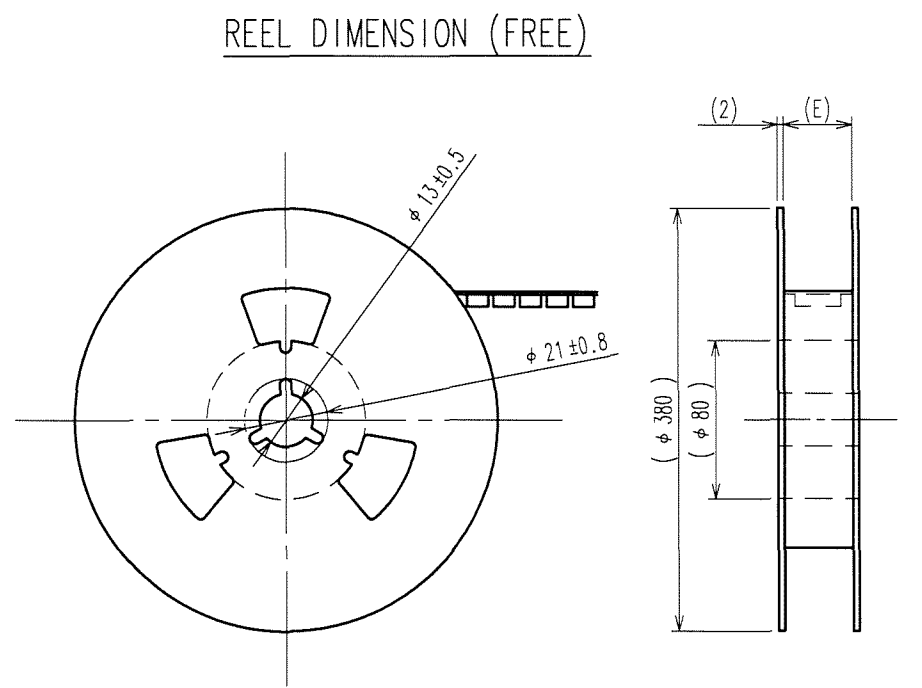
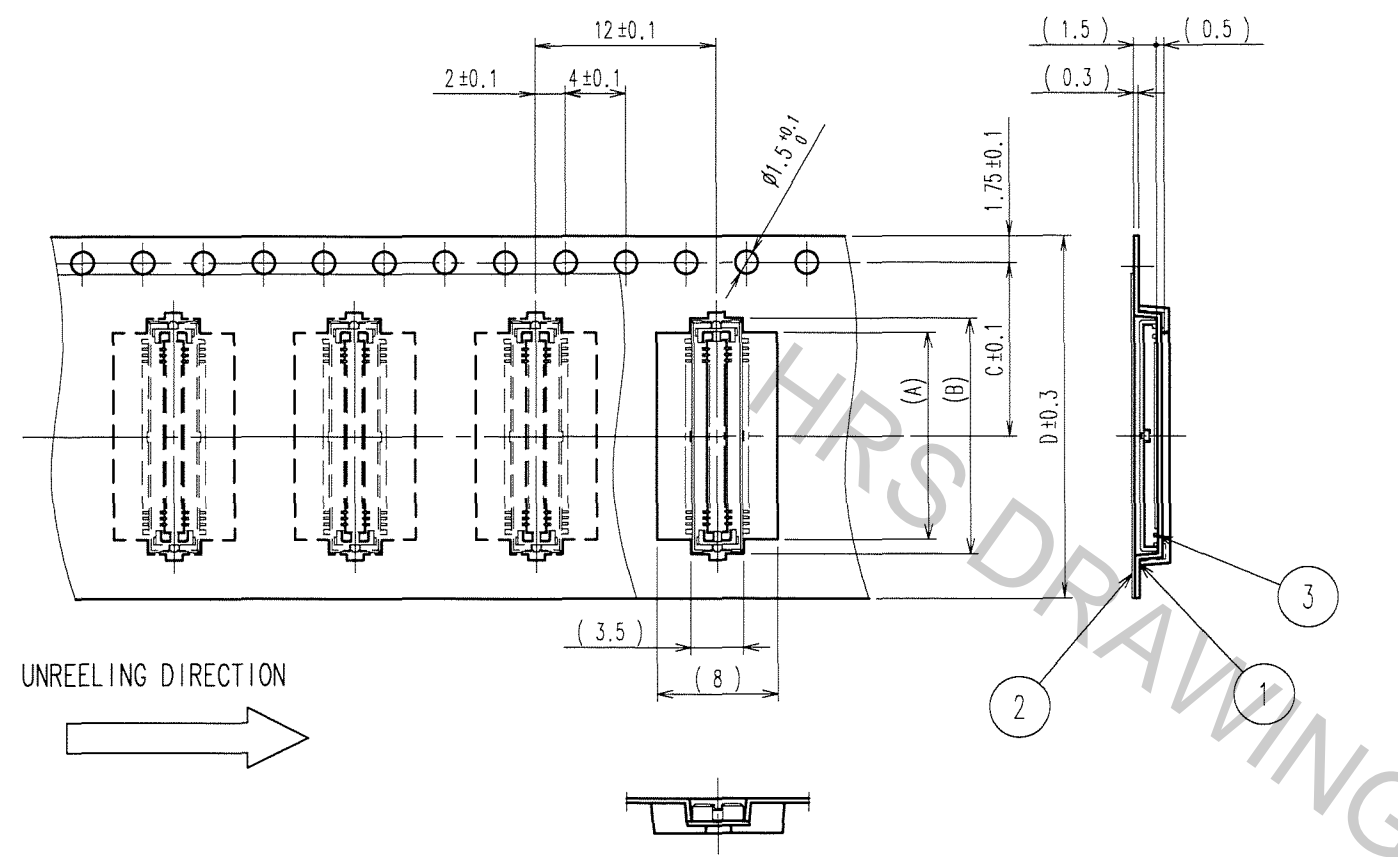
CODE NO. (OLD)	DRAWN	DESIGNED	CHECKED	APPROVED	RELEASED
	T.NODA '06.04.10	<i>T.Noda</i> '06.04.11	<i>H.Yamaguchi</i> '06.04.11	<i>H.Okawa</i> '06.04.11	

SCALE FREE	DRAWING NO. EDC3-156245	PART NO. FX12B-*S-0.4SV
UNITS mm	HRS HIROSE ELECTRIC CO., LTD	CODE NO. CL573

TO

Apr.1.2017 Copyright 2017 HIROSE ELECTRIC CO., LTD. All Rights Reserved.

COUNT	DESCRIPTION OF REVISIONS	BY	CHKD	DATE	COUNT	DESCRIPTION OF REVISIONS	BY	CHKD	DATE



PART NO.	CODE NO.	A	B	C	D	E
FX12B-24S-0.4SV	CL573-1006-3-00	6.5	8.4	11.5	24	24.4
FX12B-40S-0.4SV	CL573-1002-2-00	9.7	11.6	11.5	24	24.4
FX12B-50S-0.4SV		11.7	13.6	11.5	24	24.4
FX12B-60S-0.4SV	CL573-1008-9-00	13.7	15.6	11.5	24	24.4

NOTE 1. 1 REEL : 3000 CONNECTORS.
 2. THE DIMENSIONS IN PARENTHESES ARE FOR REFERENCE.

3		(CONNECTOR)
2	POLYESTER	(TOP COVER TAPE)
1	POLYSTYRENE	(EMBOSSED CARRIER TAPE)

NO.	MATERIAL	FINISH, REMARKS	NO.	MATERIAL	FINISH, REMARKS		
CODE NO. (OLD)			DRAWN	DESIGNED	CHECKED	APPROVED	RELEASED
DRAWING FOR PACKAGING			T.NODA	T.Noda	H. Yamaguchi	H. Okawa	
			'06.04.10	'06.04.11	'06.04.11	'06.04.11	
SCALE		DRAWING NO.	PART NO.				
2 : 1		EDC3-156245	FX12B-*S-0.4SV				
UNITS		HIROSE ELECTRIC CO., LTD	CODE NO.		CL573		2
mm							

TO