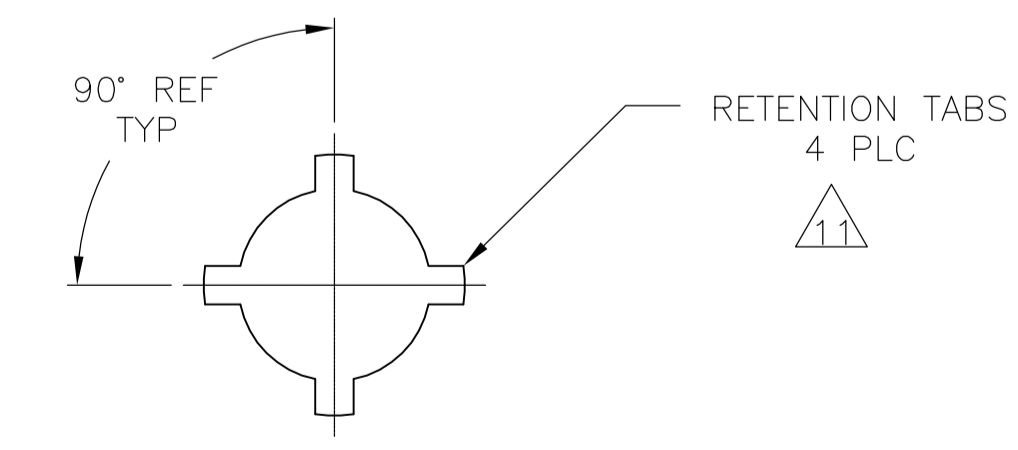
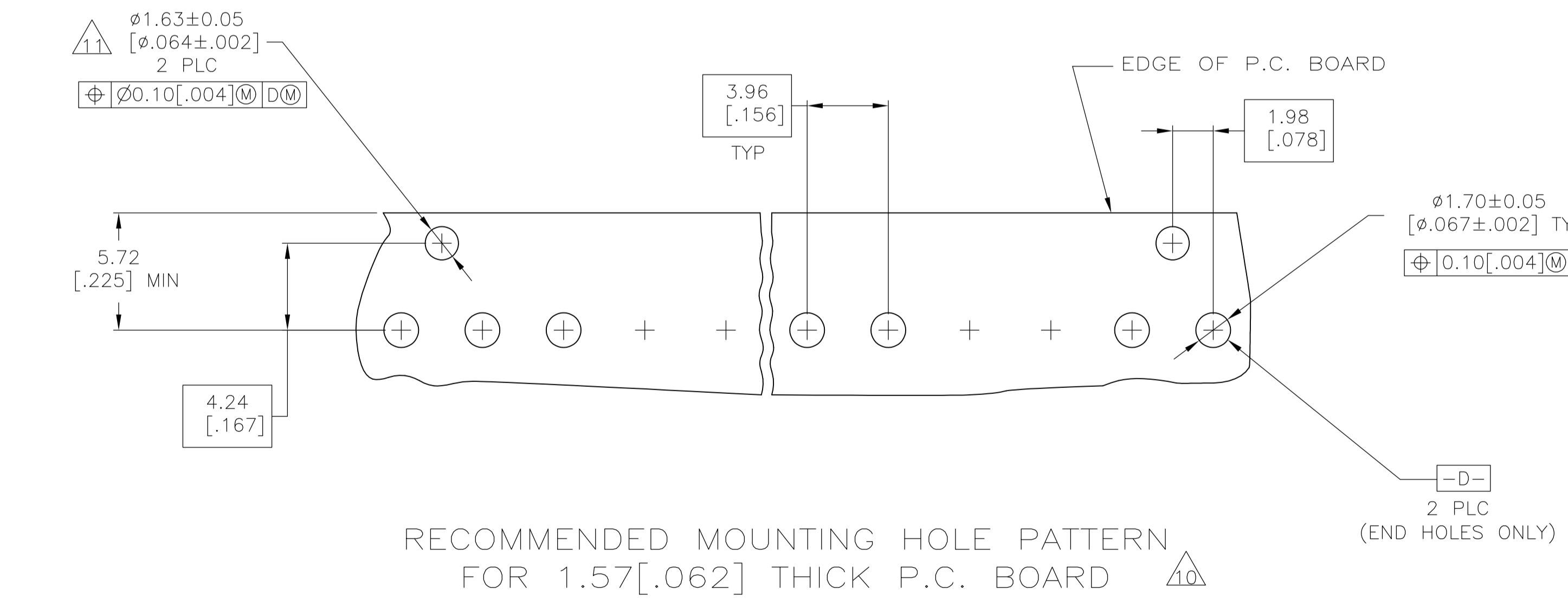
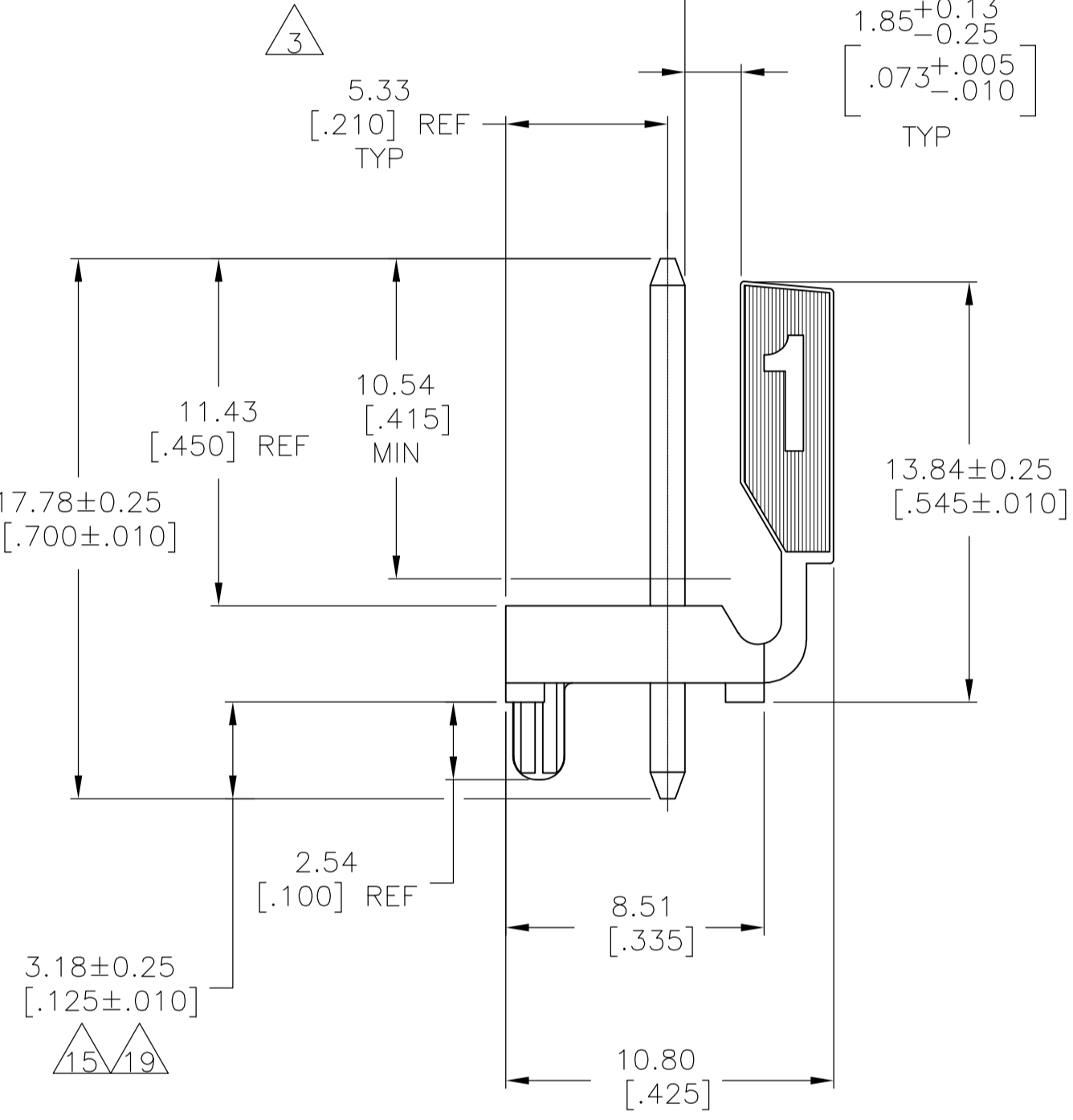
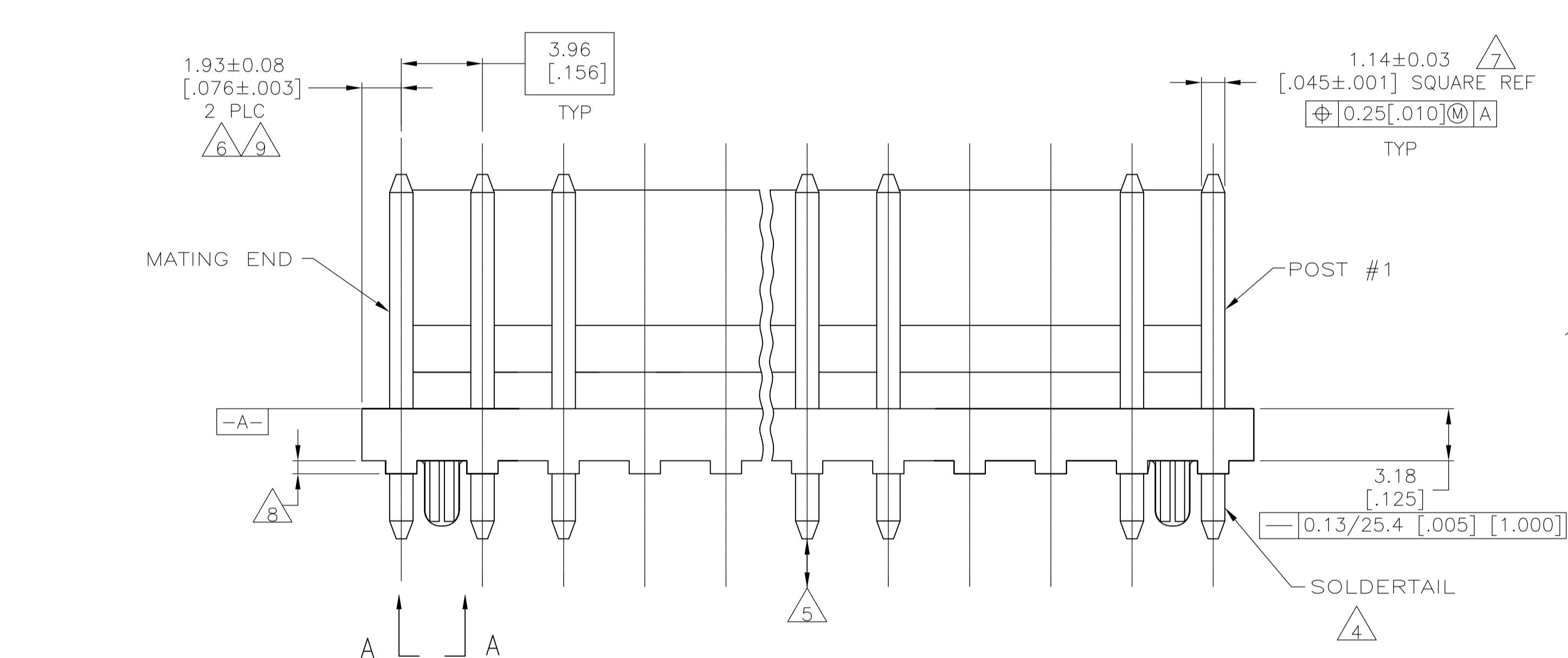
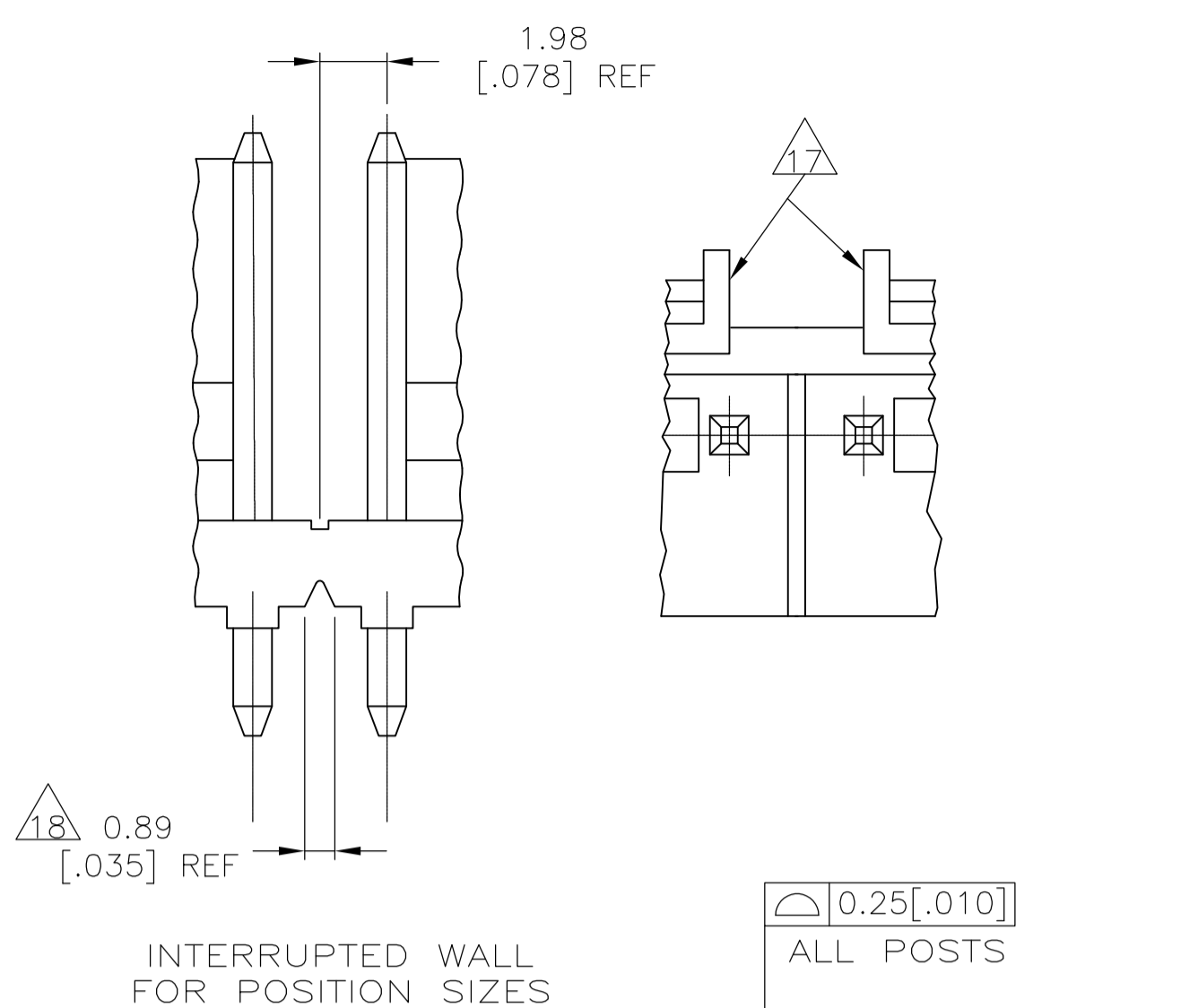
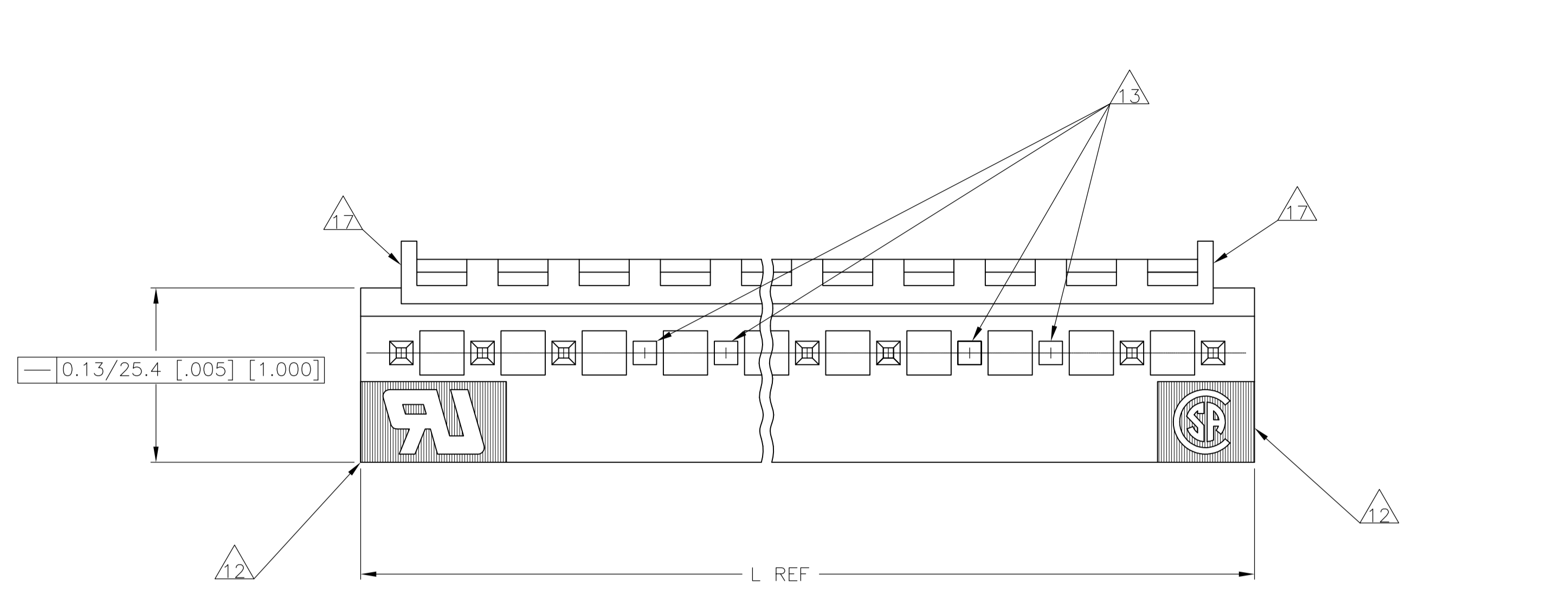


LOC		DIST		REVISIONS				
P	LTR	DESCRIPTION	DATE	DMN	APVD			
E		REVISED PER ECO-12-009789	09OCT12	KH	SM			



- 1 MATERIAL:  
HOUSING: THERMOPLASTIC POLYESTER, GLASS FILLED, UL94V-0.  
POST: COPPER ALLOY
- 2 FINISH:  
HOUSING: NATURAL  
POST, SEE NOTES 14 & 15 FOR PLATING
- 3 ALL POSITION SIZES HAVE THE BACKWALL NOTCHED ON BOTH ENDS AS SHOWN. THE 2 AND 5 POSITION SIZES HAVE SOLID BACKWALLS. POSITION SIZES 6 AND ABOVE HAVE AN INTERRUPTED BACKWALL AT VARIOUS LOCATIONS. (SEE TABLE FOR INTERRUPTION(S) LOCATIONS).
- 4 POST SOLDER TAILS COMPLY WITH AMP SOLDERABILITY SPEC 109-11-2.
- 5 POST WITHSTANDS 13.34N (3 LB) MIN AXIAL FORCE IN EITHER DIRECTION WITHOUT DISLODGING.
- 6 APPLIES AT -A-.
- 7 APPLIES WHEN THE HEADER IS STRAIGHT.
- 8 PLASTIC PROJECTIONS PERMITTED IN THIS ZONE.
- 9 COORDINATE DIMENSIONS APPLIES FROM THE CENTER OF THE ACTUAL FEATURE.
- 10 SOLDER SIDE OF BOARD IS SHOWN.
- 11 THE RETENTION TABS PROVIDE A ONE-TIME INTERFERENCE FIT IN THE 1.63 [0.064] DIAMETER BOARD HOLE FOR HEADER ASSEMBLY RETENTION DURING SOLDERING. FOUR TABS PER PEG, TWO PEGS PER HEADER ASSEMBLY (ONE PEG ONLY FOR 2 POSITION SIZE).
- 12 UL MARKING MAY NOT APPEAR ON THE 2 OR 3 POSITION SIZES. CSA MARKING MAY NOT APPEAR ON THE 2 POSITION SIZE.
- 13 POST NO. 3, 4, 7, 8, 11, & 12 OMITTED.
- 14 PLATING: GOLD PLATE AREA, 0.00076 [0.000030] GOLD OR 0.000076 [0.000003] MIN GOLD FLASH OVER 0.00068 [0.000027] PALLADIUM NICKEL, PER TE CONNECTIVITY'S DISCRETION, ALL SIDES, OVER NICKEL UNDERPLATE, 0.00127 [0.000050] MIN, ALL SIDES AND ENTIRE LENGTH OF POST.
- 15 PLATING: BRIGHT TIN/LEAD (9/37) PLATE AREA, 0.00381-0.00889 [0.000150-0.000350] THICK, ALL FOUR SIDES, 3.18 [0.125] MIN FOR 1--5.
- 16 DIMENSIONS IN BRACKETS ARE IN INCHES.
- 17 EDGE OF POLARIZING LOCK WALL TO BE IN LINE WITH CENTERLINE OF ADJACENT POST WITHIN ±0.13 [0.005].
- 18 NOTCH SHOWN MAY OR MAY NOT APPEAR.
- 19 PLATING: MATTE TIN PLATE AREA, 0.00381-0.00889 [0.000150-0.000350] THICK, ALL FOUR SIDES 3.18 [0.125], FOR 4--5.

RECOMMENDED MOUNTING HOLE PATTERN FOR 1.57 [0.062] THICK P.C. BOARD

VIEW A-A SCALE 10:1

FINISH	BACKWALL INTERRUPTION(S) BETWEEN POST	L	NO OF POSN	PART NO
14, 19	4 & 5, 8 & 9, 11 & 12	59.31 [2.335]	15	4-644793-5
14, 19	4 & 5, 8 & 9, 11 & 12	59.31 [2.335]	15	1-644793-5

THIS DRAWING IS A CONTROLLED DOCUMENT.		DMN B. LEWIS 17-10-96	TE Connectivity
DIMENSIONS: mm [INCHES]		CHK R. SWING 17-10-96	
TOLERANCES UNLESS OTHERWISE SPECIFIED:		APVD D. CLARK 17-10-96	NAME MTA-156 HEADER ASSEMBLY, POLARIZED LOCK, STRAIGHT .045 SQUARE POST, .000030 GOLD PLATED W/RETENTION PEGS, POST NO. 3, 4, 7, 8, 11 & 12 OMITTED
0 PLC ± -	1 PLC ± -	PRODUCT SPEC	APPLICATION SPEC
2 PLC ± 0.13 [0.005]	3 PLC ± -	SIZE	CAGE CODE DRAWING NO
4 PLC ± -	ANGLES ± 0° 30'	WEIGHT	A1 00779 644793
MATERIAL	FINISH	CUSTOMER DRAWING	SCALE 5:1 SHEET 1 OF 1 REV E