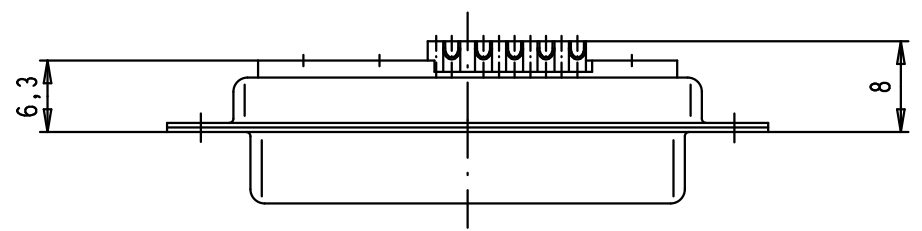
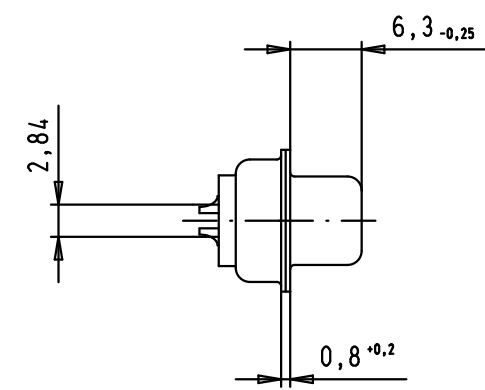
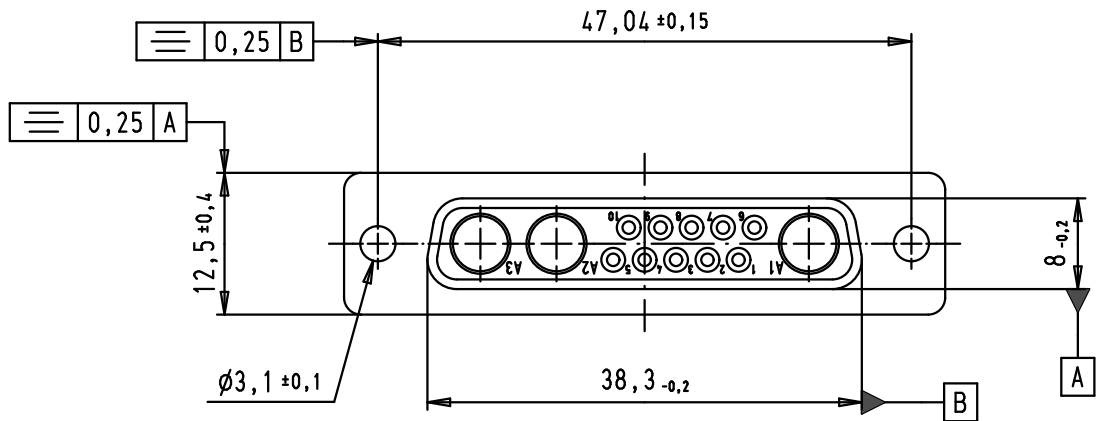
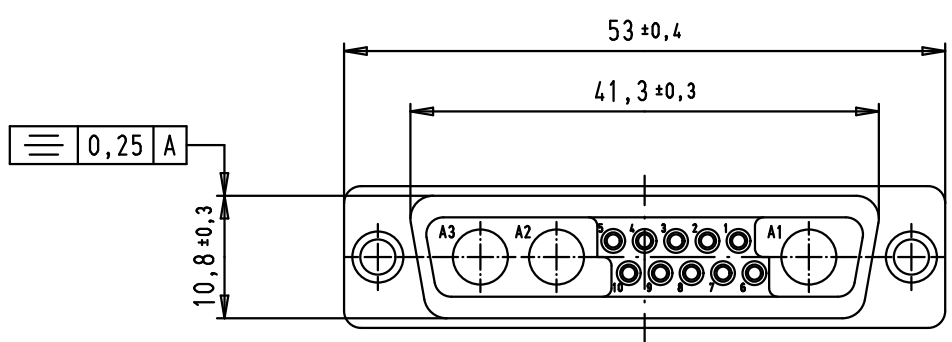
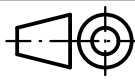



5 4 3 2 1



Solder bucket termination for AWG 20



				Detail.	Dat.	Name	 All Dim. in mm Orig. Size DIN A 4	D-Sub, 13W3, female, straight, solder buckets, tin plated shell	Maßstab/ Scale 1,5:1			
				Insp.								
				Stand.								
09 69 301 7133	PL3	EC00369	09/07/09	PK	HARTING EURL F-95972 Paris			TB 09 69 301 X133	Blatt/ Page 1 / 1			
09 69 301 5133	0,76 µm Au	34402	29/08/07	PK								
Part number	Performance level	Mod.	Dat.	Name								