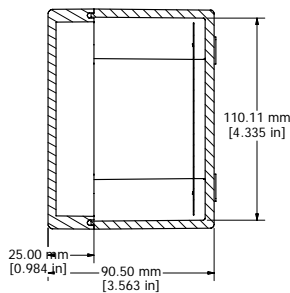
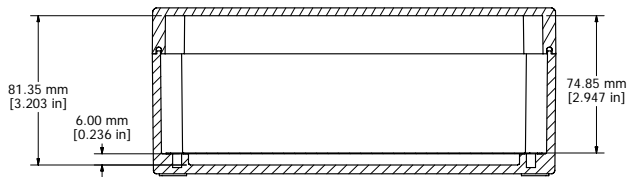
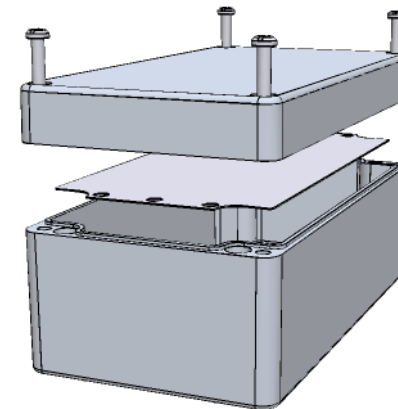


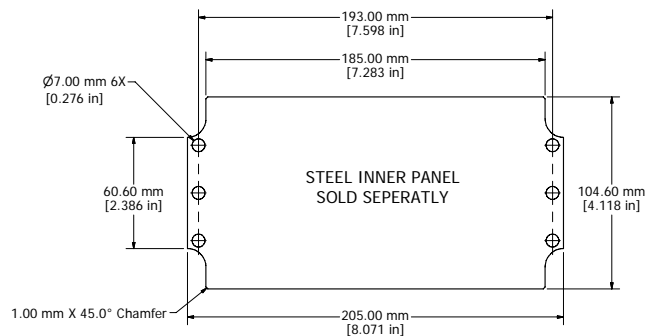
ASSEMBLY



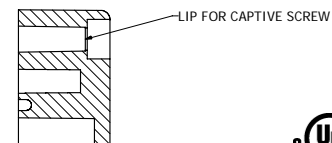
SECTION A-A



SECTION B-B



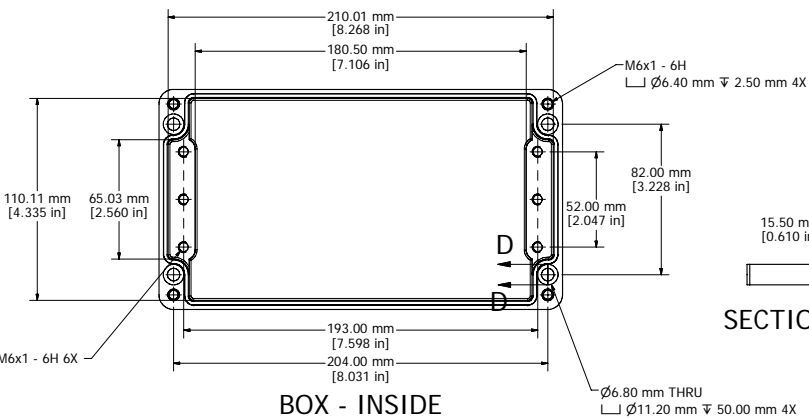
INNER PANEL



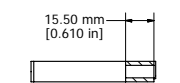
LIP FOR CAPTIVE SCREW



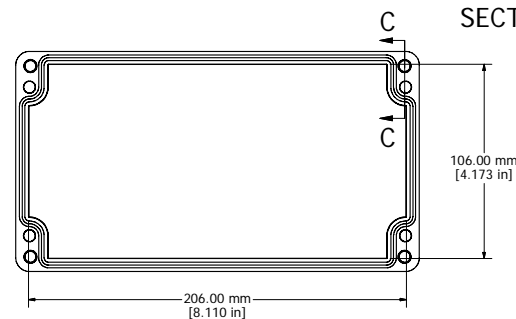
File #E65324
NEMA 4, 4X



BOX - INSIDE



SECTION D-D



LID - INSIDE

SECTION C-C

FIBERGLASS ENCLOSURE	
INCLUDES	
1	ENCLOSURE
4	M5 x 30mm PAN HEAD SCREWS
ACCESSORIES	
STEEL INNER PANEL	1590ZGRP123PL



HAMMOND
MANUFACTURING™

1590ZGRP123

www.hammondmfg.com