

NO PATTERN AREA : ALL SOCKET SPACES(HATCHING AREA) WITHOUT SOLDER PATTERN

IF YOU WANT TO MINIMIZE THIS NO PATTERN AREA, THE 7 BOXES MUST BE AVOID THE PATTERNING TRACE/NO VIA, BECAUSE, THOSE ARE CONTACT TERMINAL'S MOVING AREA. OTHER AREA(STATIC METAL TOUCHABLE) CAN BE PATTERNED UNDER THE PSR INK.

-DATE CODE-
example: 1415187M
M -> Molex initial
4 -> Year(2014)
B -> Month(November) 1, ..., A, B, C
15 -> Date(15th)
A -> Site initial(Ansan)
1 -> Manufacture line number

[nanoSIM CARD PIN-MAP]

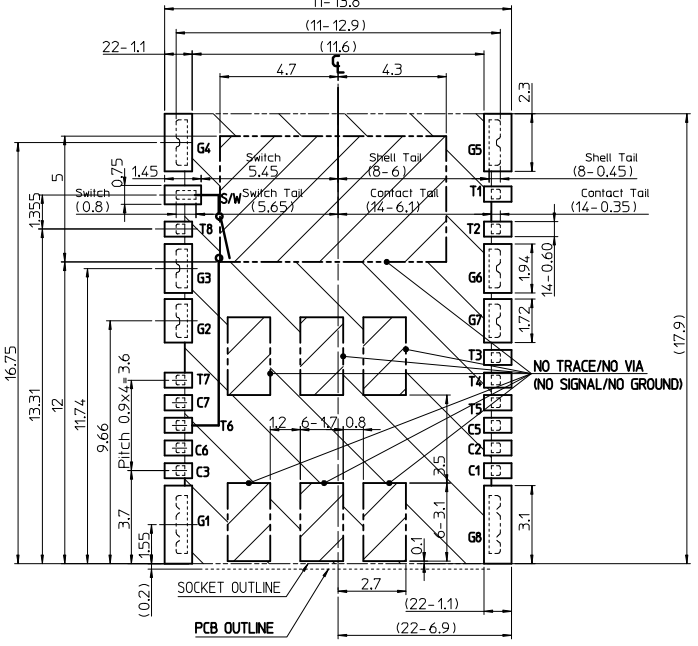
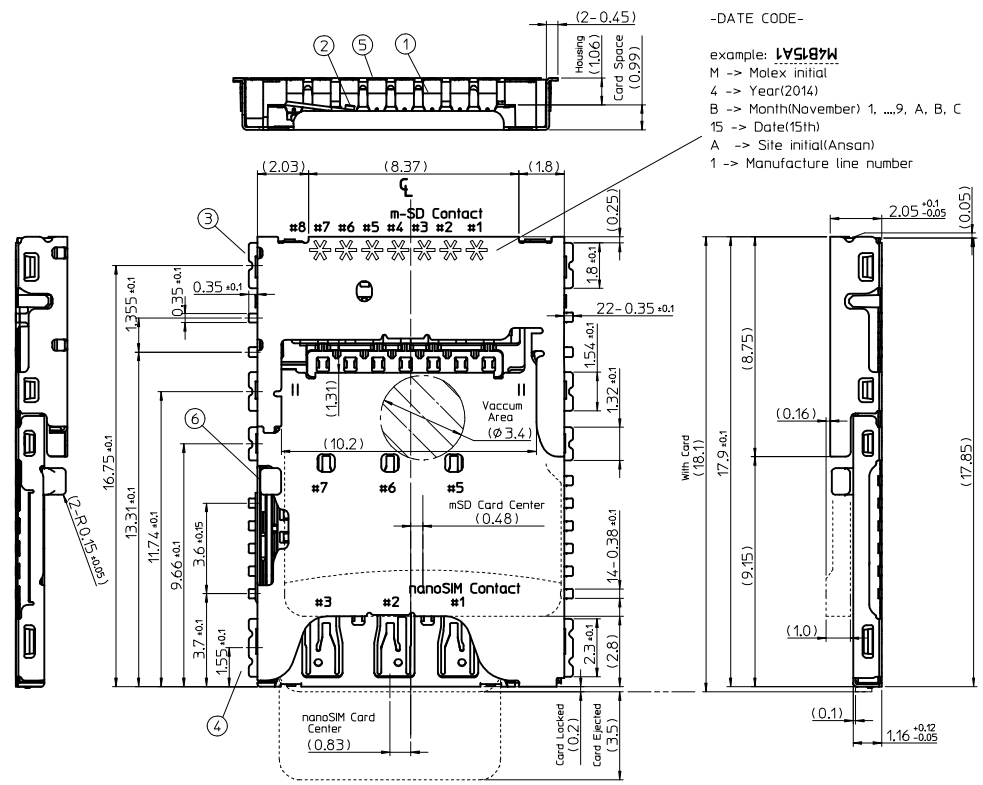
PIN NO.	DESCRIPTION
C1	Vcc(Supply V)
C2	RST(Reset)
C3	CLK(Clock)
(C4)	NONE
C5	GND
C6	Vpp(Program V)
C7	I/O
(C8)	NONE

* This product has no C4, C8 Contact and Switch terminal for SIM Card

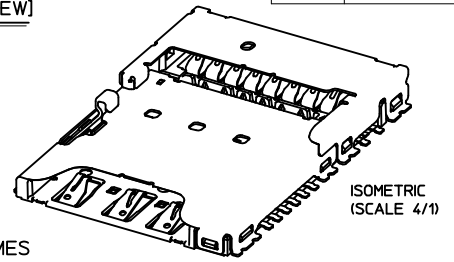
G1-G8	GND
-------	-----

[microSD CARD PIN-MAP]

PIN NO.	DESCRIPTION
T1	DAT2
T2	CD/DAT3 ²
T3	CMD
T4	V _{DD}
T5	CLK
T6	V _{SS} (GND)
T7	DAT0
T8	DAT1
S/W	CARD DETECTOR

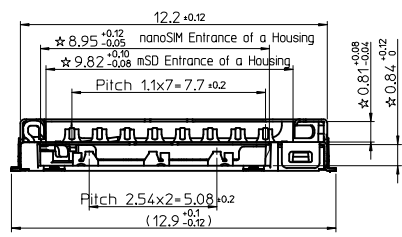


RECOMMENDED PCB DIMENSIONS [FRONT VIEW]
(TOLERANCE : ±0.05)



NOTES

- MATERIALS: SEE TABLE
- FINISHES: SEE TABLE
- MATES WITH
 - UPPER: microSD Card
 - LOWER: nano SIM(UICC 4FF) Card
- PRODUCT SPECIFICATIONS: PS-104239-301
- PACKING SPECIFICATIONS: SPK-104239-301
- COPLANARITY OF SOLDER TAILS: 0.08mm MAX. BEFORE & AFTER 260°C REFLOW 2TIMES
- REFERENCE CARD DIMENSIONS ARE WITH STANDARD DIMENSION CARD
- CUSTOMER'S CTF DIMENSION(☆) IS EQUAL TO MOLEX MAJOR QUALITY SYMBOL(▼)



[Circuit diagram for Detection Switch of microSD card]

Card insertion condition	Card detect switch	Circuit
Without Card	Open	
Card insertion	Close	

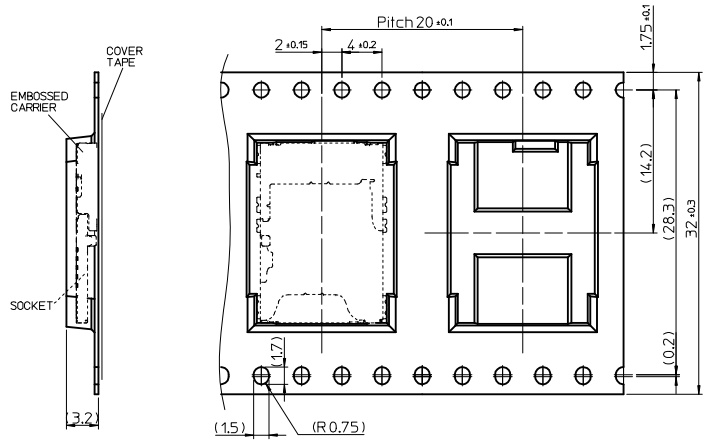
104239-1430	1042391430
ORDER NO.	MATERIAL NO.

NO.	PARTS NAME	MATERIALS	FINISHES
1	CONTACT TERMINAL(14P)	COPPER ALLOY	CONTACT nanoSIM : GOLD 0.054μm MIN. OVER Pd-Ni 0.34μm MIN. CONTACT mSD : GOLD 0.054μm MIN Pd-Ni 0.24μm MIN. SWITCH : GOLD 0.14μm MIN. (Pd-Ni IS PALLADIUM NICKEL) SOLDERS : GOLD 0.054μm MIN. BASE : NICKEL 1.274μm MIN.
2	SWITCH TERMINAL	PHOSPHOR BRONZE	
3	microSD SHELL	STAINLESS STEEL	BRIGHT NICKEL 1.274μm MIN.
4	nanoSIM SHELL	STAINLESS STEEL	BRIGHT NICKEL 1.274μm MIN.
5	HOUSING	LIQUID CRYSTAL POLYMER	NATURAL(IVORY) COLOR, UL94V-0
6	PULLER	STAINLESS STEEL	NONE

RELEASED	EC NO: KOR2017-0027	2016/11/07	2016/11/07	2016/12/01
DRWN: ICYANG	CHKD: SHCHU			
APPR: YSKIM02				
DESCRIPTION				
QUALITY SYMBOLS	▼=4	▽=0		
REV	A1			

GENERAL TOLERANCES (UNLESS SPECIFIED)	DIMENSION STYLE	
	mm	INCH
4 PLACES	± ---	± ---
3 PLACES	± 0.12	± ---
2 PLACES	± 0.12	± ---
1 PLACE	± 0.15	± ---
0 PLACE	± 0.15	± ---
ANGULAR ± 1 °		
DRAFT WHERE APPLICABLE MUST REMAIN WITHIN DIMENSIONS		

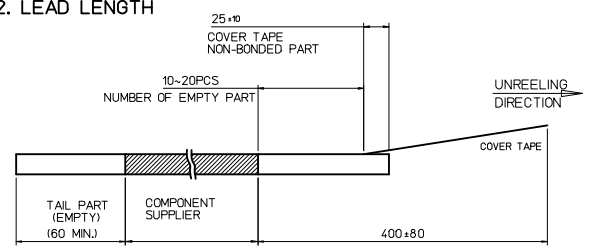
DIMENSION STYLE		SCALE	DESIGN UNITS	THIRD ANGLE PROJECTION
MM ONLY		5/1	METRIC	
DRAWN BY	DATE	TITLE		
ICYANG	2014/06/16	COMBO 2.05H PULLER TYPE MICRO SD/NANO SIM 8P6P WITH M-SD S/W		
CHECKED BY	DATE	molex		
	2014/06/16			
APPROVED BY	DATE	DOCUMENT NO.		
YSKIM02	2015/10/27	SD-104239-301		
MATERIAL NO.		SHEET NO.		
SEE TABLE		1 OF 3		
THIS DRAWING CONTAINS INFORMATION THAT IS PROPRIETARY TO MOLEX INCORPORATED AND SHOULD NOT BE USED WITHOUT WRITTEN PERMISSION				



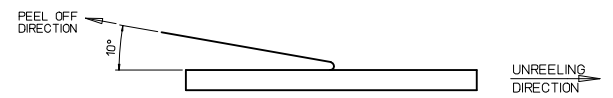
TOP VIEW OF EMBOSSED CARRIER

NOTES

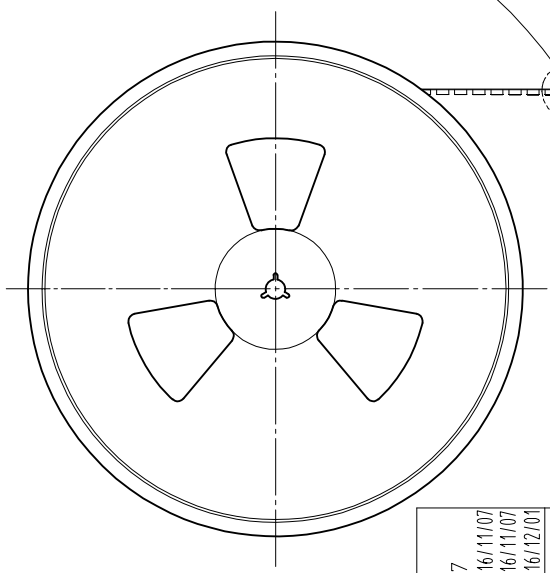
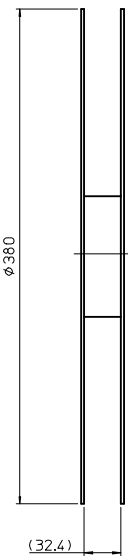
1. QUANTITY OF PRODUCTS : 1,500 PCS / 1 REEL
2. LEAD LENGTH



3. PEELING OFF FORCE OF COVER TAPE : 0.1N~0.59N(10.2~60gf)
(PEELING DIRECTION AS BELOW)
- PEELING OFF SPEED : 300mm/Min.(Ref.)

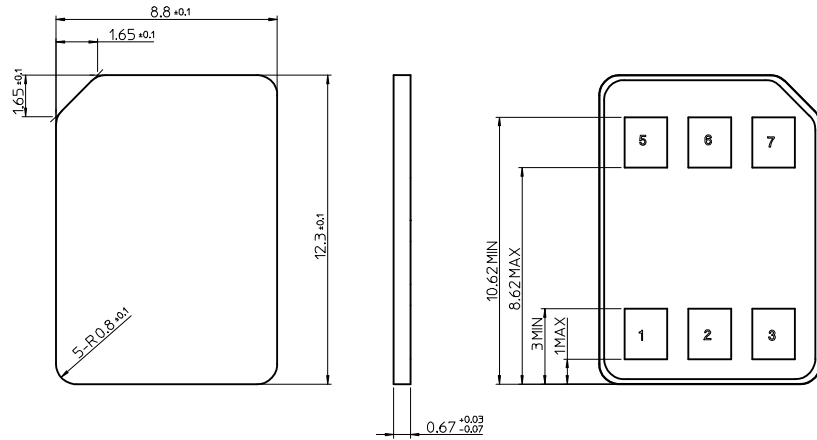


4. MATERIALS OF EMBOSSED CARRIER AND COVER TAPE : PET(POLYETHYLEN TEREPHTHALATE)

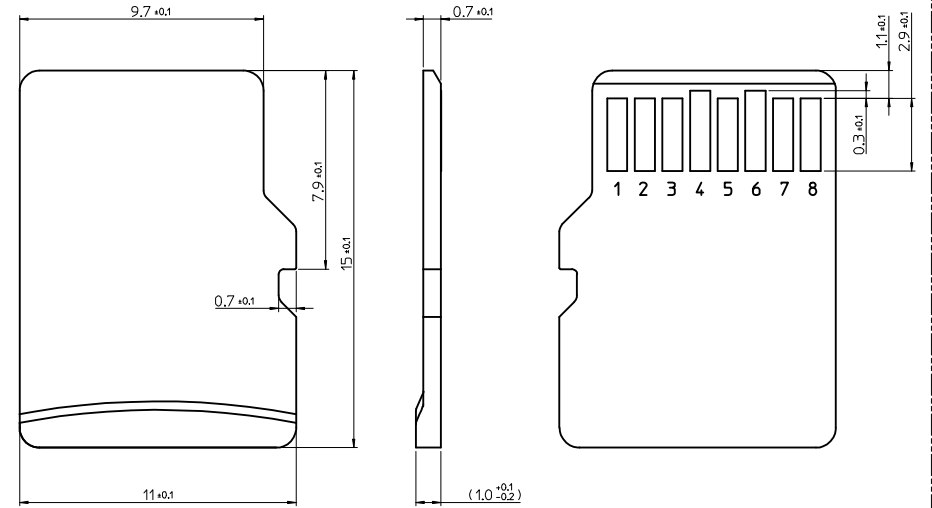


SEE SHEET1 EC NO: KOR2017-0027 DRWN: ICYANG 2016/11/07 CHKD: SHCHU 2016/11/07 APPR: YSKIM02 2016/12/01	QUALITY SYMBOLS ▽=0 ▽=0	GENERAL TOLERANCES (UNLESS SPECIFIED)		DIMENSION STYLE MM ONLY	SCALE 2/1	DESIGN UNITS METRIC	THIRD ANGLE PROJECTION
			mm	INCH	DRAWN BY ICYANG	DATE 2014/06/16	TITLE COMBO 2.05H PULLER TYPE MICRO SD/NANO SIM 8P6P WITH M-SD S/W
		4 PLACES	± ---	± ---	CHECKED BY	DATE 2014/06/16	molex
		3 PLACES	± 0.12	± ---	APPROVED BY YSKIM02	DATE 2015/10/27	
2 PLACES	± 0.12	± ---	MATERIAL NO.	DOCUMENT NO.	SHEET NO.		
1 PLACE	± 0.15	± ---	SEE SHEET1	SD-104239-301	2 OF 3		
0 PLACE	± 0.15	± ---	THIS DRAWING CONTAINS INFORMATION THAT IS PROPRIETARY TO MOLEX INCORPORATED AND SHOULD NOT BE USED WITHOUT WRITTEN PERMISSION				
ANGULAR ± 1 °		DRAFT WHERE APPLICABLE MUST REMAIN WITHIN DIMENSIONS		SIZE A3			

REFERENCE CARDS DRAWING



nanoSIM CARD



microSD CARD

[Reference Standards]

-. microSD Card Specification Addendum Version 4.00

-. ETSI TS 102 221 V12.0.0, Smart Cards; UICC-Terminal interface, Physical and logical characteristics

SEE SHEET1 IEC NO: KOR2017-0027 DRWN: ICYANG CHKD: SHCHU APPR: YSK IM02	QUALITY SYMBOLS ▽=0 ▽=0	GENERAL TOLERANCES (UNLESS SPECIFIED)		DIMENSION STYLE MM ONLY		SCALE 5/1	DESIGN UNITS METRIC	THIRD ANGLE PROJECTION	
			mm	INCH	DRAWN BY ICYANG	DATE 2014/06/16	TITLE COMBO 2.05H PULLER TYPE MICRO SD/NANO SIM 8P6P WITH M-SD S/W		
		4 PLACES	± ---	± ---	CHECKED BY	DATE 2014/06/16			
		3 PLACES	± 0.12	± ---	APPROVED BY YSK IM02	DATE 2015/10/27	DOCUMENT NO. SD-104239-301		
2 PLACES	± 0.12	± ---	MATERIAL NO.		SHEET NO. 3 OF 3				
1 PLACE	± 0.15	± ---	ANGULAR ± 1 °		THIS DRAWING CONTAINS INFORMATION THAT IS PROPRIETARY TO MOLEX INCORPORATED AND SHOULD NOT BE USED WITHOUT WRITTEN PERMISSION				
0 PLACE	± 0.15	± ---	DRAFT WHERE APPLICABLE MUST REMAIN WITHIN DIMENSIONS						
A1	REV	SEE SHEET1		SEE SHEET1		SD-104239-301			