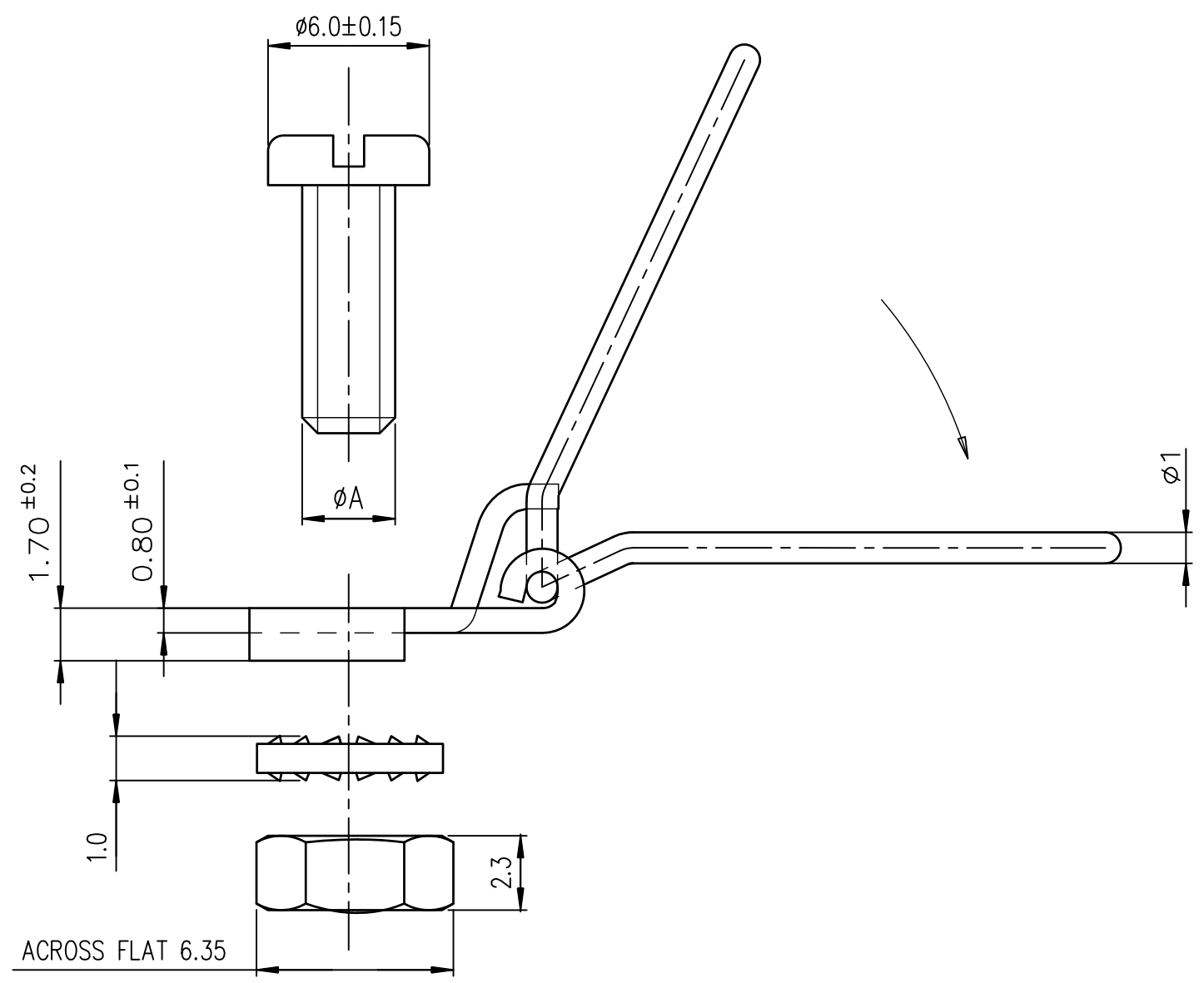
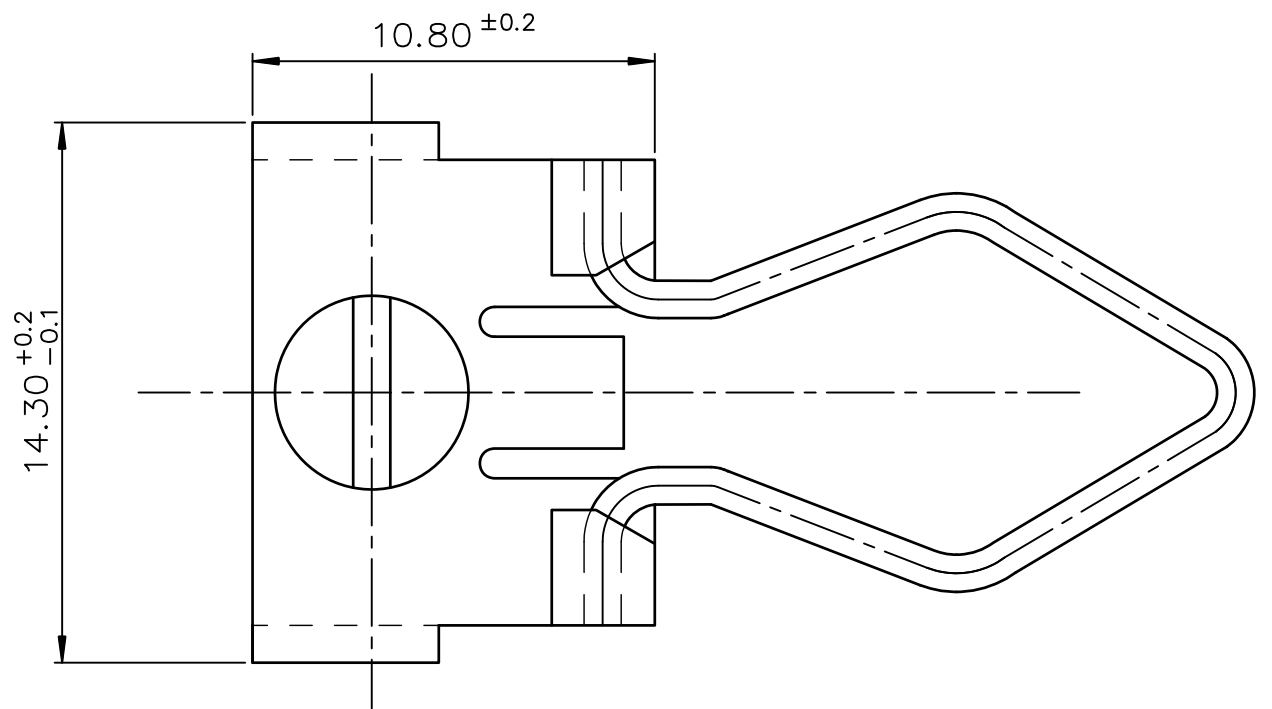


MATERIAL AND FINISH

- BRACKET: steel, passivated
- SCREW: steel, passivated zinc
- NUT: steel, passivated zinc
- LOCK WASHER: steel, passivated zinc
- LOCK SPRING: steel, passivated



86552100	M 3	per 2
86552098	UNC 4.40	per 100
PART NUMBER	ϕA	PACKAGING



mat'l. code				surface		tolerance		projection		product family	
SEE NOTES				ISO 1302 <input checked="" type="checkbox"/>		ISO 406 ISO 1101				D-SUB	
				tolerances unless otherwise specified				MM		title	
				angles		linear				LEVER LOCKS MALE	
				2'						SHELL 9-15-25-37	
								scale 5		dwg no	
										sheet 1 of 1	
										size 5	
										A3	
										type	
										Product Customer Drawing	
sheet index		revision		J							
		sheet		1							



Copyright FCI