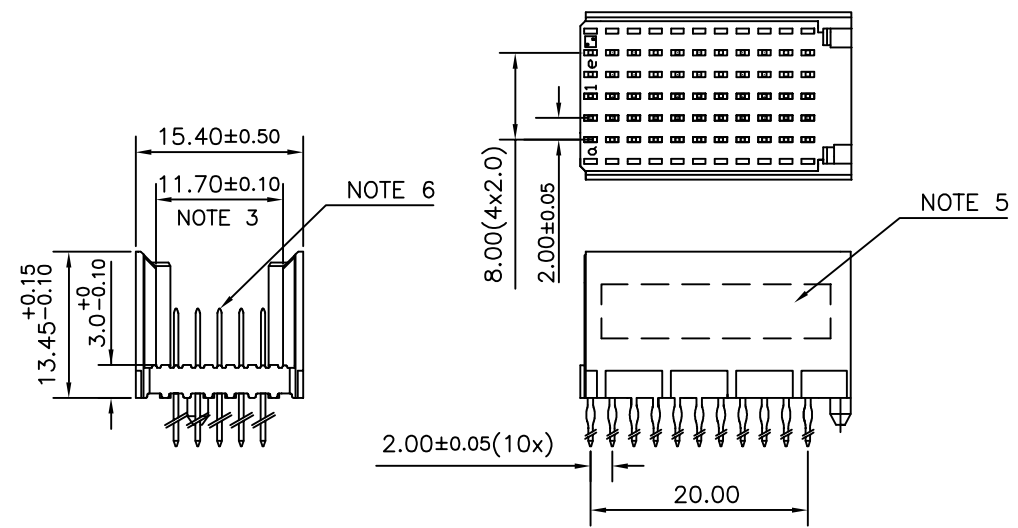


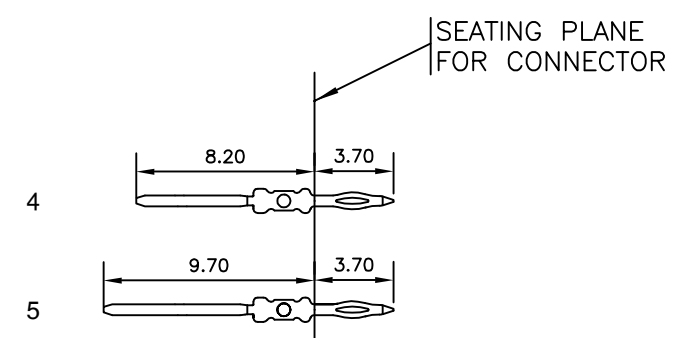
LOADING PATTERN MATING SIDE

f	0	0	0	0	0	0	0	0	0	0
e	0	5	5	0	5	5	0	5	5	0
d	0	4	4	0	4	4	0	4	4	0
c	0	5	5	0	5	5	0	5	5	0
b	4	4	4	4	4	4	4	4	4	4
a	4	4	4	4	4	4	4	4	4	4
z	0	0	0	0	0	0	0	0	0	0
POS	01			05						10

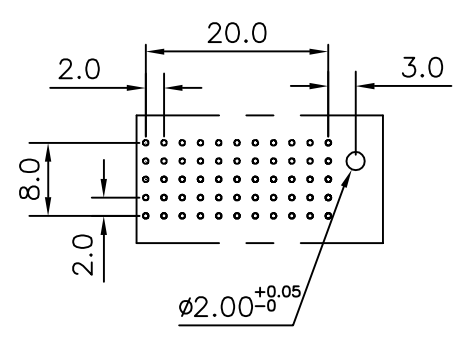
LOADED CONNECTOR ASSEMBLY (FOR EXAMPLE)



CONTACT OVERVIEW



LAY-OUT P.C.B.-HOLE



HM2P09PDT010 **LEAD FREE INDICATOR : LF = LEAD FREE (DIGIT 15 & 16)**  
**PLATING CODE (DIGIT 13 AND 14)**  
 (REF DRW NO. BS,C , 201844 , 003)

NOTES

1. THIS PRODUCT IS CSA APPROVED.
  2. THIS PRODUCT IS UL RECOGNIZED.
  3. MEASURED AT THE BOTTOM.
  4. MATERIAL CONTACT: PHOSPHORBRONZE  
HOUSING: CREAM WHITE GLASS FILLED POLYESTER UL-94V0
  5. CONNECTOR PRINTED WITH P/N AND DATE CODE.
  6. FOR ACTUAL CONTACT LOADINGS, SEE LOADING PATTERN MATING SIDE.
  7. SHAPE OF CONNECTOR HOUSING CAN ALTER DEPENDING ON PRODUCTION LOCATION
  8. THE PRODUCT (LF) MEETS EUROPEAN UNION DIRECTIVES AND OTHER COUNTRY REGULATIONS AS DESCRIBED IN GS-22-008
  9. FOR RECOMMENDED PTH DIMENSIONS REFER DRAWING : BS, A , 201572 , 001
- CATALOG NO: HM2P09PDT010----

mat'l. code		surface		tolerance		projection		product family	
SEE NOTE 4		ISO 1302		ISO 406 ISO 1101				MILLIPACS	
litr		ecn no		dr		date		title	
A		105-0239		MINI		2005-11-19		MPACS 5+2R STR HDR PF CONN TYPE C	
B		106-0131		MINI		2006-07-26			
				angles		linear		scale	
				0°±1°				-	
				dr		MINI K VANDANATH		2005-11-19	
				enr		BIJU K PAUL		2005-11-19	
				chr		BIJU K PAUL		2006-07-26	
				appd		BIJU K PAUL		2006-07-26	
sheet index		revision sheet		B					
		1						sheet 1 of 1 size 5 <b>BS, C ,203028,426</b> A3 type Product Customer Drawing	