

170071-1001
APPEARANCE

170071-4001 SHOWN FOR REFERENCE
APPEARANCE MAY VARY WITH SIZE

NOTES:

1. MATERIAL:

CAGE: NICKEL SILVER
CONNECTOR HOUSING: GLASS FILLED THERMOPLASTIC, UL: 94V-0, COLOR: BLACK
TERMINALS: HIGH PERFORMANCE COPPER ALLOY
FRONT SHIELD WALL: COPPER ALLOY
ELASTOMERIC GASKET: SILVER IMPREGNATED SILICONE

2. FINISH

TERMINALS: CONTACT AREA: 0.76 μm MIN. HARD GOLD OVER
3.8 μm MIN. NICKEL.
COMPLIANT TAIL: 0.7-1.5 μm MATTE TIN OVER
0.7-1.5 μm NICKEL
FRONT SHIELD WALL: 0.7-1.5 μm NICKEL OVERALL

3. 2X4 CONFIGURATION SHOWN FOR REFERENCE, SEE CHART FOR AVAILABLE OPTIONS

4. REFER TO PS-170071-0001 FOR ALL ELECTRICAL, MECHANICAL AND ENVIRONMENTAL SPECIFICATIONS.

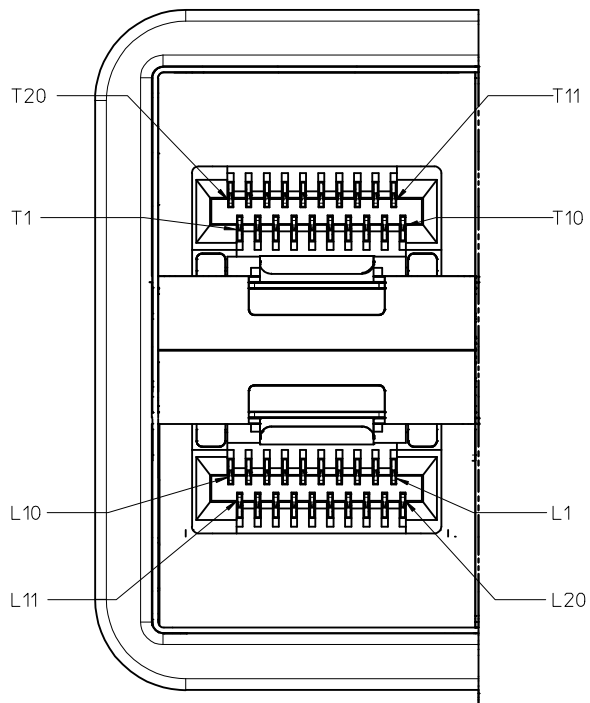
5. REFER TO AS-170071-0001 FOR CONNECTOR MOUNTING AND REWORK INFORMATION.

6. REFER TO AS-170071-0002 FOR PCB ROUTING RECOMMENDATIONS.

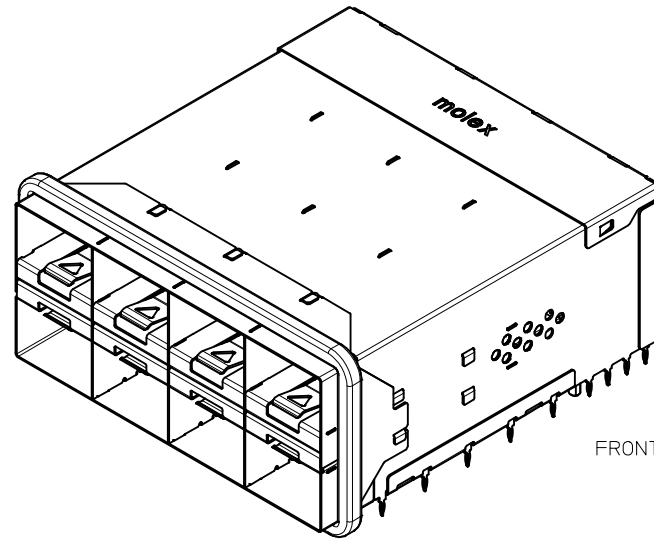
7. ALL VISIBLE EXTERIOR SURFACES TO BE CLASS "B" (BOTTOM OF CONNECTOR IS CLASS "C") CAGE SURFACES TO CONFORM TO THE MOLEX COSMETIC DOC PS-45499-002.

PORT SIZE	PART NUMBER	DIM X	DIM Y
2X1	1700711001	14.50	15.10
2X2	1700712001	28.75	29.35
2X4	1700714001	57.25	57.85
2X6	1700716001	85.75	86.35
2X8	1700718001	114.25	114.85
2X12	1700711201	171.25	171.85

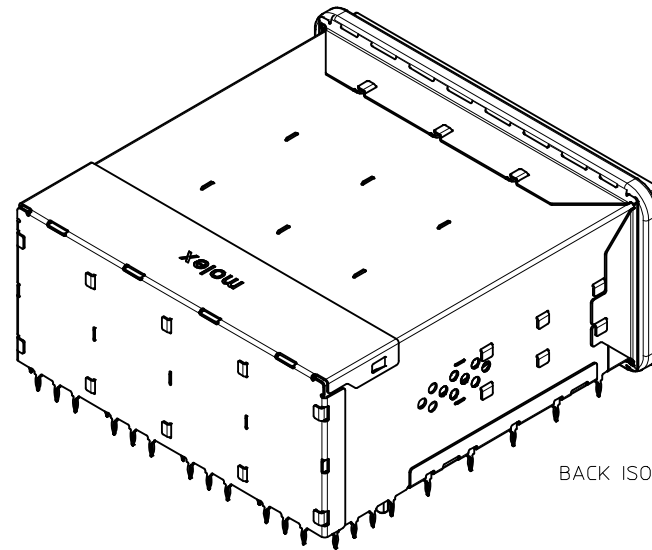
ADDED GENERAL TOL EC NO: UCP2016-3736 DRWINWEMPEGONDA 2016/07/25 CHKD: APPR:SMILLER 2016/08/15	DESCRIPTION QUALITY SYMBOLS ▽=0 ▽=0 ▽=0	GENERAL TOLERANCES (UNLESS SPECIFIED)		DIMENSION STYLE MM ONLY		SCALE 2:1	DESIGN UNITS METRIC	THIRD ANGLE PROJECTION	
		4 PLACES ± --- ± ---	3 PLACES ± --- ± ---	DRAWN BY JGONZALEZ01	DATE 2010/05/27	TITLE ZSFP+ STACKED FULL ASSY WITH ELASTOMERIC GASKET			
		2 PLACES ± 0.13 ± ---	1 PLACE ± 0.25 ± ---	CHECKED BY JKACHLIC	DATE 2010/06/03	APPROVED BY MBANAKIS		DATE 2010/10/24	
		0 PLACE ± ±	ANGULAR ±1/2°	MATERIAL NO. SEE CHART		DOCUMENT NO. SD-170071-0001	SHEET NO. 1 OF 4		
DRAFT WHERE APPLICABLE MUST REMAIN WITHIN DIMENSIONS		THIS DRAWING CONTAINS INFORMATION THAT IS PROPRIETARY TO MOLEX INCORPORATED AND SHOULD NOT BE USED WITHOUT WRITTEN PERMISSION							



Partial1
SCALE 6:1

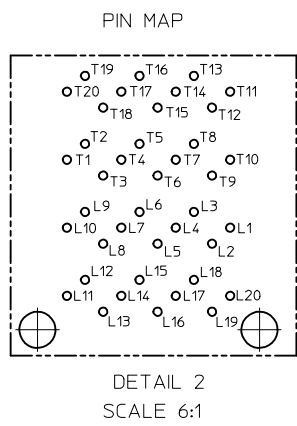
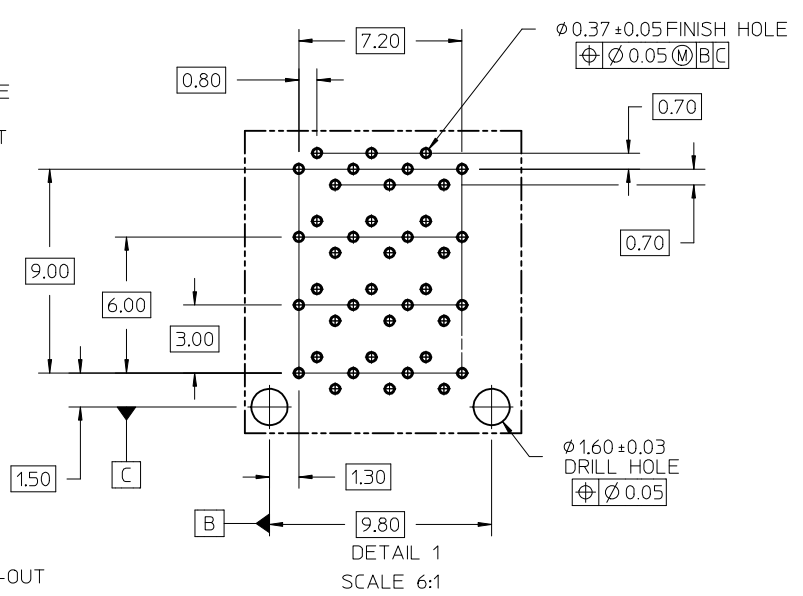
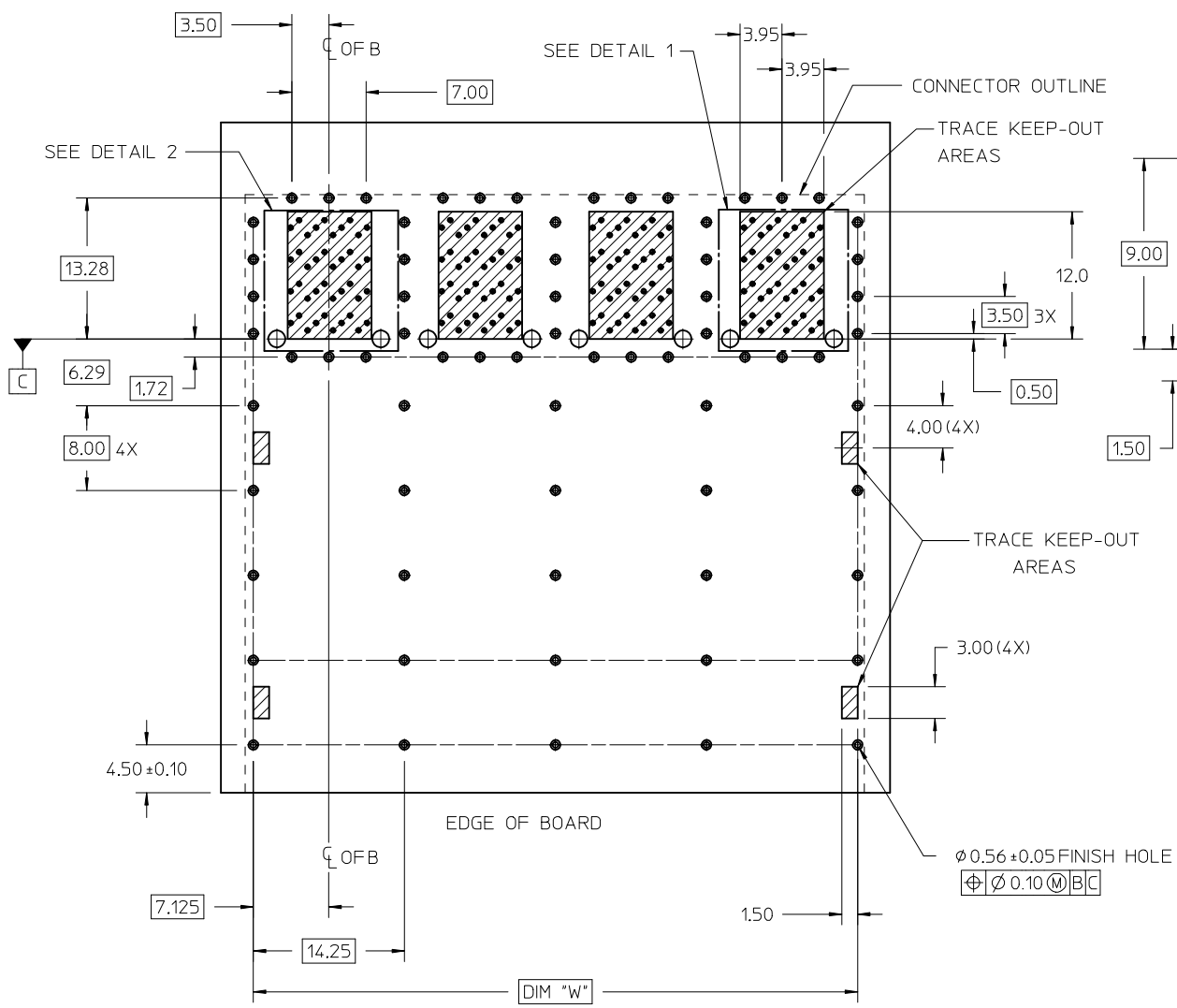


FRONT ISO VIEW



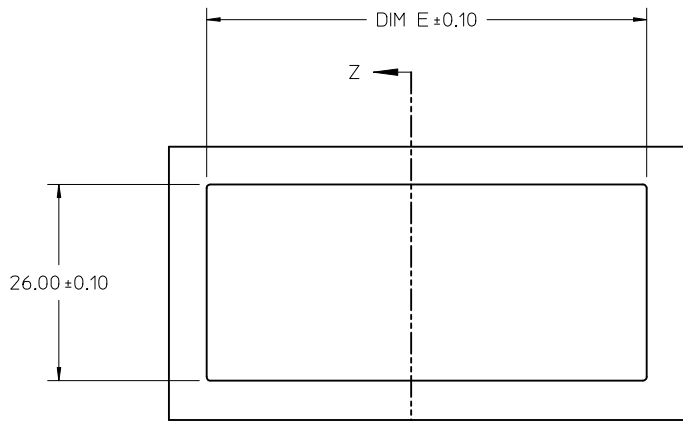
BACK ISO VIEW

SEE SHEET 1 EC NO: UCP2016-3736 DRAWN: MKEPECOWDA 2016/07/25 CHKD: APPR: SMILLER 2016/08/15 DESCRIPTION	QUALITY SYMBOLS	GENERAL TOLERANCES (UNLESS SPECIFIED)	DIMENSION STYLE	SCALE	DESIGN UNITS	THIRD ANGLE PROJECTION
	▽=0	mm INCH	MM ONLY	2:1	METRIC	
	▽=0	4 PLACES ± --- ± ---	DRAWN BY DATE	TITLE		
	▽=0	3 PLACES ± --- ± ---	JGONZALEZ01 2010/05/27	ZSFP+ STACKED FULL ASSY WITH ELASTOMERIC GASKET		
	▽=0	2 PLACES ± 0.13 ± ---	CHECKED BY DATE			
	1 PLACE ± 0.25 ± ---	JKACHLIC 2010/06/03				
	0 PLACE ± ±	APPROVED BY DATE	DOCUMENT NO.			
	ANGULAR ±1/2°	MBANAKIS 2010/10/24	SD-170071-0001			
	DRAFT WHERE APPLICABLE MUST REMAIN WITHIN DIMENSIONS	MATERIAL NO.	SHEET NO.			
		SEE CHART	2 OF 4			
		THIS DRAWING CONTAINS INFORMATION THAT IS PROPRIETARY TO MOLEX INCORPORATED AND SHOULD NOT BE USED WITHOUT WRITTEN PERMISSION				

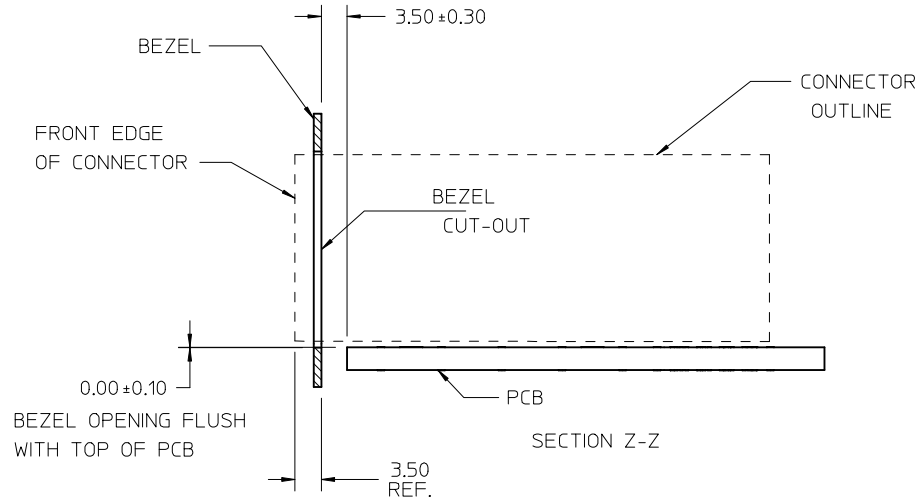


HOLE CHART				
PORT SIZE	DIM "W"	SIGNALS ($\varnothing 0.37$)	SHIELD GROUND ($\varnothing 0.56$)	CONNECTOR LOCATION ($\varnothing 1.60$)
2X1	14.25	40	24	2
2X2	28.50	80	39	4
2X4	57.00	160	69	8
2X6	85.50	240	99	12
2X8	114.00	320	129	16
2X12	171.00	480	189	24

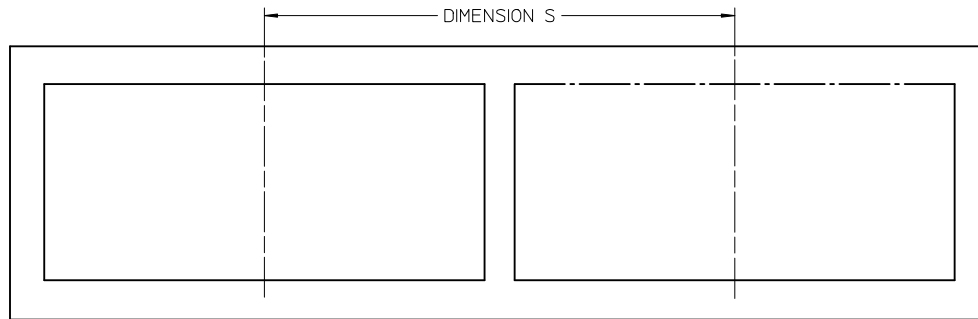
SEE SHEET 1 EC NO: UCP2016-3736 DRWING: KEMPEGONDA 2016/07/25 CHKD: MILLER APPR: SMILLER 2016/08/15	QUALITY SYMBOLS $\nabla = 0$ $\nabla = 0$ $\nabla = 0$	GENERAL TOLERANCES (UNLESS SPECIFIED) <table border="1"> <tr> <th></th> <th>mm</th> <th>INCH</th> </tr> <tr> <td>4 PLACES</td> <td>± 0.13</td> <td>± 0.005</td> </tr> <tr> <td>3 PLACES</td> <td>± 0.25</td> <td>± 0.010</td> </tr> <tr> <td>2 PLACES</td> <td>± 0.50</td> <td>± 0.020</td> </tr> <tr> <td>1 PLACE</td> <td>± 1.00</td> <td>± 0.040</td> </tr> <tr> <td>0 PLACE</td> <td>± 2.00</td> <td>± 0.080</td> </tr> </table>		mm	INCH	4 PLACES	± 0.13	± 0.005	3 PLACES	± 0.25	± 0.010	2 PLACES	± 0.50	± 0.020	1 PLACE	± 1.00	± 0.040	0 PLACE	± 2.00	± 0.080	DIMENSION STYLE MM ONLY DRAWN BY: JGONZALEZ01 DATE: 2010/05/27 CHECKED BY: JKACHLIC DATE: 2010/06/03 APPROVED BY: MBANAKIS DATE: 2010/10/24	SCALE: 3:1 DESIGN UNITS: METRIC THIRD ANGLE PROJECTION	TITLE: ZSFP+ STACKED FULL ASSY WITH ELASTOMERIC GASKET
		mm	INCH																				
	4 PLACES	± 0.13	± 0.005																				
	3 PLACES	± 0.25	± 0.010																				
2 PLACES	± 0.50	± 0.020																					
1 PLACE	± 1.00	± 0.040																					
0 PLACE	± 2.00	± 0.080																					
DRAFT WHERE APPLICABLE MUST REMAIN WITHIN DIMENSIONS		MATERIAL NO.: SEE CHART	DOCUMENT NO.: SD-170071-0001																				
THIS DRAWING CONTAINS INFORMATION THAT IS PROPRIETARY TO MOLEX INCORPORATED AND SHOULD NOT BE USED WITHOUT WRITTEN PERMISSION					SHEET NO.: 3 OF 4																		



BEZEL CUT-OUT DETAIL
BEZEL THICKNESS 0.8-2.6



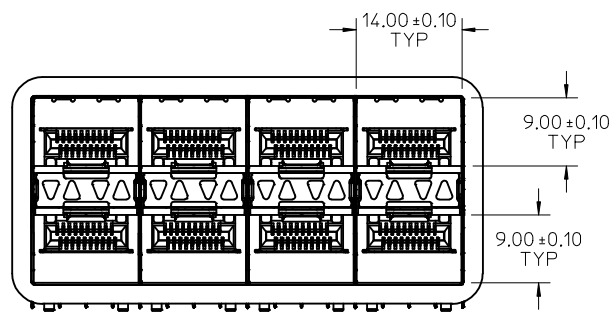
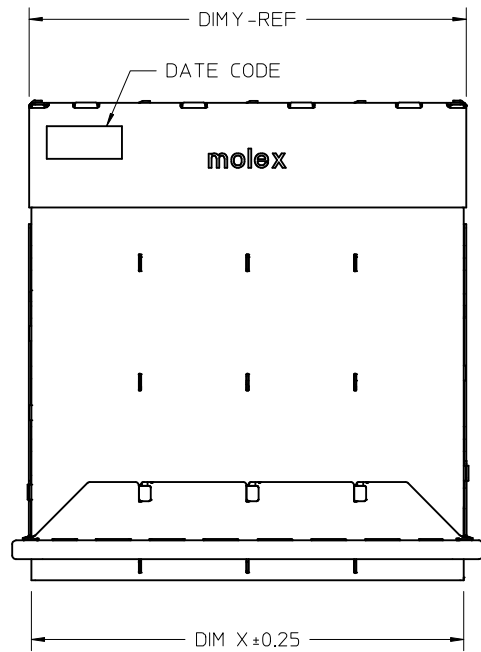
SECTION Z-Z



BEZEL CUT OUT FOR
CONNECTOR STACKING

CONFIGURATION	DIM 'E'	DIM 'S'
2X1	15.50	20.40 MINIMUM
2X2	29.75	34.65 MINIMUM
2X4	58.25	63.15 MINIMUM
2X6	86.75	91.65 MINIMUM
2X8	115.25	120.15 MINIMUM
2X12	172.25	177.15 MINIMUM

SEE SHEET 1 EC NO: UCP2016-3736 DRWING: KEMPEGONDA 2016/07/25 CHKD: MBANAKIS APPR: SMILLER 2016/08/15	QUALITY SYMBOLS 	GENERAL TOLERANCES (UNLESS SPECIFIED) <table border="1"> <tr> <th></th> <th>mm</th> <th>INCH</th> </tr> <tr> <td>4 PLACES</td> <td>± 0.10</td> <td>± 0.004</td> </tr> <tr> <td>3 PLACES</td> <td>± 0.15</td> <td>± 0.005</td> </tr> <tr> <td>2 PLACES</td> <td>± 0.25</td> <td>± 0.010</td> </tr> <tr> <td>1 PLACE</td> <td>± 0.38</td> <td>± 0.015</td> </tr> <tr> <td>0 PLACE</td> <td>± 0.50</td> <td>± 0.020</td> </tr> </table>		mm	INCH	4 PLACES	± 0.10	± 0.004	3 PLACES	± 0.15	± 0.005	2 PLACES	± 0.25	± 0.010	1 PLACE	± 0.38	± 0.015	0 PLACE	± 0.50	± 0.020	DIMENSION STYLE MM ONLY DRAWN BY: JGONZALEZ01 DATE: 2010/05/27 CHECKED BY: JKACHLIC DATE: 2010/06/03 APPROVED BY: MBANAKIS DATE: 2010/10/24	SCALE: 2:1 DESIGN UNITS: METRIC THIRD ANGLE PROJECTION	TITLE: ZSFP+ STACKED FULL ASSY WITH ELASTOMERIC GASKET
		mm	INCH																				
	4 PLACES	± 0.10	± 0.004																				
	3 PLACES	± 0.15	± 0.005																				
2 PLACES	± 0.25	± 0.010																					
1 PLACE	± 0.38	± 0.015																					
0 PLACE	± 0.50	± 0.020																					
MATERIAL NO. SEE CHART	DOCUMENT NO. SD-170071-0001	SHEET NO. 4 OF 4																					
DRAFT WHERE APPLICABLE MUST REMAIN WITHIN DIMENSIONS			THIS DRAWING CONTAINS INFORMATION THAT IS PROPRIETARY TO MOLEX INCORPORATED AND SHOULD NOT BE USED WITHOUT WRITTEN PERMISSION																				
MOLEX																							

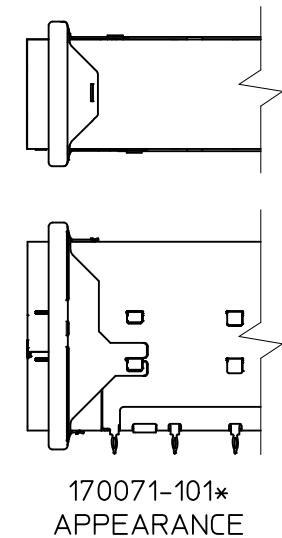
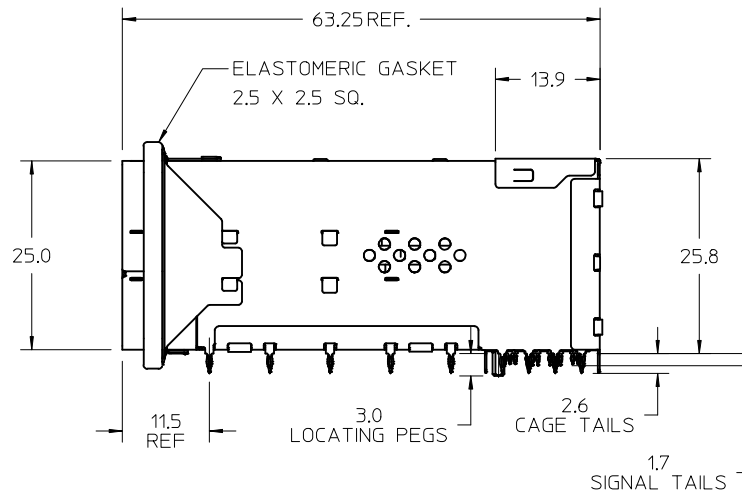


NUMBER OF PORTS	PART NUMBER	DIM X	DIM Y
2X1	170071101*	14.50	15.10
2X2	170071201*	28.75	29.35
2X4	170071401*	57.25	57.85
2X6	170071601*	85.75	86.35
2X8	170071801*	114.25	114.85
2X12	170071121*	171.25	171.85

*-DESIGNATES LIGHT PIPE CONFIGURATIONS, SEE SHEET 2

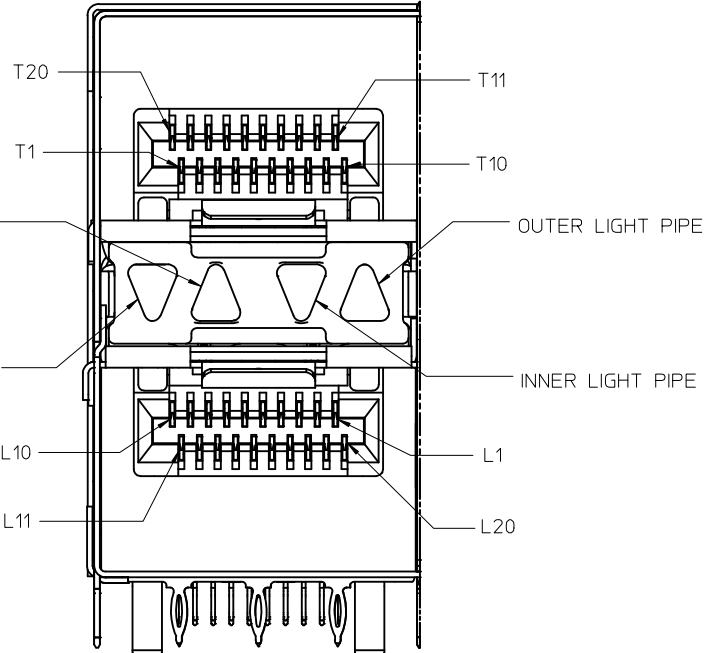
NOTES:

- MATERIAL:
 - CAGE: NICKEL SILVER
 - CONNECTOR HOUSING: GLASS FILLED THERMOPLASTIC, UL: 94V-0, COLOR: BLACK
 - LIGHT PIPES: POLYCARBONATE, 94 HB, COLOR: CLEAR
 - TERMINALS: HIGH PERFORMANCE COPPER ALLOY
 - FRONT SHIELD WALL: COPPER ALLOY
 - LIGHT PIPE HOUSING: ZINC ALLOY
 - ELASTOMERIC GASKET: SILVER IMPREGNATED SILICONE
- FINISH
 - TERMINALS: CONTACT AREA: 0.76 μm MIN. HARD GOLD OVER 3.8 μm MIN. NICKEL.
 - COMPLIANT TAIL: 0.7-1.5 μm MATTE TIN OVER 0.7-1.5 μm NICKEL
 - FRONT SHIELD WALL: 0.7-1.5 μm NICKEL OVERALL
 - LIGHT PIPE HOUSING: 2.0 μm NICKEL OVER 0.7 μm COPPER
- 2X4 CONFIGURATION SHOWN FOR REFERENCE, SEE CHART FOR AVAILABLE OPTIONS
- REFER TO PS-170071-0001 FOR ALL ELECTRICAL, MECHANICAL AND ENVIRONMENTAL SPECIFICATIONS.
- REFER TO AS-170071-0001 FOR CONNECTOR MOUNTING AND REWORK INFORMATION.
- REFER TO AS-170071-0002 FOR PCB ROUTING RECOMMENDATIONS.
- ALL VISIBLE EXTERIOR SURFACES TO BE CLASS "B" (BOTTOM OF CONNECTOR IS CLASS "C") CAGE SURFACES TO CONFORM TO THE MOLEX COSMETIC DOC PS-45499-002.

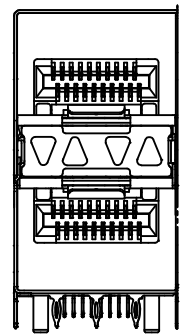


170071-40** SHOWN FOR REFERENCE
APPEARANCE MAY VARY WITH SIZE

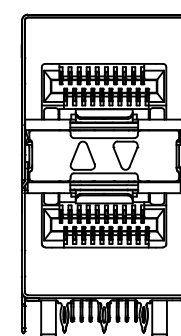
ADD APPEARANCE VIEWS EC NO: UCP2016-3736 DRWNS:VANG01 2016/03/24 CHKD:BBARKER 2016/03/24 APPR:SMILLER 2016/08/15	QUALITY SYMBOLS ▽=0 ▽=0 ▽=0	GENERAL TOLERANCES (UNLESS SPECIFIED)		DIMENSION STYLE MM ONLY		SCALE 2:1	DESIGN UNITS METRIC	THIRD ANGLE PROJECTION
		mm	INCH	DRAWN BY JGONZALEZ01	DATE 2010/06/09	TITLE ZSFP+ STACKED ASSY WITH LIGHT PIPES AND ELASTOMERIC GASKET		
		4 PLACES ± ---	± ---	CHECKED BY JKACHLIC	DATE 2010/06/09	molex DOCUMENT NO. SD-170071-0002		
		3 PLACES ± ---	± ---	APPROVED BY MBANAKIS	DATE 2010/11/17		SHEET NO. 1 OF 4	
ANGULAR ±1/2°		DRAFT WHERE APPLICABLE MUST REMAIN WITHIN DIMENSIONS		SEE CHART		THIS DRAWING CONTAINS INFORMATION THAT IS PROPRIETARY TO MOLEX INCORPORATED AND SHOULD NOT BE USED WITHOUT WRITTEN PERMISSION		



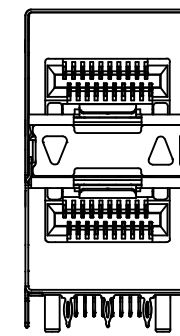
Partial4
SCALE 6:1



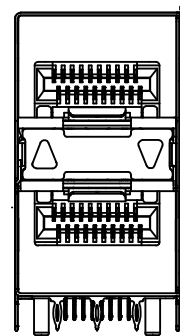
4 LIGHT PIPE
170071-**11



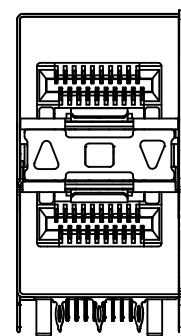
INNER LIGHT PIPE
170071-**12



OUTER DOWN/UP
170071-**13



OUTER UP/DOWN
170071-**14

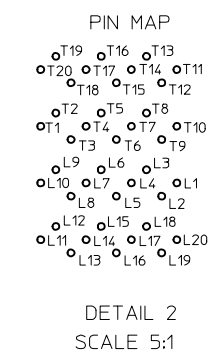
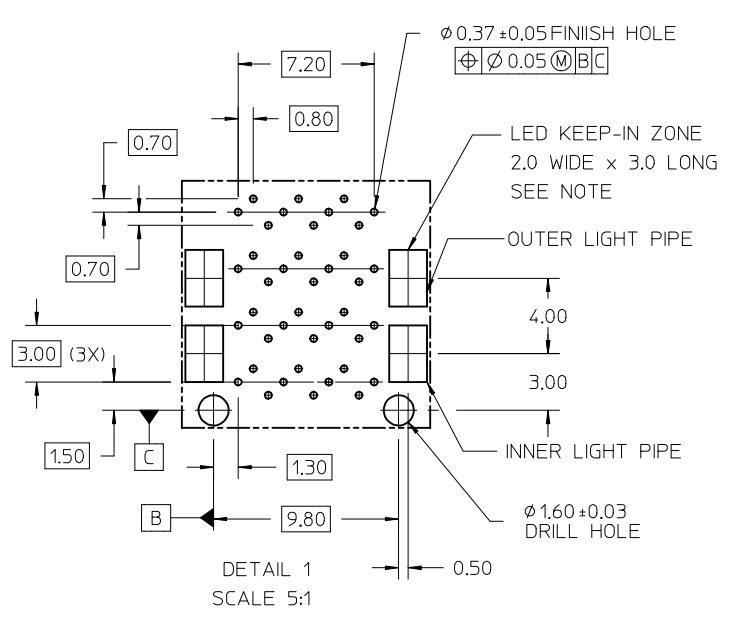
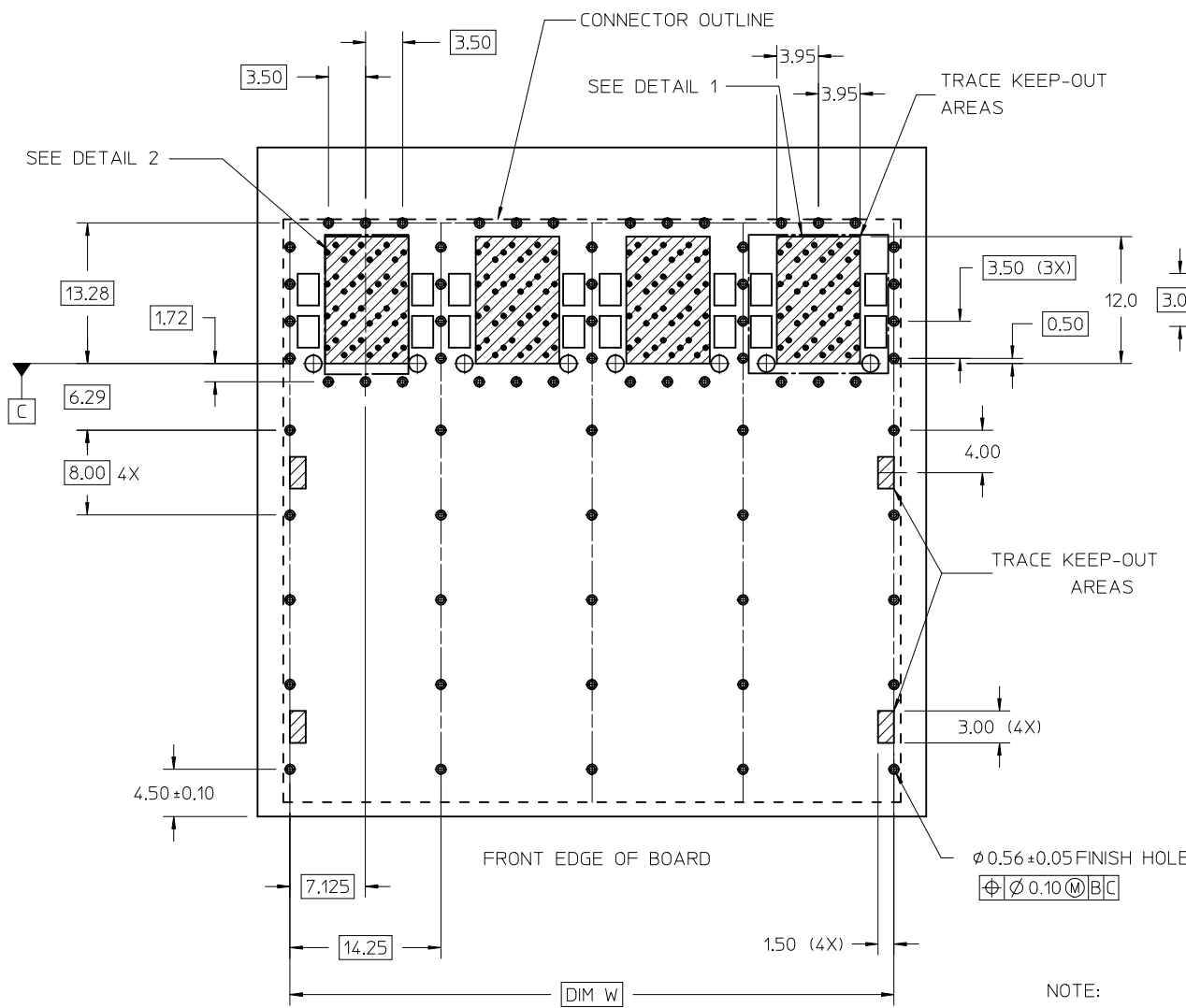


3 LIGHT PIPE
UP / MIDDLE / DOWN
170071-**15

PART NUMBER	DESCRIPTION
170071-**11	4 LIGHT PIPES
170071-**12	INNER 2 PORTS
170071-**13	OUTER DOWN/UP
170071-**14	OUTER UP/DOWN
170071-**15	3 LIGHT PIPES

** - DESIGNATES PORT SIZE

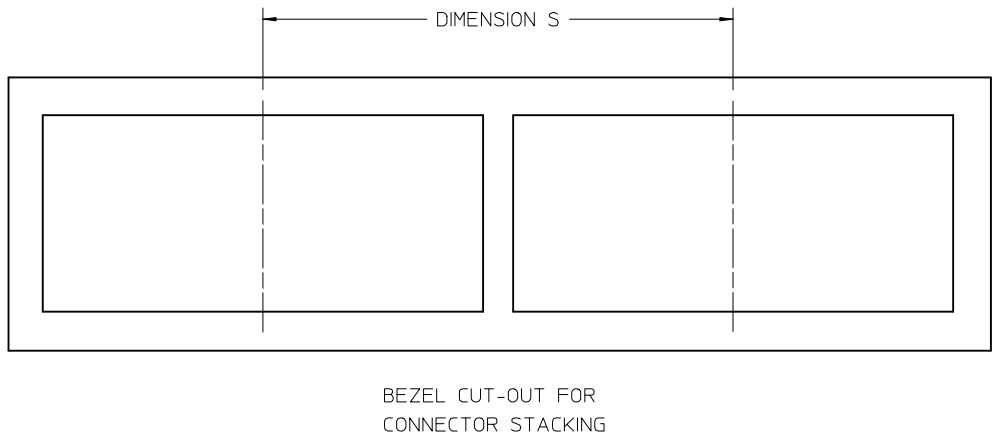
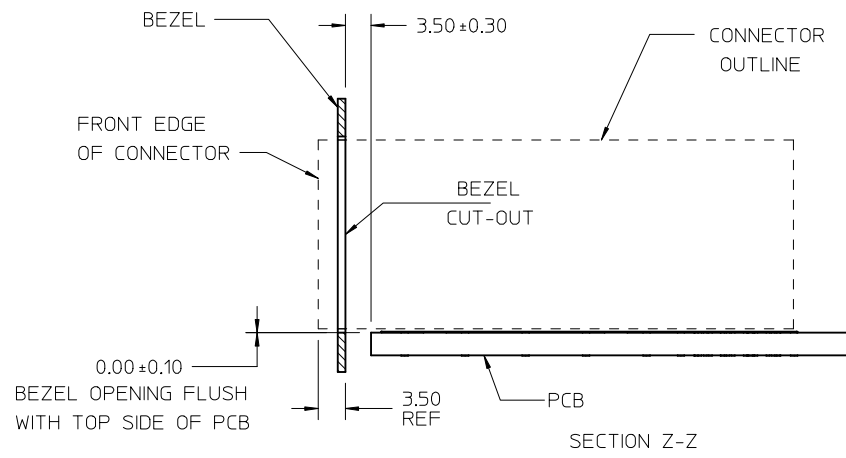
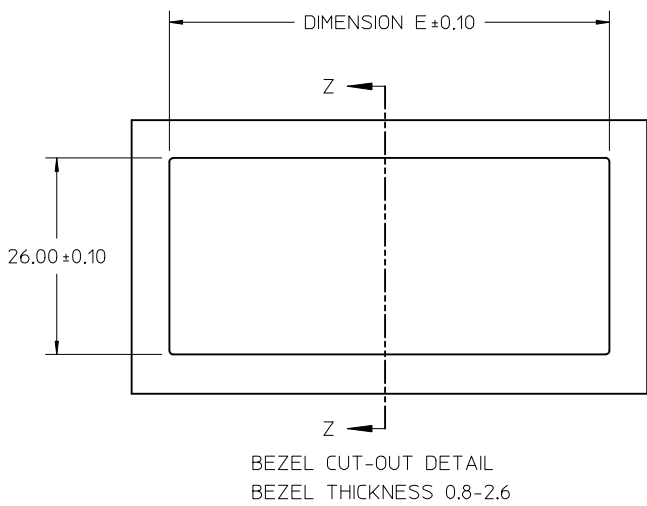
SEE SHEET 1 EC NO: UCP2016-3736 DRWNSVANG01 2016/03/24 CHKD:BBARKER 2016/03/24 APPR:SMILLER 2016/08/15	QUALITY SYMBOLS	GENERAL TOLERANCES (UNLESS SPECIFIED)	DIMENSION STYLE MM ONLY	SCALE 3:1	DESIGN UNITS METRIC	THIRD ANGLE PROJECTION
	▽=0	mm INCH	DRAWN BY DATE JGONZALEZ01 2010/06/09	TITLE ZSFP+ STACKED ASSY WITH LIGHT PIPES AND ELASTOMERIC GASKET	molex	SHEET NO. 2 OF 4
	▽=0	4 PLACES ± --- ± --- 3 PLACES ± --- ± --- 2 PLACES ± 0.13 ± --- 1 PLACE ± 0.25 ± --- 0 PLACE ± ±	CHECKED BY DATE JKACHLIC 2010/06/09	APPROVED BY DATE MBANAKIS 2010/11/17		
	▽=0	ANGULAR ±1/2°	DRAFT WHERE APPLICABLE MUST REMAIN WITHIN DIMENSIONS	MATERIAL NO. SEE CHART	DOCUMENT NO. SD-170071-0002	
REV			SIZE C	THIS DRAWING CONTAINS INFORMATION THAT IS PROPRIETARY TO MOLEX INCORPORATED AND SHOULD NOT BE USED WITHOUT WRITTEN PERMISSION		



NOTE:
LED PACKAGE SIZE AND POSITION SHALL NOT VIOLATE THE KEEP IN ZONE.
LED PLACEMENT SHOULD BE CENTERED WITHIN THE ZONE FOR OPTIMAL
LIGHT TRANSMISSION BUT MAY BE SAFELY OFFSET ±0.50

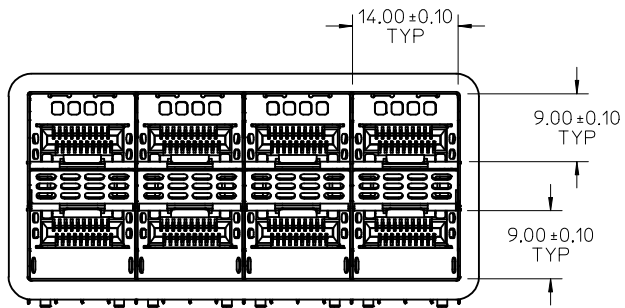
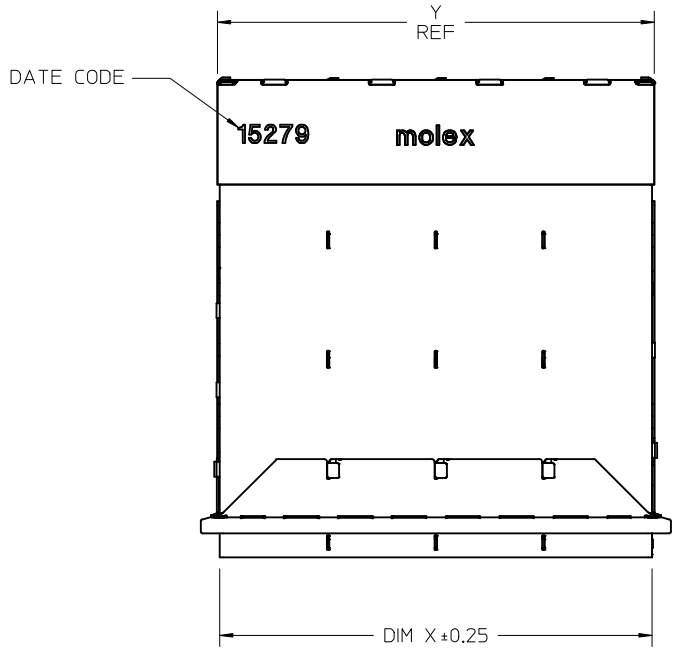
PORT SIZE	DIM "W"	HOLE CHART		
		SIGNALS (Ø0.37)	EMI CAGE (Ø0.56)	LOCATING PEG (Ø1.60)
2X1	14.25	40	24	2
2X2	28.50	80	39	4
2X4	57.00	160	69	8
2X6	85.50	240	99	12
2X8	114.00	320	129	16
2X12	171.00	480	189	24

SEE SHEET 1 EC NO: UCP2016-3736 DRWNSVANG01 2016/03/24 CHKD:BBARKER 2016/03/24 APPR:SMILLER 2016/08/15	QUALITY SYMBOLS ▽=0 ▽=0 ▽=0	GENERAL TOLERANCES (UNLESS SPECIFIED)		DIMENSION STYLE MM ONLY	SCALE 3:1	DESIGN UNITS METRIC	THIRD ANGLE PROJECTION	
		4 PLACES ± --- ± --- 3 PLACES ± --- ± --- 2 PLACES ± 0.13 ± --- 1 PLACE ± 0.25 ± --- 0 PLACE ± ±		DRAWN BY DATE JGONZALEZ01 2010/06/09		TITLE ZSFP+ STACKED ASSY WITH LIGHT PIPES AND ELASTOMERIC GASKET		SHEET NO. 3 OF 4
		ANGULAR ±1/2°		CHECKED BY DATE JKACHLIC 2010/06/09		APPROVED BY DATE MBANAKIS 2010/11/17		
		DRAFT WHERE APPLICABLE MUST REMAIN WITHIN DIMENSIONS		MATERIAL NO. SEE CHART		DOCUMENT NO. SD-170071-0002		THIS DRAWING CONTAINS INFORMATION THAT IS PROPRIETARY TO MOLEX INCORPORATED AND SHOULD NOT BE USED WITHOUT WRITTEN PERMISSION



CONFIGURATION	DIM "E"	DIM "S"
2X1	15.50	20.40 MINIMUM
2X2	29.75	34.65 MINIMUM
2X4	58.25	63.15 MINIMUM
2X5	72.50	77.40 MINIMUM
2X6	86.75	91.65 MINIMUM
2X8	115.25	120.15 MINIMUM
2X12	172.25	177.15 MINIMUM

SEE SHEET 1 EC NO: UCP2016-3736 DRWNS:VANG01 2016/03/24 CHKD:BBARKER 2016/03/24 APPR:SMILLER 2016/08/15	QUALITY SYMBOLS	GENERAL TOLERANCES (UNLESS SPECIFIED)	DIMENSION STYLE	SCALE	DESIGN UNITS	THIRD ANGLE PROJECTION
	▽=0	mm INCH	MM ONLY	2:1	METRIC	☉
	▽=0	4 PLACES ± --- ± ---	DRAWN BY DATE	TITLE		
	▽=0	3 PLACES ± --- ± ---	JGONZALEZ01 2010/06/09	ZSFP+ STACKED ASSY WITH LIGHT PIPES AND ELASTOMERIC GASKET		
	2 PLACES ± 0.13 ± ---	CHECKED BY DATE	APPROVED BY DATE MBANAKIS 2010/11/17			
	1 PLACE ± 0.25 ± ---	0 PLACE ± ±				
	ANGULAR ±1/2°	DRAFT WHERE APPLICABLE MUST REMAIN WITHIN DIMENSIONS	SIZE	MATERIAL NO.	DOCUMENT NO.	SHEET NO.
			C	SEE CHART	SD-170071-0002	4 OF 4
				THIS DRAWING CONTAINS INFORMATION THAT IS PROPRIETARY TO MOLEX INCORPORATED AND SHOULD NOT BE USED WITHOUT WRITTEN PERMISSION		



NOTES:

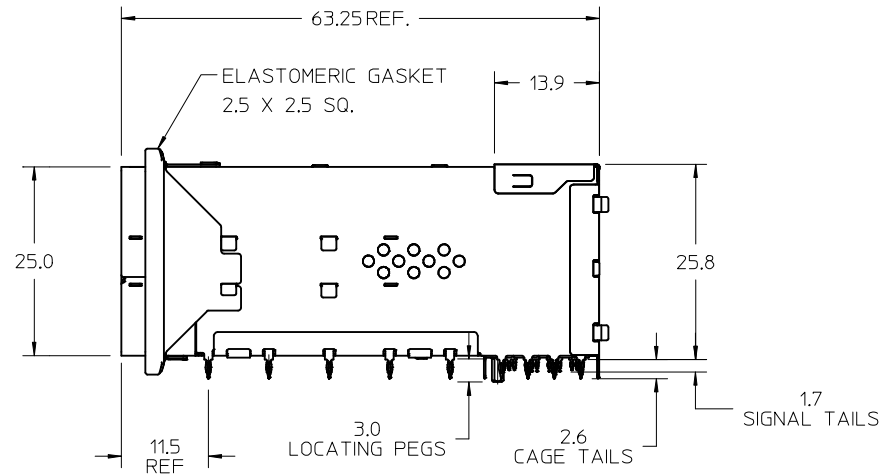
1. MATERIAL:

CAGE: NICKEL SILVER
 CONNECTOR HOUSING: GLASS FILLED THERMOPLASTIC, UL: 94V-0, COLOR: BLACK
 TERMINALS: HIGH PERFORMANCE COPPER ALLOY
 FRONT SHIELD WALL: COPPER ALLOY
 ELASTOMERIC GASKET: SILVER IMPREGNATED SILICONE

2. FINISH

TERMINALS: CONTACT AREA: 0.76 μm MIN. HARD GOLD OVER
 3.8 μm MIN. NICKEL.
 COMPLIANT TAIL: 0.7-1.5 μm MATTE TIN OVER
 0.7-1.5 μm NICKEL
 FRONT SHIELD WALL: 0.7-1.5 μm NICKEL OVERALL

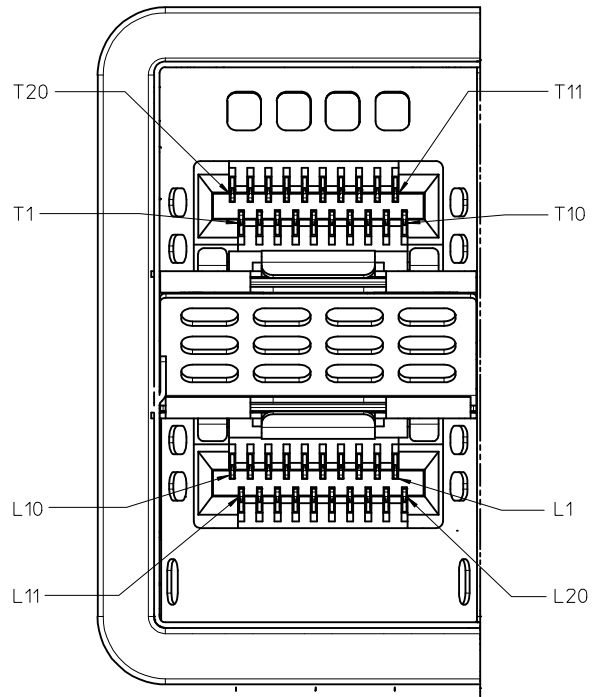
3. 2X4 CONFIGURATION SHOWN FOR REFERENCE, SEE CHART FOR AVAILABLE OPTIONS
 4. REFER TO PS-170071-0001 FOR ALL ELECTRICAL, MECHANICAL AND ENVIRONMENTAL SPECIFICATIONS.
 5. REFER TO AS-170071-0001 FOR CONNECTOR MOUNTING AND REWORK INFORMATION.
 6. REFER TO AS-170071-0002 FOR PCB ROUTING RECOMMENDATIONS.
 7. ALL SURFACES CLASS "C" PER MOLEX COSMETIC SPECIFICATION ES-171233-0001.



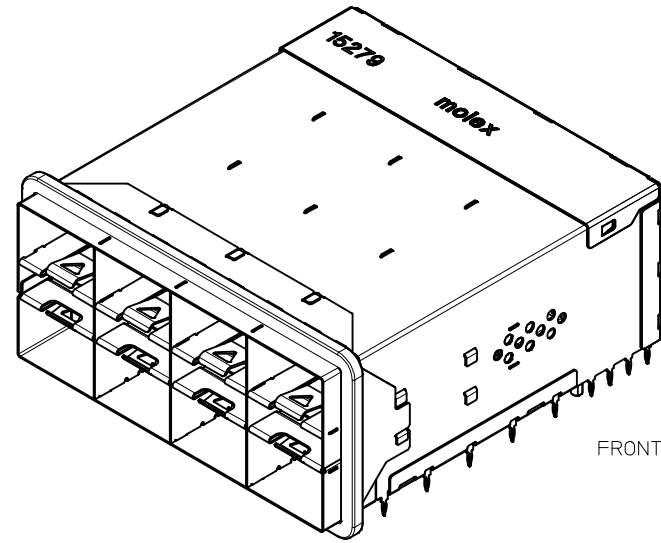
170071-4004 SHOWN FOR REFERENCE
 APPEARANCE MAY VARY WITH SIZE

PORT SIZE	PART NUMBER	DIM X	DIM Y
2X2	1700712004	28.75	29.35
2X4	1700714004	57.25	57.85
2X6	1700716004	85.75	86.35
2X8	1700718004	114.25	114.85
2X12	1700711204	171.25	171.85

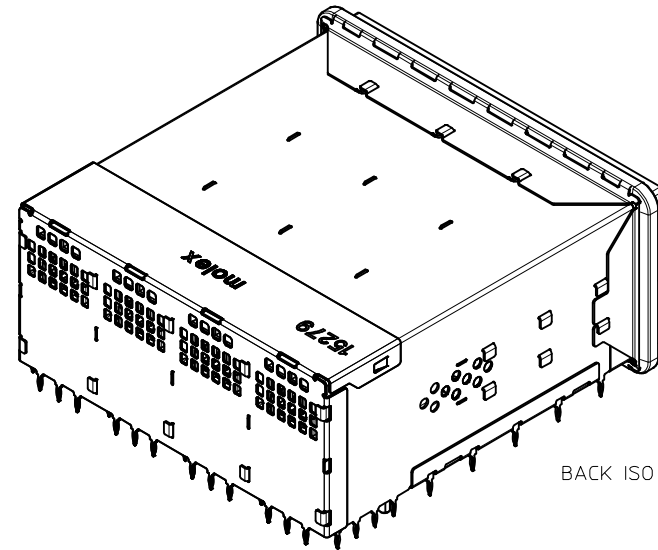
ADDED GENERAL TOL EC NO: UCP2016-3736 DRAWING: MPEGONDA 2016/07/26 CHKD: APPR: SMILLER 2016/08/15	DESCRIPTION	QUALITY SYMBOLS	GENERAL TOLERANCES (UNLESS SPECIFIED)	DIMENSION STYLE	SCALE	DESIGN UNITS	THIRD ANGLE PROJECTION
		▽=0 ▽=0 ▽=0	mm INCH	MM ONLY	2:1	METRIC	
2	REV		4 PLACES ± --- ± ---	DRAWN BY	DATE	TITLE	
			3 PLACES ± --- ± ---	JKACHLIC	2015/06/24	ZSFP+ STACKED FLOW THRU WITH ELASTOMERIC GASKET	
			2 PLACES ± 0.13 ± ---	CHECKED BY	DATE	molex	
			1 PLACE ± 0.25 ± ---	APPROVED BY	DATE		
			0 PLACE ± ±	MBANAKIS	2015/06/25	DOCUMENT NO. SD-170071-0004	
			ANGULAR ±1/2°	MATERIAL NO.		SHEET NO. 1 OF 4	
			DRAFT WHERE APPLICABLE MUST REMAIN WITHIN DIMENSIONS	SEE CHART			
				THIS DRAWING CONTAINS INFORMATION THAT IS PROPRIETARY TO MOLEX INCORPORATED AND SHOULD NOT BE USED WITHOUT WRITTEN PERMISSION			



Partial1
SCALE 6:1

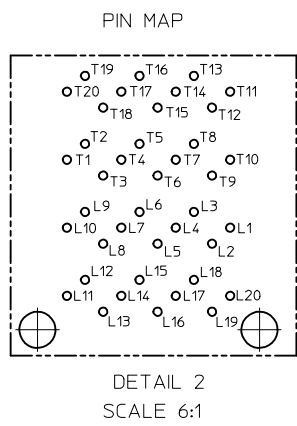
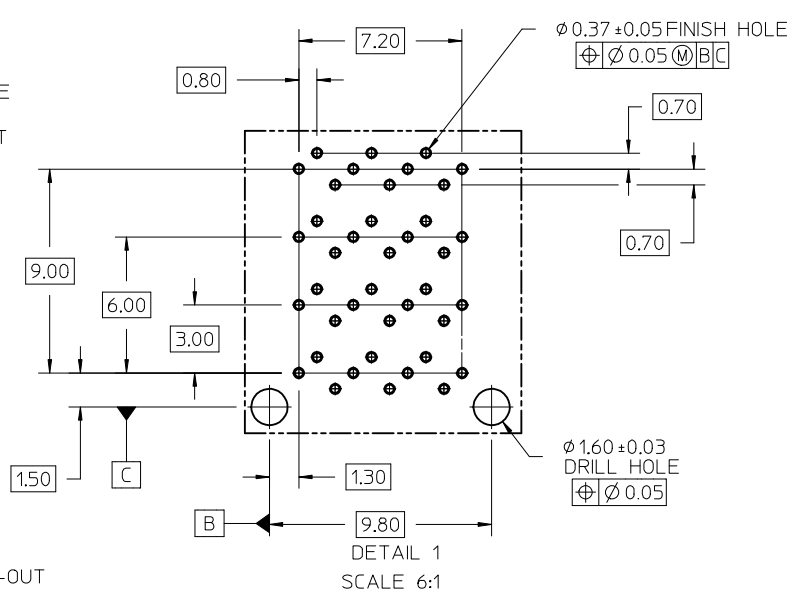
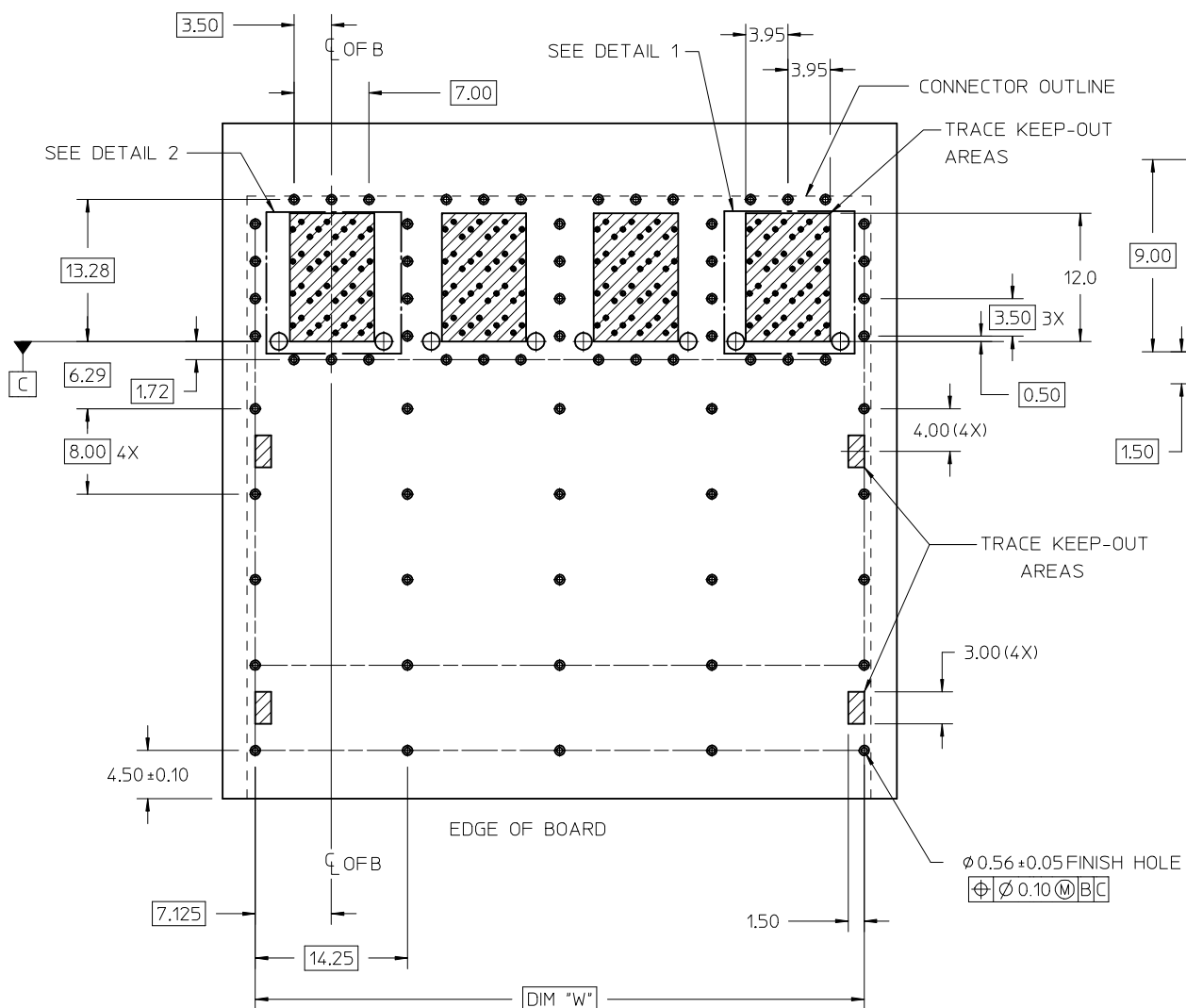


FRONT ISO VIEW



BACK ISO VIEW

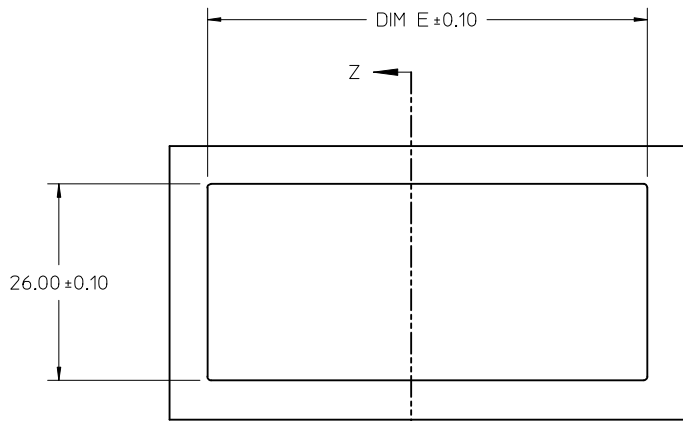
SEE SHEET 1 EC NO: UCP2016-3736 DRAWN: MKEP/CONDA 2016/07/26 CHKD: APPR: MILLER 2016/08/15 DESCRIPTION	QUALITY SYMBOLS	GENERAL TOLERANCES (UNLESS SPECIFIED)	DIMENSION STYLE	SCALE	DESIGN UNITS	THIRD ANGLE PROJECTION																		
	$\nabla = \text{Ø}$ $\nabla = \text{Ø}$ $\nabla = \text{Ø}$	<table border="1"> <thead> <tr> <th></th> <th>mm</th> <th>INCH</th> </tr> </thead> <tbody> <tr> <td>4 PLACES</td> <td>± ---</td> <td>± ---</td> </tr> <tr> <td>3 PLACES</td> <td>± ---</td> <td>± ---</td> </tr> <tr> <td>2 PLACES</td> <td>± 0.13</td> <td>± ---</td> </tr> <tr> <td>1 PLACE</td> <td>± 0.25</td> <td>± ---</td> </tr> <tr> <td>0 PLACE</td> <td>±</td> <td>±</td> </tr> </tbody> </table>		mm	INCH	4 PLACES	± ---	± ---	3 PLACES	± ---	± ---	2 PLACES	± 0.13	± ---	1 PLACE	± 0.25	± ---	0 PLACE	±	±	MM ONLY	2:1	METRIC	
		mm	INCH																					
	4 PLACES	± ---	± ---																					
3 PLACES	± ---	± ---																						
2 PLACES	± 0.13	± ---																						
1 PLACE	± 0.25	± ---																						
0 PLACE	±	±																						
	ANGULAR ±1/2°	DRAWN BY JKACHLIC DATE 2015/06/24	TITLE ZSFP+ STACKED FLOW THRU WITH ELASTOMERIC GASKET																					
	DRAFT WHERE APPLICABLE MUST REMAIN WITHIN DIMENSIONS	CHECKED BY DATE	APPROVED BY MBANAKIS DATE 2015/06/25																					
			MATERIAL NO. SEE CHART			DOCUMENT NO. SD-170071-0004																		
			THIS DRAWING CONTAINS INFORMATION THAT IS PROPRIETARY TO MOLEX INCORPORATED AND SHOULD NOT BE USED WITHOUT WRITTEN PERMISSION			SHEET NO. 2 OF 4																		



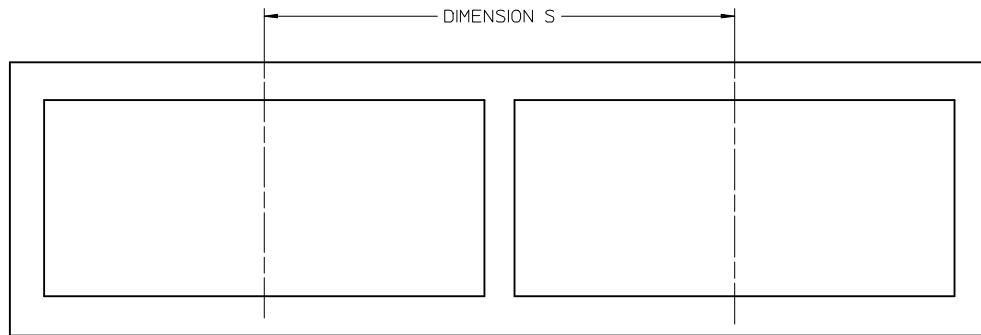
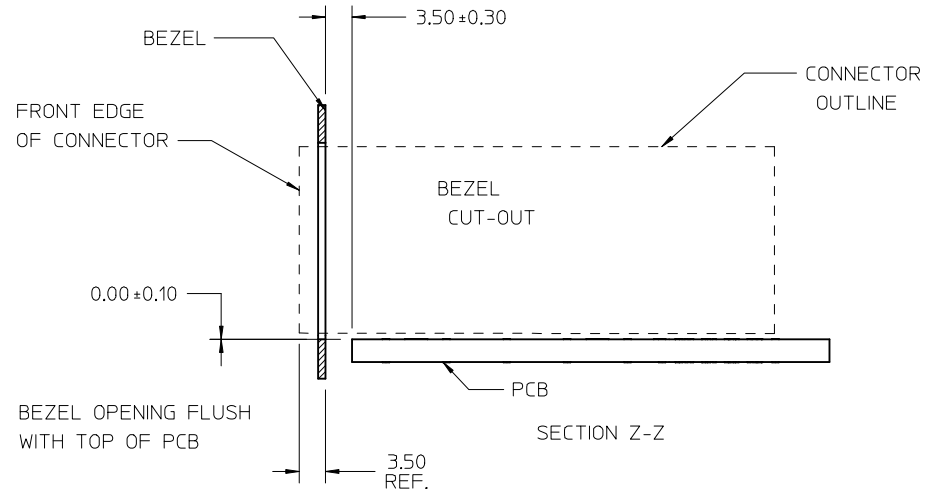
HOLE CHART				
PORT SIZE	DIM "W"	SIGNALS (Ø0.37)	SHIELD GROUND (Ø0.56)	CONNECTOR LOCATION (Ø1.60)
2X2	28.50	80	39	4
2X4	57.00	160	69	8
2X6	85.50	240	99	12
2X8	114.00	320	129	16
2X12	171.00	480	189	24

SEE SHEET 1 EC NO: UCP2016-3736 IDRWINKEMPEGONDA 2016/07/26 CHKD: MILLER APPR: MILLER 2016/08/15	DESCRIPTION QUALITY SYMBOLS $\nabla = 0$ $\nabla = 0$ $\nabla = 0$	GENERAL TOLERANCES (UNLESS SPECIFIED) <table border="1"> <tr> <th></th> <th>mm</th> <th>INCH</th> </tr> <tr> <td>4 PLACES</td> <td>± 0.13</td> <td>± 0.005</td> </tr> <tr> <td>3 PLACES</td> <td>± 0.13</td> <td>± 0.005</td> </tr> <tr> <td>2 PLACES</td> <td>± 0.13</td> <td>± 0.005</td> </tr> <tr> <td>1 PLACE</td> <td>± 0.25</td> <td>± 0.010</td> </tr> <tr> <td>0 PLACE</td> <td>±</td> <td>±</td> </tr> </table>		mm	INCH	4 PLACES	± 0.13	± 0.005	3 PLACES	± 0.13	± 0.005	2 PLACES	± 0.13	± 0.005	1 PLACE	± 0.25	± 0.010	0 PLACE	±	±	DIMENSION STYLE MM ONLY	SCALE 3:1	DESIGN UNITS METRIC	THIRD ANGLE PROJECTION
			mm	INCH																				
4 PLACES	± 0.13	± 0.005																						
3 PLACES	± 0.13	± 0.005																						
2 PLACES	± 0.13	± 0.005																						
1 PLACE	± 0.25	± 0.010																						
0 PLACE	±	±																						
DRAWN BY JKACHLIC DATE 2015/06/24 CHECKED BY DATE	APPROVED BY MBANAKIS DATE 2015/06/25	MATERIAL NO. SEE CHART	TITLE ZSFP+ STACKED FLOW THRU WITH ELASTOMERIC GASKET	DOCUMENT NO. SD-170071-0004	SHEET NO. 3 OF 4																			

DRAFT WHERE APPLICABLE MUST REMAIN WITHIN DIMENSIONS
 THIS DRAWING CONTAINS INFORMATION THAT IS PROPRIETARY TO MOLEX INCORPORATED AND SHOULD NOT BE USED WITHOUT WRITTEN PERMISSION



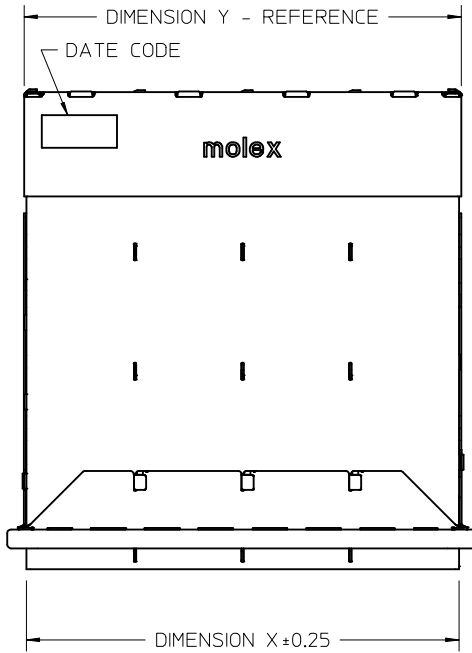
BEZEL CUT-OUT DETAIL
BEZEL THICKNESS 0.8-2.6



BEZEL CUT OUT FOR
CONNECTOR STACKING

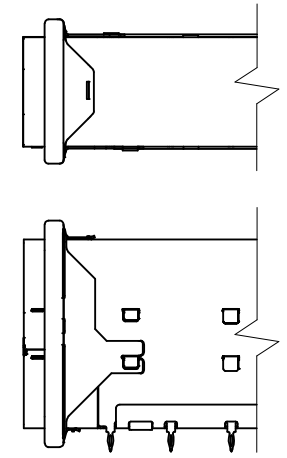
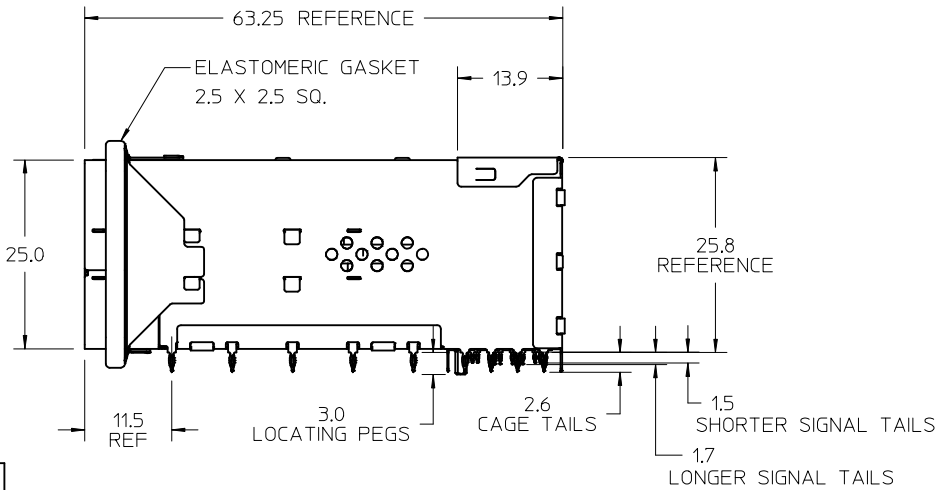
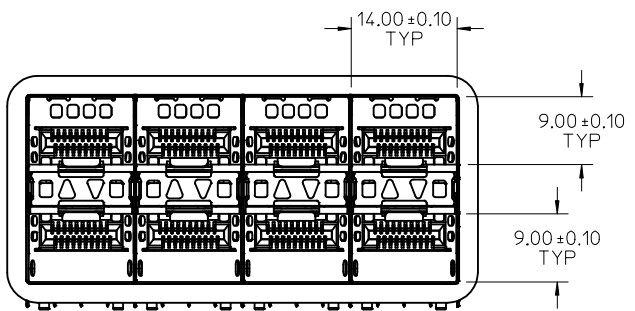
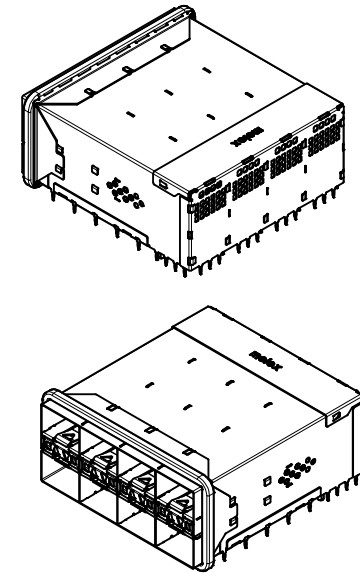
CONFIGURATION	DIM "E"	DIM "S"
2X2	29.75	34.65 MINIMUM
2X4	58.25	63.15 MINIMUM
2X6	86.75	91.65 MINIMUM
2X8	115.25	120.15 MINIMUM
2X12	172.25	177.15 MINIMUM

SEE SHEET 1 EC NO: UCP2016-3736 DR:WINWEMPEGONDA 2016/07/26 CHKD: APPR:SMILLER 2016/08/15	QUALITY SYMBOLS 	GENERAL TOLERANCES (UNLESS SPECIFIED)		DIMENSION STYLE MM ONLY	SCALE 2:1	DESIGN UNITS METRIC	THIRD ANGLE PROJECTION
		4 PLACES ± --- ± --- 3 PLACES ± --- ± --- 2 PLACES ± 0.13 ± --- 1 PLACE ± 0.25 ± --- 0 PLACE ± ±	mm INCH ± --- ± --- ± 0.13 ± --- ± 0.25 ± --- ± ±	DRAWN BY JKACHLIC 2015/06/24	DATE 2015/06/24	TITLE ZSFP+ STACKED FLOW THRU WITH ELASTOMERIC GASKET	
2	DESCRIPTION REV	ANGULAR ±1/2° DRAFT WHERE APPLICABLE MUST REMAIN WITHIN DIMENSIONS		APPROVED BY MBANAKIS 2015/06/25	DATE 2015/06/25	molex DOCUMENT NO. SD-170071-0004	
MATERIAL NO.				SEE CHART		SHEET NO. 4 OF 4	
THIS DRAWING CONTAINS INFORMATION THAT IS PROPRIETARY TO MOLEX INCORPORATED AND SHOULD NOT BE USED WITHOUT WRITTEN PERMISSION							



NOTES:

1. MATERIAL:
 CAGE: NICKEL SILVER
 CONNECTOR HOUSING: GLASS FILLED THERMOPLASTIC, UL: 94V-0, COLOR: BLACK
 LIGHT PIPES: POLYCARBONATE, 94 HB, COLOR: CLEAR
 TERMINALS: HIGH PERFORMANCE COPPER ALLOY
 FRONT SHIELD WALL: COPPER ALLOY
 LIGHT PIPE HOUSING: ZINC ALLOY
 ELASTOMERIC GASKET: SILVER IMPREGNATED SILICONE
2. FINISH
 TERMINALS: CONTACT AREA: 0.76 MICROMETER MINIMUM HARD GOLD OVER NICKEL.
 COMPLIANT TAIL: 0.7-1.5 MICROMETER MATTE TIN OVER NICKEL
 FRONT SHIELD WALL: 0.7-1.5 MICROMETER NICKEL OVERALL
 LIGHT PIPE HOUSING: NICKEL OVER COPPER
3. 2X4 CONFIGURATION SHOWN FOR REFERENCE, SEE CHART FOR AVAILABLE OPTIONS
4. REFER TO PS-170071-0001 FOR ALL ELECTRICAL, MECHANICAL AND ENVIRONMENTAL SPECIFICATIONS.
5. REFER TO AS-170071-0001 FOR CONNECTOR MOUNTING AND REWORK INFORMATION.
6. REFER TO AS-170071-0002 FOR PCB ROUTING RECOMMENDATIONS.
7. ALL VISIBLE EXTERIOR SURFACES TO BE CLASS "B" (BOTTOM OF CONNECTOR IS CLASS "C") CAGE SURFACES TO CONFORM TO THE MOLEX COSMETIC DOC PS-45499-002.



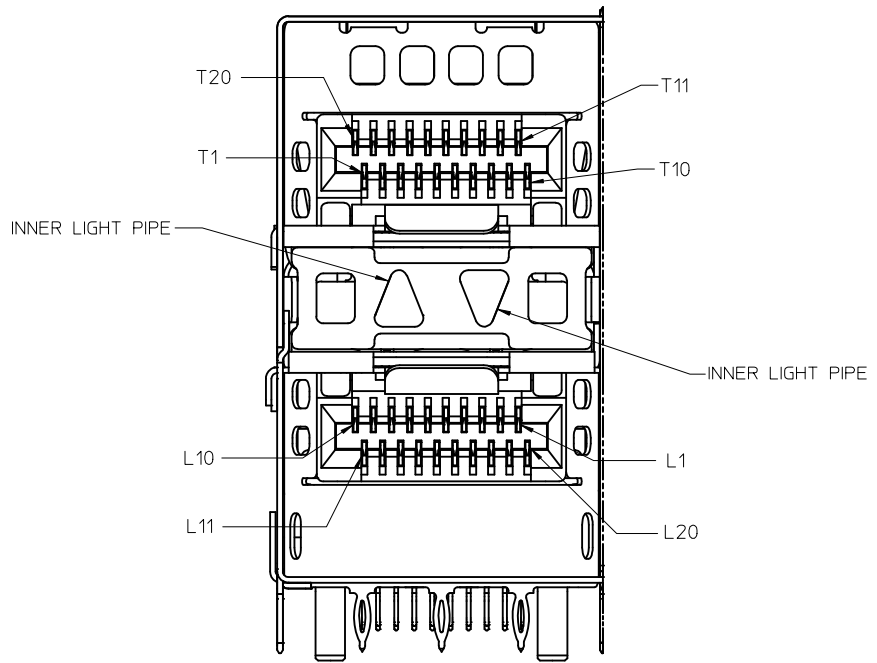
NUMBER OF PORTS	PART NUMBER	DIM X	DIM Y
2X1	170071108*	14.50	15.10
2X2	170071208*	28.75	29.35
2X4	170071408*	57.25	57.85
2X6	170071608*	85.75	86.35
2X8	170071808*	114.25	114.85
2X12	170071128*	171.25	171.85

170071-408* SHOWN FOR REFERENCE

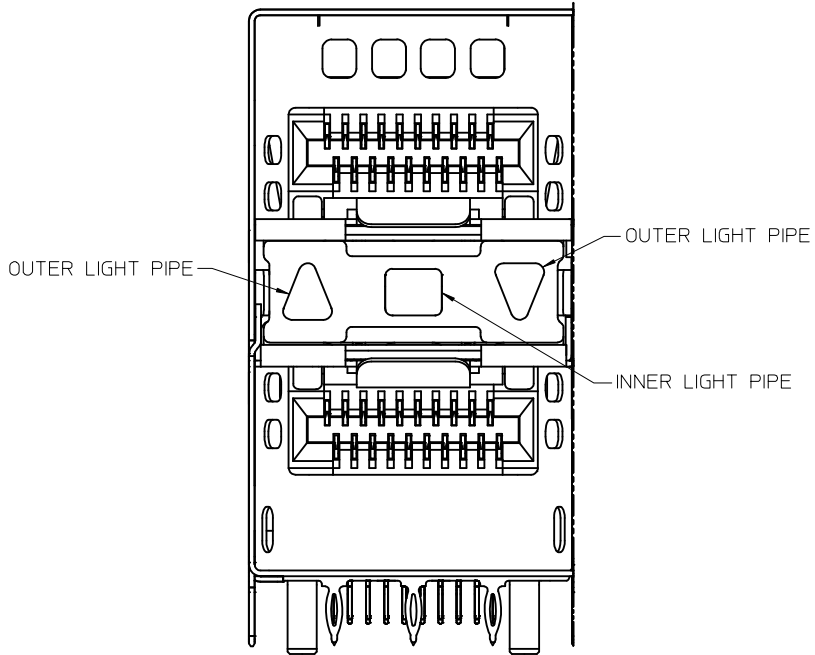
170071-108* APPEARANCE

*-DESIGNATES LIGHT PIPE CONFIGURATIONS, SEE SHEET 2

ADDED GENERAL TOL EC NO: UCP2016-3736 DRW:MKP/EGONDA 2016/07/25 CHKD: APPR:SMILLER 2016/08/15 REV	QUALITY SYMBOLS ∇=0 ∇=0 ∇=0	GENERAL TOLERANCES (UNLESS SPECIFIED) mm INCH 4 PLACES ± --- ± --- 3 PLACES ± --- ± --- 2 PLACES ± 0.13 ± --- 1 PLACE ± 0.25 ± --- 0 PLACE ± ±	DIMENSION STYLE MM ONLY DRAWN BY DATE BBARKER 2016/01/13 CHECKED BY DATE BBARKER 2016/02/26 APPROVED BY DATE SMILLER 2016/03/09	SCALE 2:1 DESIGN UNITS METRIC THIRD ANGLE PROJECTION	TITLE ZSFP+ STACKED ASSY LIGHT PIPES, ELAST GASKT VENTED CAGE BACK COVER molex	DOCUMENT NO. SD-170071-0005	SHEET NO. 1 OF 4
	DRAFT WHERE APPLICABLE MUST REMAIN WITHIN DIMENSIONS		MATERIAL NO. SEE CHART	THIS DRAWING CONTAINS INFORMATION THAT IS PROPRIETARY TO MOLEX INCORPORATED AND SHOULD NOT BE USED WITHOUT WRITTEN PERMISSION			
	ANGULAR ±1/2°		SIZE C				
	B		C				



INNER LIGHT PIPE
170071-**-82



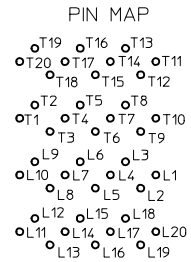
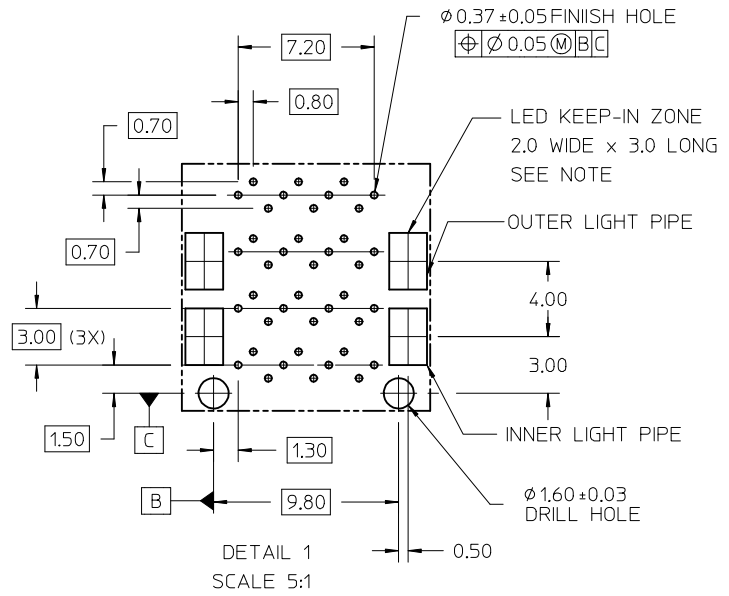
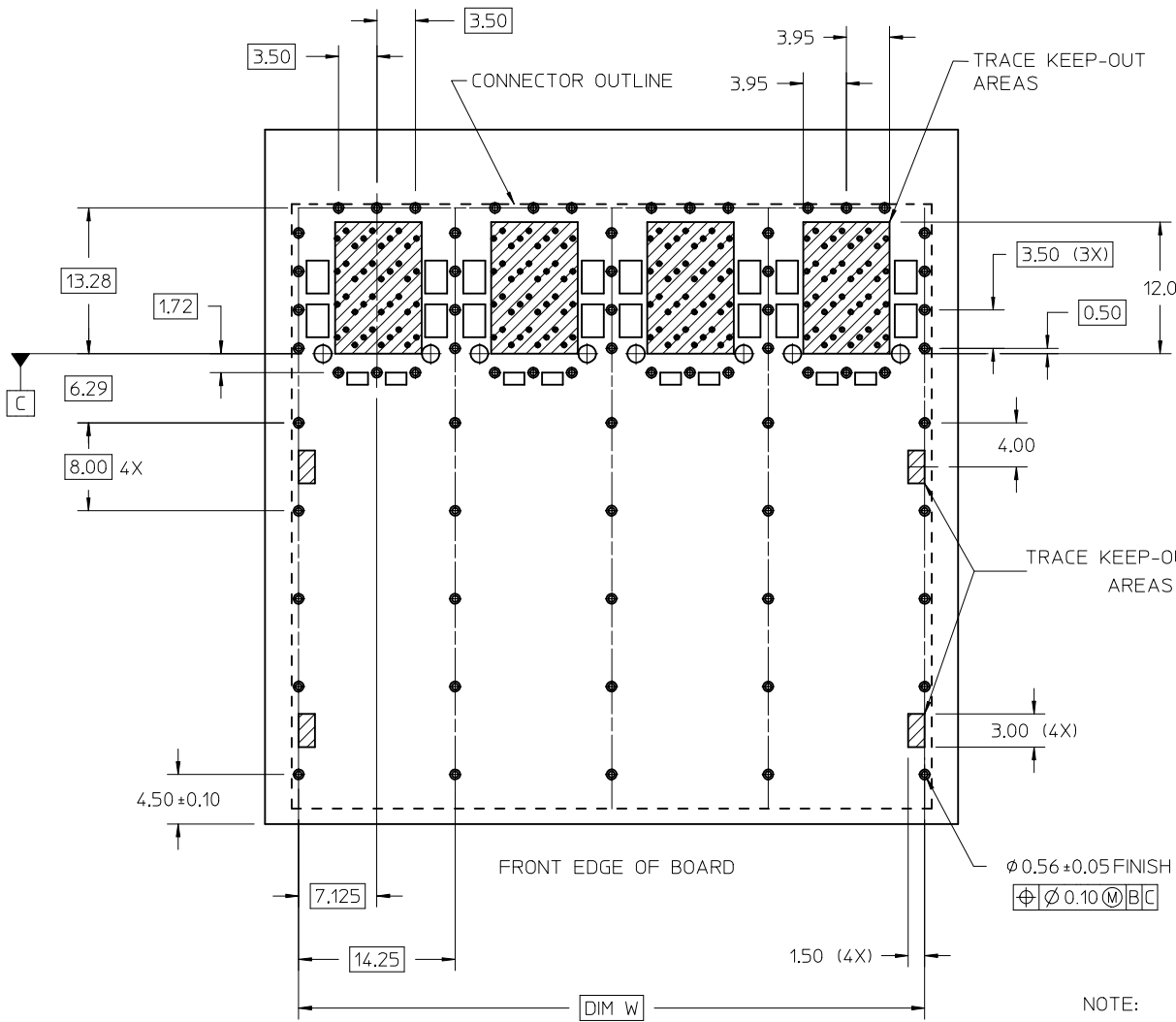
3 LIGHT PIPE
UP / MIDDLE / DOWN
170071-**-85

SEE PCB LAYOUT FOR
INNER AND OUTER LIGHT PIPE
EXIT LOCATIONS

PART NUMBER	DESCRIPTION
170071-**-82	INNER 2 PORTS
170071-**-85	3 LIGHT PIPES

** - DESIGNATES PORT SIZE

SEE SHEET 1 EC NO: UCP2016-3736 DRW:MKW/PEGONDA 2016/07/25 CHKD: APPR:SMILLER 2016/08/15	QUALITY SYMBOLS	GENERAL TOLERANCES (UNLESS SPECIFIED)	DIMENSION STYLE	SCALE	DESIGN UNITS	THIRD ANGLE PROJECTION
	▽=0	mm INCH	MM ONLY	3:1	METRIC	☉
	▽=0	4 PLACES ± --- ± ---	DRAWN BY DATE	TITLE		
	▽=0	3 PLACES ± --- ± ---	BBARKER 2016/01/13	ZSFP+ STACKED ASSY LIGHT PIPES, ELAST GASKT VENTED CAGE BACK COVER		
REV	DESCRIPTION	2 PLACES ± 0.13 ± ---	CHECKED BY DATE	DOCUMENT NO. SD-170071-0005 SHEET NO. 2 OF 4		
B		BBARKER 2016/02/26	APPROVED BY DATE			
		1 PLACE ± 0.25 ± ---	SMILLER 2016/03/09	THIS DRAWING CONTAINS INFORMATION THAT IS PROPRIETARY TO MOLEX INCORPORATED AND SHOULD NOT BE USED WITHOUT WRITTEN PERMISSION		
		0 PLACE ± ±	MATERIAL NO.	SEE TABLE		
		ANGULAR ±1/2°	SIZE	C		
		DRAFT WHERE APPLICABLE MUST REMAIN WITHIN DIMENSIONS				

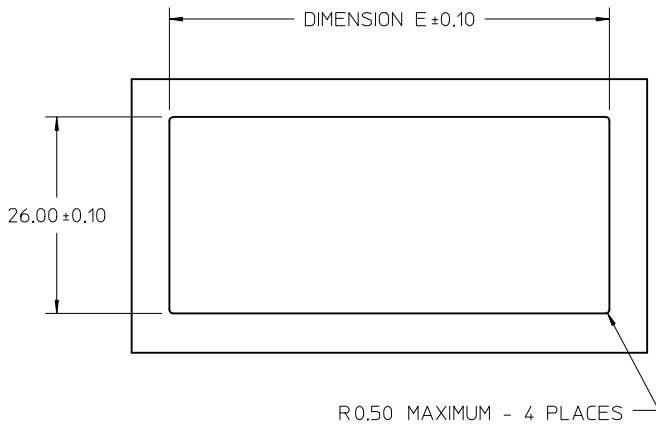


DETAIL 2
SCALE 5:1

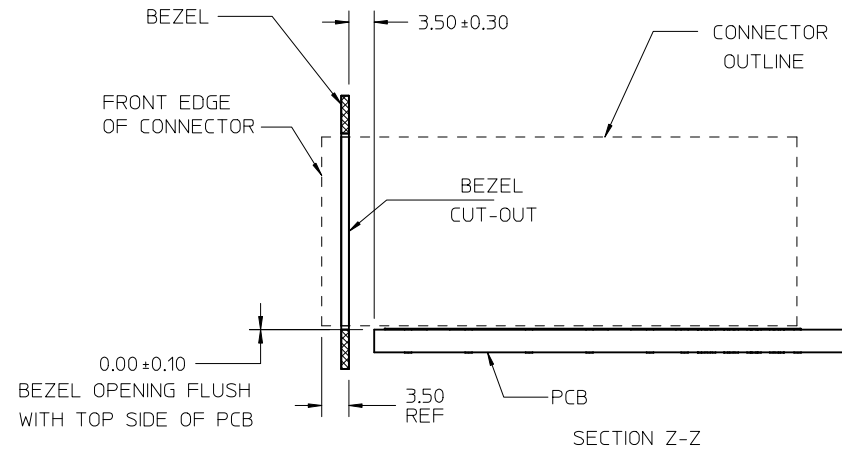
NOTE:
LED PACKAGE SIZE AND POSITION SHALL NOT VIOLATE THE KEEP IN ZONE.
LED PLACEMENT SHOULD BE CENTERED WITHIN THE ZONE FOR OPTIMAL
LIGHT TRANSMISSION BUT MAY BE SAFELY OFFSET ± 0.50

PORT SIZE	DIM "W"	HOLE CHART		
		SIGNALS ($\phi 0.37$)	EMI CAGE ($\phi 0.56$)	LOCATING PEG ($\phi 1.60$)
2X1	14.25	40	24	2
2X2	28.50	80	39	4
2X4	57.00	160	69	8
2X6	85.50	240	99	12
2X8	114.00	320	129	16
2X12	171.00	480	189	24

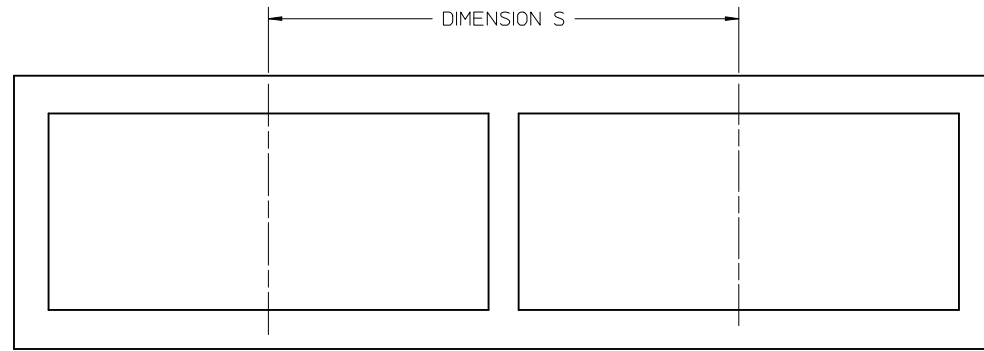
SEE SHEET 1 EC NO: UCP2016-3736 DRAWING REFERENCE: 2016/07/25 CHKD: SMILLER APPR: SMILLER 2016/08/15	QUALITY SYMBOLS	GENERAL TOLERANCES (UNLESS SPECIFIED)	DIMENSION STYLE MM ONLY	SCALE 3:1	DESIGN UNITS METRIC	THIRD ANGLE PROJECTION
	▽=0	4 PLACES ± --- ± ---	mm INCH	DRAWN BY BBARKER	DATE 2016/01/13	ZSFP+ STACKED ASSY LIGHT PIPES, ELAST GASKT VENTED CAGE BACK COVER molex
	▽=0	3 PLACES ± --- ± ---		CHECKED BY BBARKER	DATE 2016/02/26	
	▽=0	2 PLACES ± 0.13 ± ---		APPROVED BY SMILLER	DATE 2016/03/09	
▽=0	1 PLACE ± 0.25 ± ---					
		0 PLACE ± ±				
		ANGULAR $\pm 1/2^\circ$		MATERIAL NO.	DOCUMENT NO.	SHEET NO.
		DRAFT WHERE APPLICABLE MUST REMAIN WITHIN DIMENSIONS		SEE TABLES	SD-170071-0005	3 OF 4
			SIZE C	THIS DRAWING CONTAINS INFORMATION THAT IS PROPRIETARY TO MOLEX INCORPORATED AND SHOULD NOT BE USED WITHOUT WRITTEN PERMISSION		



BEZEL CUT-OUT DETAIL
BEZEL THICKNESS 0.8 TO 2.6



SECTION Z-Z



BEZEL CUT-OUT CENTER SPACING DETAIL

CONFIGURATION	DIM 'E'	DIM 'S'
2X1	15.50	20.40 MINIMUM
2X2	29.75	34.65 MINIMUM
2X4	58.25	63.15 MINIMUM
2X6	86.75	91.65 MINIMUM
2X8	115.25	120.15 MINIMUM
2X12	172.25	177.15 MINIMUM

SEE SHEET 1 EC NO: UCP2016-3736 DRW: WKP/EGONDA 2016/07/25 CHKD: APPR: SMILLER 2016/08/15	QUALITY SYMBOLS	GENERAL TOLERANCES (UNLESS SPECIFIED)	DIMENSION STYLE MM ONLY	SCALE 2:1	DESIGN UNITS METRIC	THIRD ANGLE PROJECTION
	▽=0	mm INCH	DRAWN BY DATE BBARKER 2016/01/13	TITLE	ZSFP+ STACKED ASSY LIGHT PIPES, ELAST GASKT VENTED CAGE BACK COVER molex DOCUMENT NO. SD-170071-0005 SHEET NO. 4 OF 4	
	▽=0	4 PLACES ± --- ± ---	CHECKED BY DATE BBARKER 2016/02/26			
	▽=0	3 PLACES ± --- ± ---	APPROVED BY DATE SMILLER 2016/03/09			
	2 PLACES ± 0.13 ± ---	MATERIAL NO.				
		1 PLACE ± 0.25 ± ---	SEE TABLES			
		0 PLACE ± ±	SIZE C	THIS DRAWING CONTAINS INFORMATION THAT IS PROPRIETARY TO MOLEX INCORPORATED AND SHOULD NOT BE USED WITHOUT WRITTEN PERMISSION		
		ANGULAR ±1/2°				
		DRAFT WHERE APPLICABLE MUST REMAIN WITHIN DIMENSIONS				