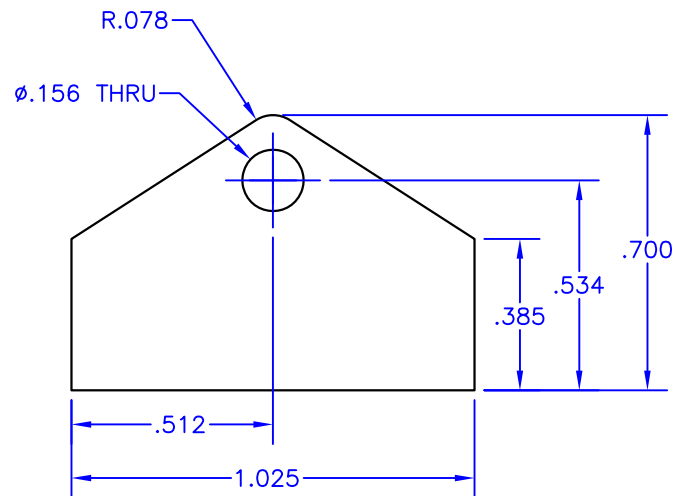


4

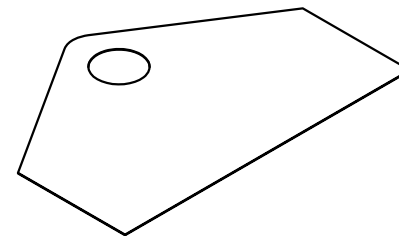
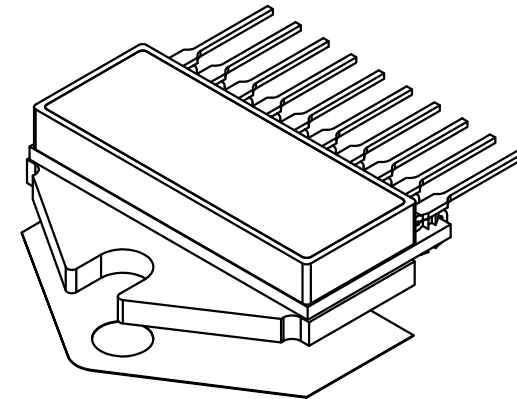
3

2

1



.003
See Notes 2 & 3.



NOTES:

1. Unless otherwise noted, all dimensions are in inches.
2. Foil Material: .002 thick 1145 aluminum
3. Interface Material: .0005 thick phase-change thermal compound, both sides.
Maximum shipping & storage temperature – 40°C
Reflow temperature – 60°C
Maximum recommended service temperature – 200°C
4. Thermal impedance: .030 °C–in²/W (.194 °C–cm²/W) @ 20psi
5. Thermal washers shall be packaged in quantities of 10 with oversize separators between them.
6. Used with 10–pin PSIP packages (Apex designator: DN).
7. Power Devices part no. AL-102-070-APX
8. Supplier is to label each plastic box with the Apex part number.

TOLERANCES - UNLESS OTHERWISE SPECIFIED
.XX = ±.01 [.254]
.XXX = ±.005 [.127]
ANG. = ±5°



TITLE: THERMAL WASHER, P-SIP		MODEL: TW06	
SUBJECT: MECHANICAL DRAWING			
ENGINEER: D-M	DRAWN BY: R.MOR	DCAL: 13242	SH. 1 OF 1
FILENAME: TW06	REV: F	DATE: 03JUN13	

4

3

2

1