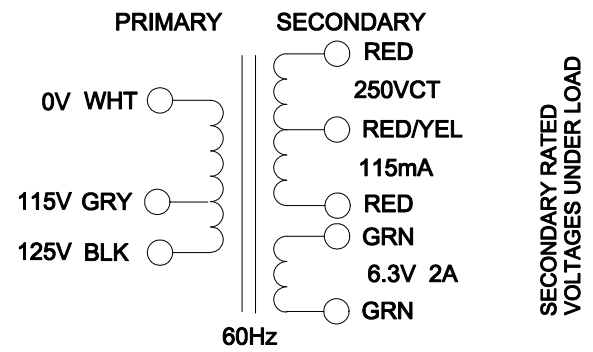
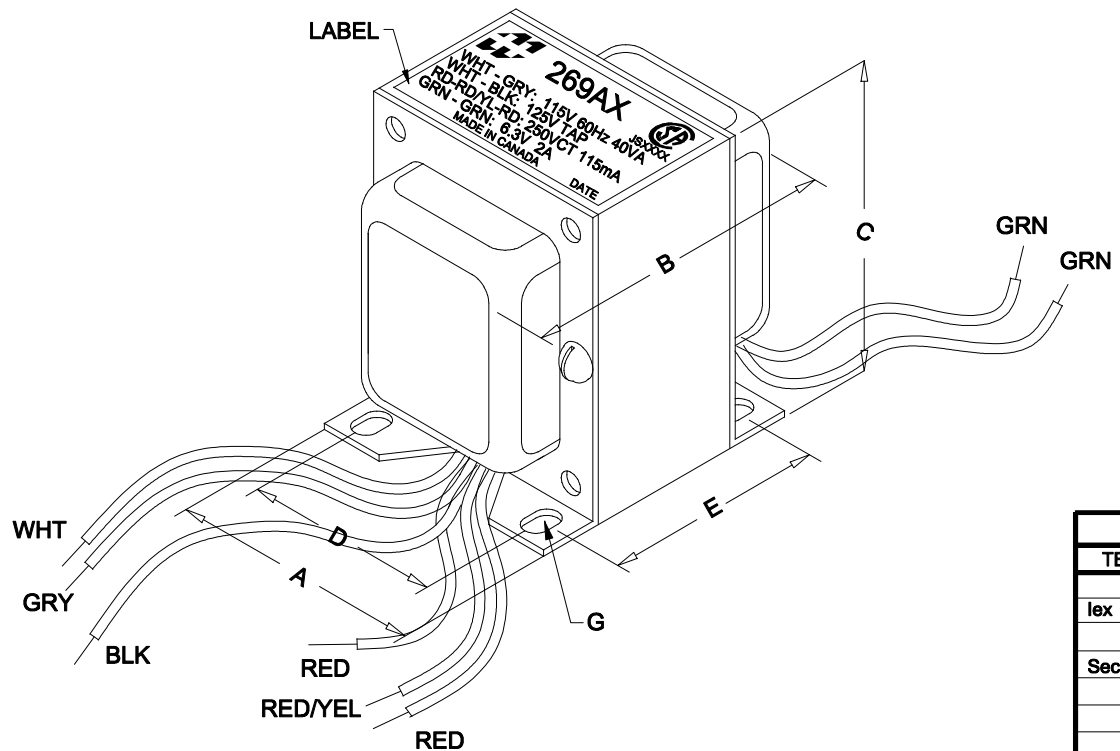


| DIMENSIONS: | |
|-------------|------------------------|
| A | 2.188" ±0.063 |
| B | 2.500" ±0.125 |
| C | 2.625" ±0.063 |
| D | 1.750" ±0.063 |
| E | 1.438" ±0.063 |
| G | 0.188" x 0.250" ±0.015 |



NOTE: ALL LEADS 6" OUT MIN. STRIPPED 0.5"

| ELECTRICAL DATA: | | |
|------------------|---------------------------------|---------------------|
| TESTS | CONDITIONS | ACCEPTANCE CRITERIA |
| I _{ex} | @ 125V, 60Hz, WHT - BLK | 122mA Max. |
| Sec. N.L.V | @ 125V, 60Hz, WHT - BLK | |
| | RED - RED = | 284.7V ±2% |
| | RED - RED/YEL = RED/YEL - RED = | 142.3V ±2% |
| | GRN - GRN = | 7.299V ±2% |
| DCR | @ 20°C, WHT - BLK = | 14.12 Ω ±20% |
| | @ 20°C, RED - RED = | 119.2 Ω ±20% |
| | @ 20°C, GRN - GRN = | 0.181 Ω ±20% |
| HIPOT | PRIMARY - SECONDARY | 2000V, 60Hz, 1 SEC |

| REV.# | REVISION | DATE | HAMMOND ELECTRONIC DIVISION | | 52 RANKIN PLACE, WATERLOO, ONTARIO, N2J 3Z5 | PH # (519) 886-6181 FAX # (519) 886-9540 |
|-------|-----------|---------------|-----------------------------|-------------------------|--|---|
| 0 | RELEASED. | C.I. 09/26/12 | MANUFACTURING™ | | | |
| | | | DWG. BY: C. ILIE | CHK'D BY: | TITLE: POWER TRANSFORMER | DWG. NO. 269AX |
| | | | DATE: 09/26/12 | APP'D. BY: | | |
| | | | | DIMENSIONS: IN(X) MM() | | |