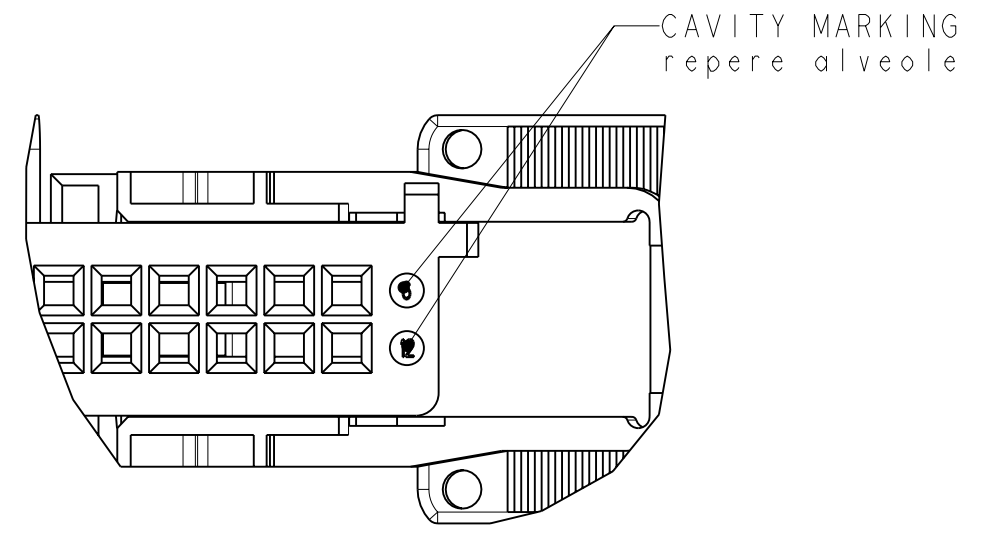
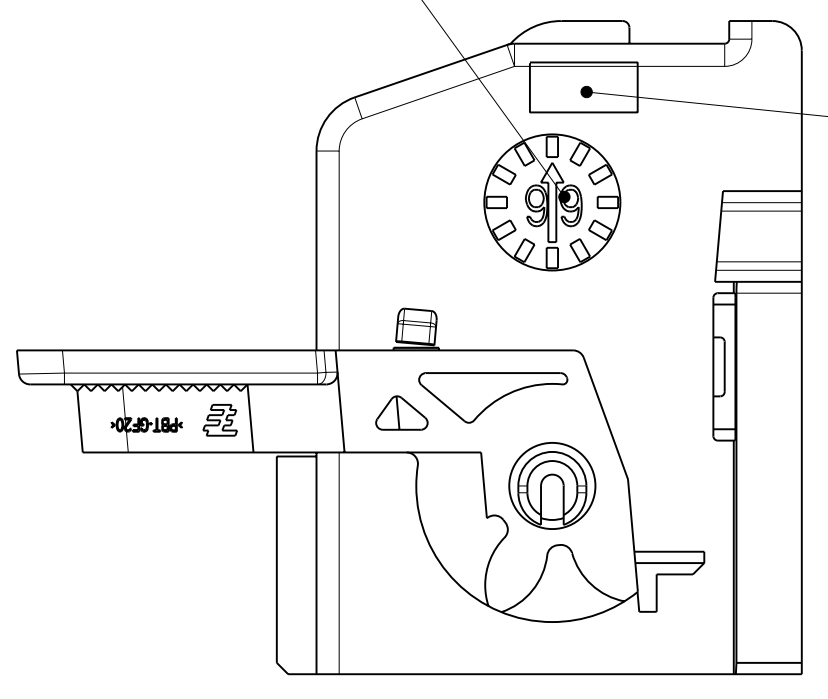
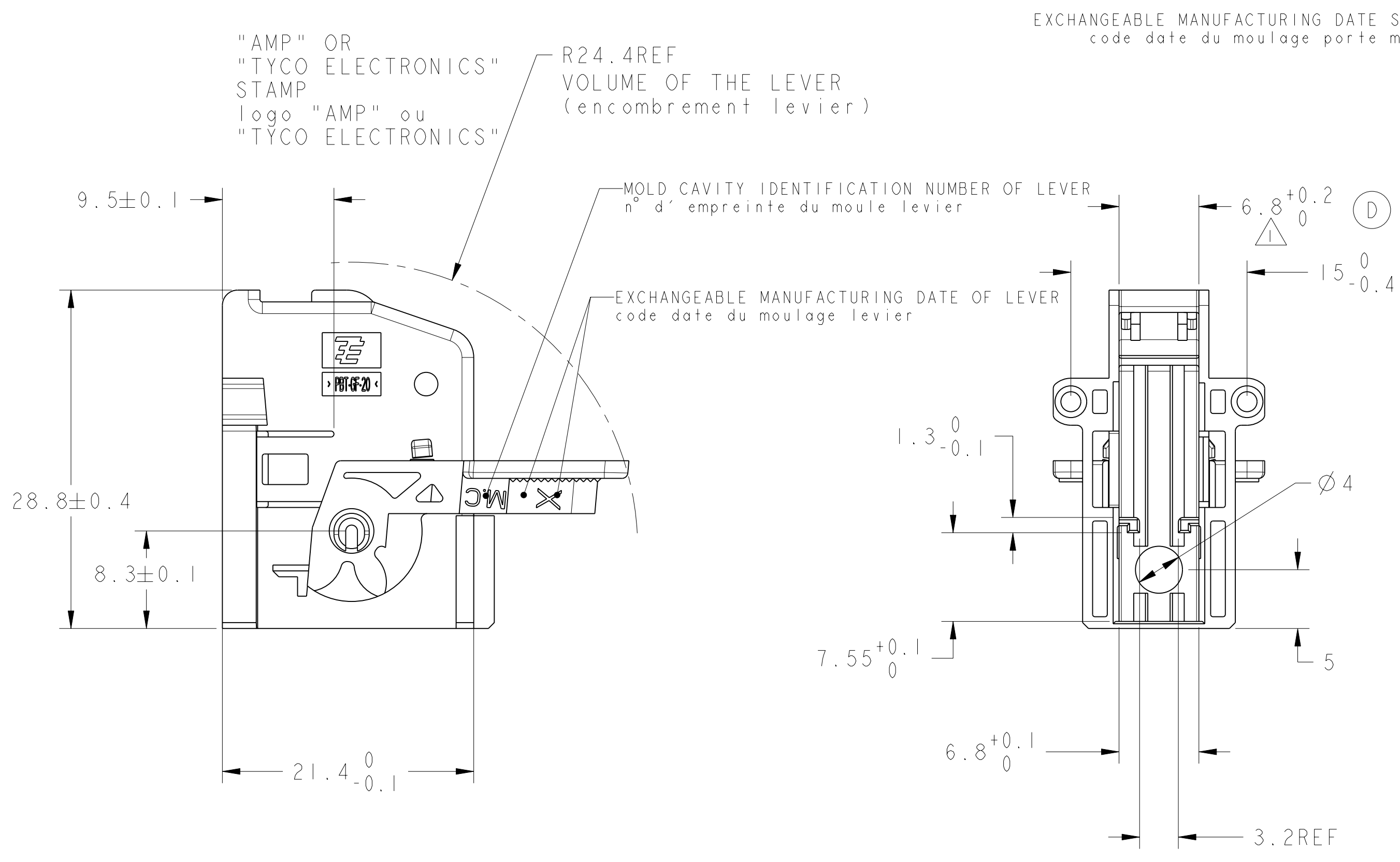


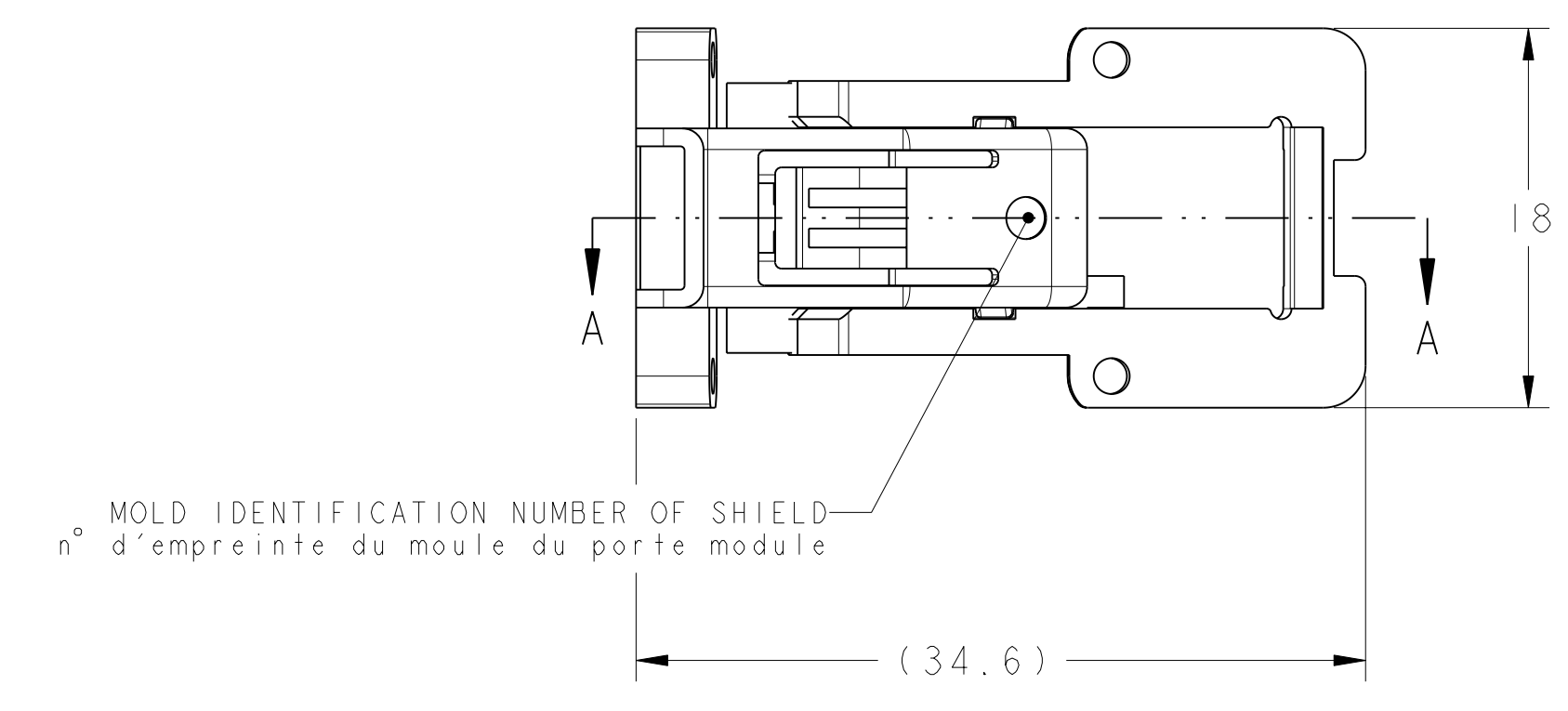
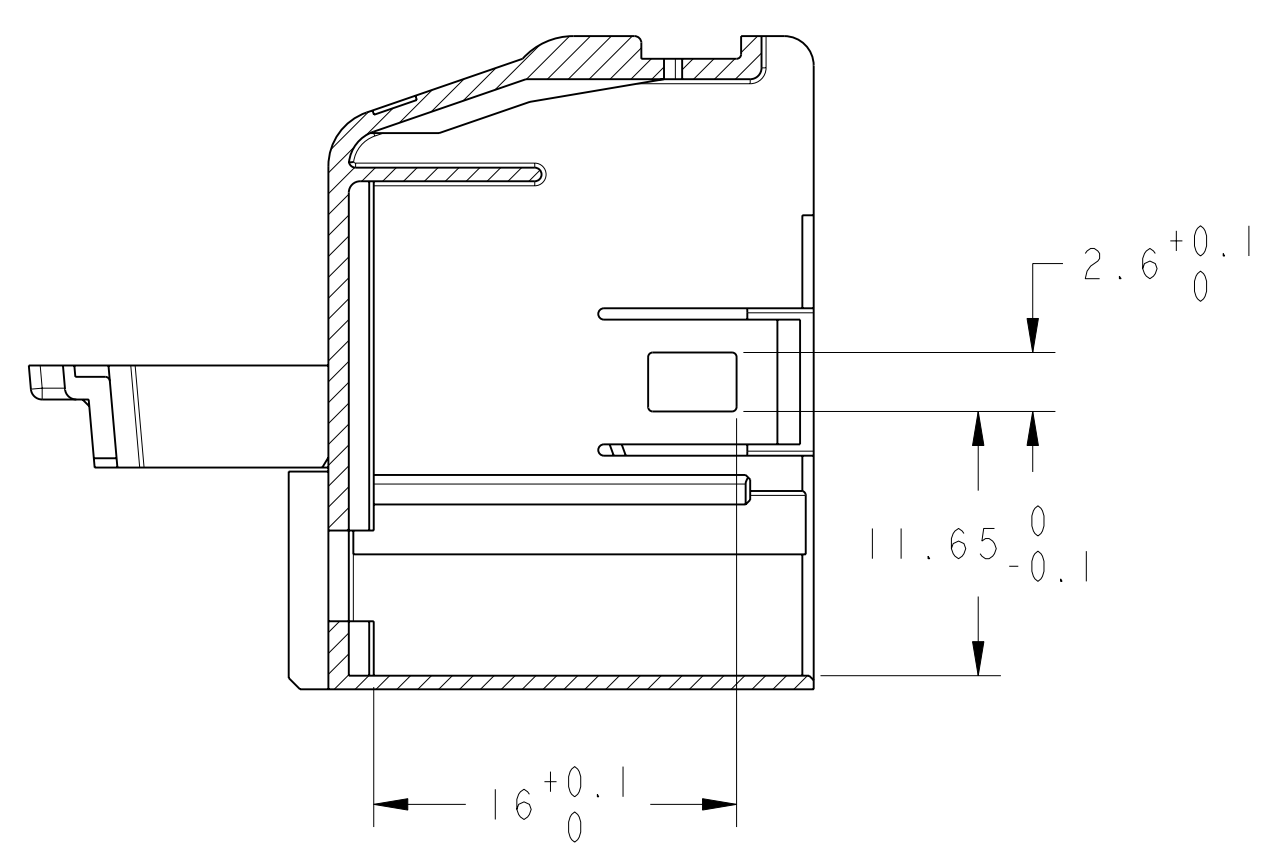
LOC	DIST	REVISIONS				
F	00	REV	DESCRIPTION MODIFICATIONS	DATE	DWN RESS	APPD APP
		A	MODIFICATION DESIGN FOR THE SHIELD	18APR2001	MP	JL
		B	ADDED PN 1397095-3	12AUG2003	MP	XR
		C	ADDED ASSEMBLY DATE CODE	13JUL2007	MP	XR
		D	DIMENSIONS UPDATED AND NOTE 1 ADDED	20AUG2010	EC	XR



DESIGNATION designation	ITEM rep.	QTTY qte	MATERIAL matiere	TE PN ref TE	COLOR couleur	KEYING detrompage
SHIELD capot	1	1	PBT GF 20% PBT 20% FV	1379095-3	BLACK noir	
LEVER levier	2	1	PBT GF 20% PBT 20% FV		BLACK noir	
SHIELD capot	1	1	PBT GF 20% PBT 20% FV	1379095-2	BLUE bleu	
LEVER levier	1	1	PBT GF 20% PBT 20% FV		BLACK noir	
SHIELD capot	1	1	PBT GF 20% PBT 20% FV	1379095-1	BROWN marron	
LEVER levier	2	1	PBT GF 20% PBT 20% FV		BLACK noir	



COUPE A-A



(D) ALLOWED DEFORMATION 0.3MAX

THIS DRAWING IS UNPUBLISHED. RELEASED FOR PUBLICATION DIFFUSION RESTREINTE AMP LIBRE A LA DIFFUSION © COPYRIGHT 1999 BY TYCO ELECTRONICS CORPORATION. ALL RIGHTS RESERVED. TOUS DROITS RESERVES.		DWN/DESSINE M. POLIFONTE CHK/VERIFIE J. LALANGE		06OCT99 06OCT99		TYCO ELECTRONICS France SAS BP 39, 95301 CERGY-PONTOISE Cedex	
DIMENSIONS: mm TOLERANCES UNLESS OTHERWISE SPECIFIED: 0 PLG/DEC: ± 1 PLG/DEC: ± 2 PLG/DEC: ±0.2 3 PLG/DEC: ± 4 PLG/DEC: ± ANGLES: ±°		TOLERANCES UNLESS OTHERWISE SPECIFIED: 0 PLG/DEC: ± 1 PLG/DEC: ± 2 PLG/DEC: ±0.2 3 PLG/DEC: ± 4 PLG/DEC: ± ANGLES: ±°		NAME SHIELD + LEVER FOR MOS 12 POS (0) ASSY GENE 11 PORTE-MODULE 12 VOIES MOS GENE 11 ASSY (0)		SIZE A1 CAGE CODE 00779 DRAWING NO 1379095	
MATERIAL/MATIERE VOIR TABLEAU		FINISH/FINITION VOIR TABLEAU		WEIGHT MASSE APPROX. 3.2g		CUSTOMER DRAWING /PLAN CLIENT UNIFORMITY SCALE 3:1 SHEET 1 OF 1 REV D	