

DETAILS

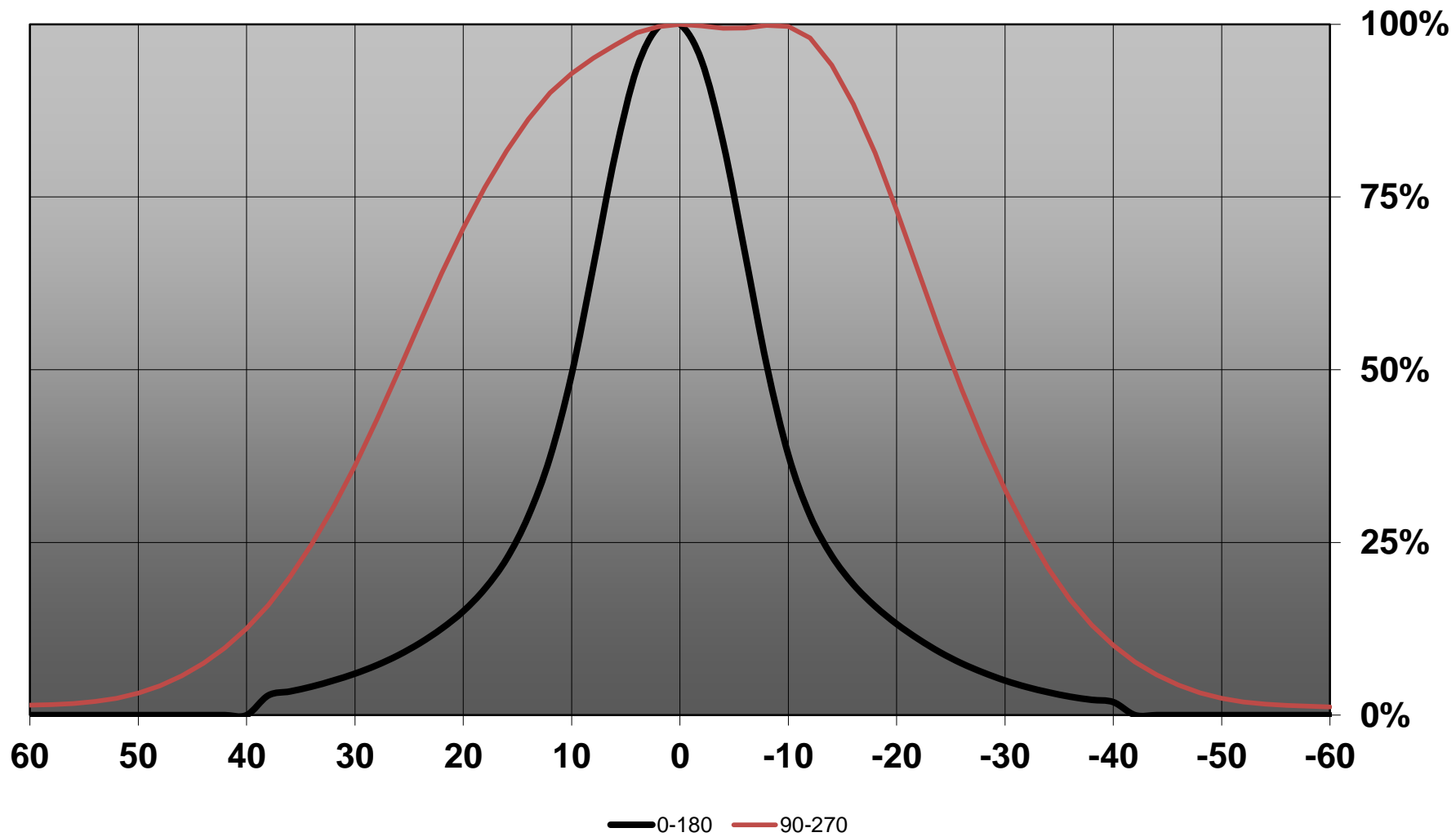
Product Number	CA12949_HEIDI-O
Family	Heidi
Type	Assembly
Color	clear
Diameter	21,6 mm
Height	11,7 mm
Style	round
Optic Material	PMMA
Holder Material	
Fastening	tape, pin
Status	production ready
ROHS Compliant	Yes
Date Updated	3/01/2017



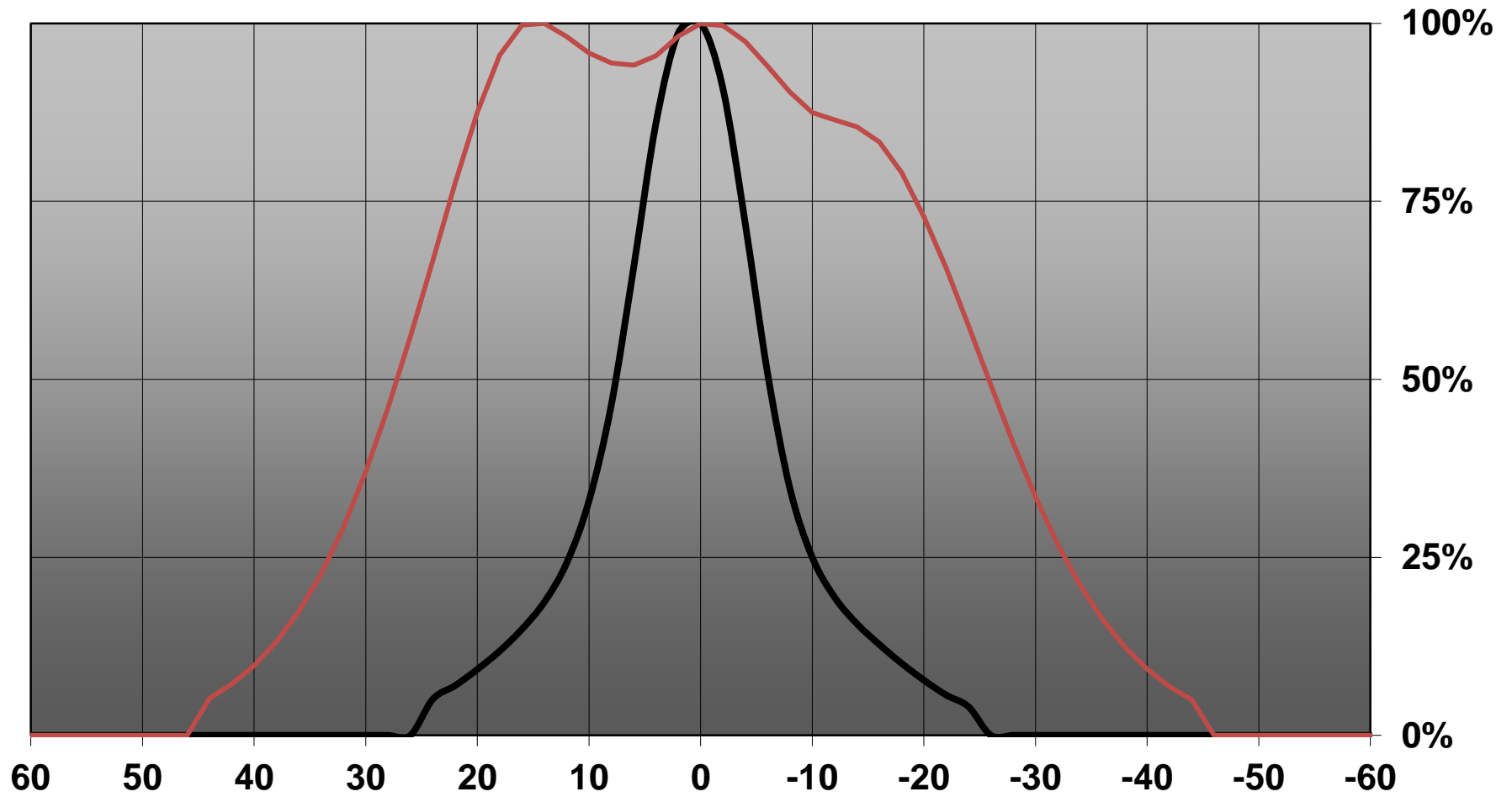
OPTICAL PROPERTIES

LED	Viewing	Light	Effi-		Connector
	Angle	Beam	ciency	cd/lm	
XP-L	52+16 deg	Oval	81 %	2.460	-
XHP35 HD	51+18 deg	Oval	77 %	2.220	-
XHP35 HI	53+14 deg	Oval	79 %	3.000	-
LUXEON Rebel ES	53+12 deg	Oval	82 %	3.400	-
LUXEON R	sim: 53 + 12	Oval	-	-	-
LUXEON A	sim: 51 + 12	Oval	sim: 84 %	sim: 3.350	-
NWSx229A	50+18 deg	Oval	76 %	2.150	-
NVSW3x9A	51+15 deg	Oval	89 %	2.500	-
Oslon Black Flat	sim: 54+8	Oval	sim: 89 %	sim: 4.800	-
Oslon Black	sim: 53+9	Oval	sim: 88 %	sim: 4.000	-

Relative intensity of CA12949_HEIDI-O_(XHP35_HD)



Relative intensity of CA12949_HEIDI-O_(XPH35_HI)



D

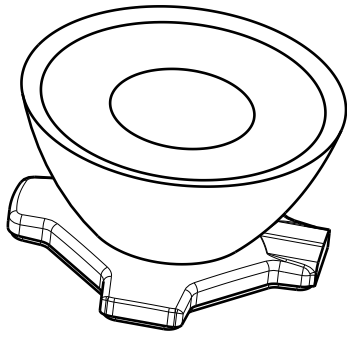
C

B

A

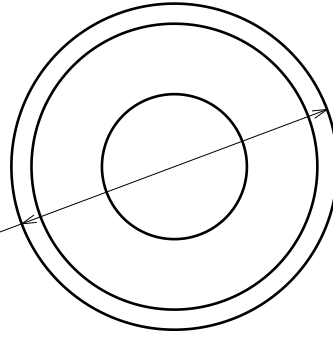
4

4



Isometric view

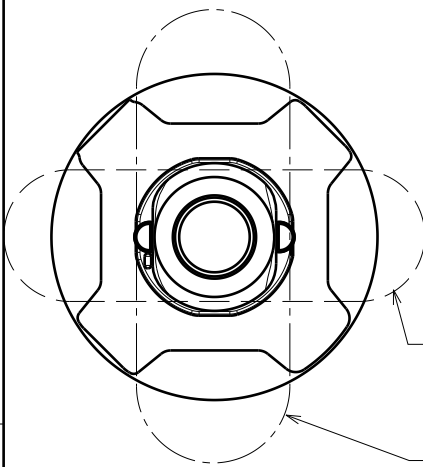
Ø 21.6



Top view

3

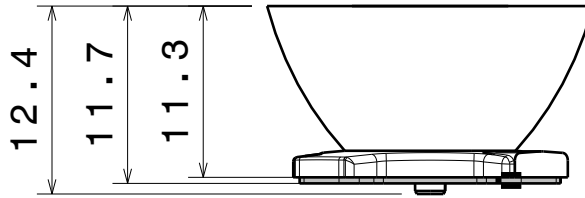
3



Bottom view
OVAL BEAM direction

Heidi-0

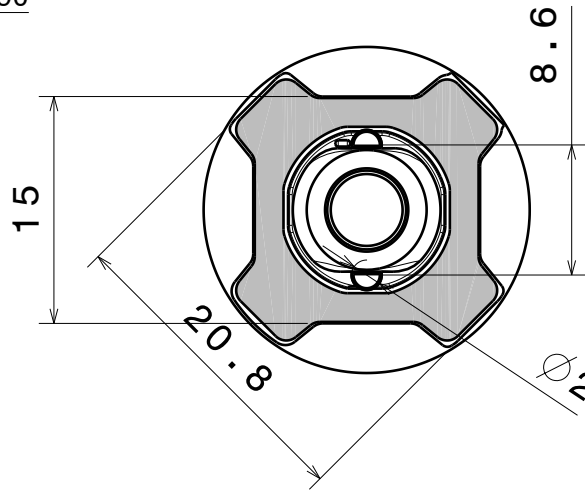
Heidi-0-90



Front view

2

2



Bottom view

Material:
Lens PMMA
Tape PU Foam

This drawing is our property.
It can't be reproduced
or communicated without
our written agreement.



Ledil Oy
Salorankatu 10
FIN-24100 SALO
Finland

DRAWING TITLE

Datasheet Heidi-Series Assy

DRAWN BY
ah

DATE
1.2.2012

CHECKED BY

DATE

SIZE
A4

DRAWING NUMBER

REV
2

DESIGNED BY

DATE

SCALE 2:1 WEIGHT (g)

SHEET 1/1

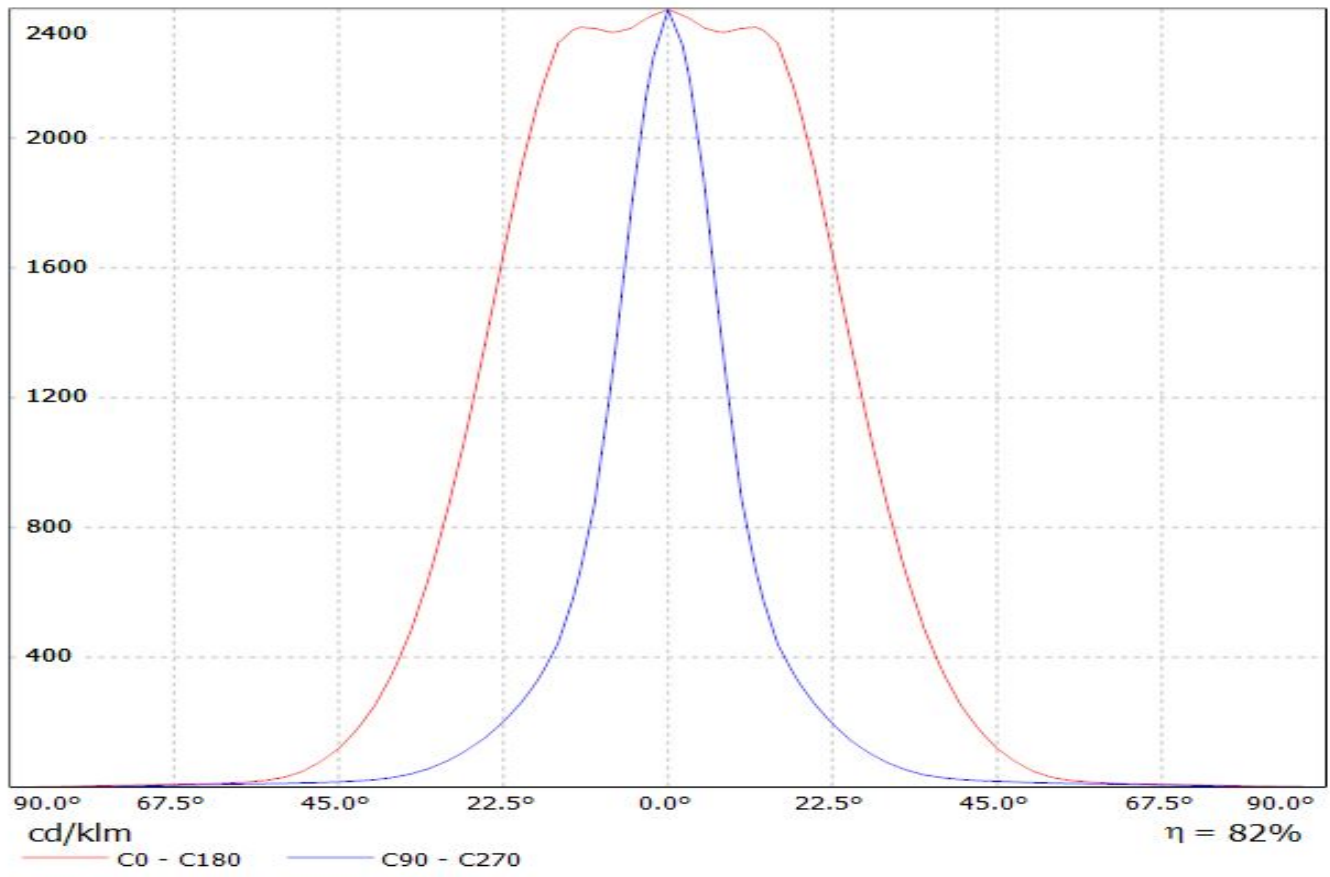
D

A

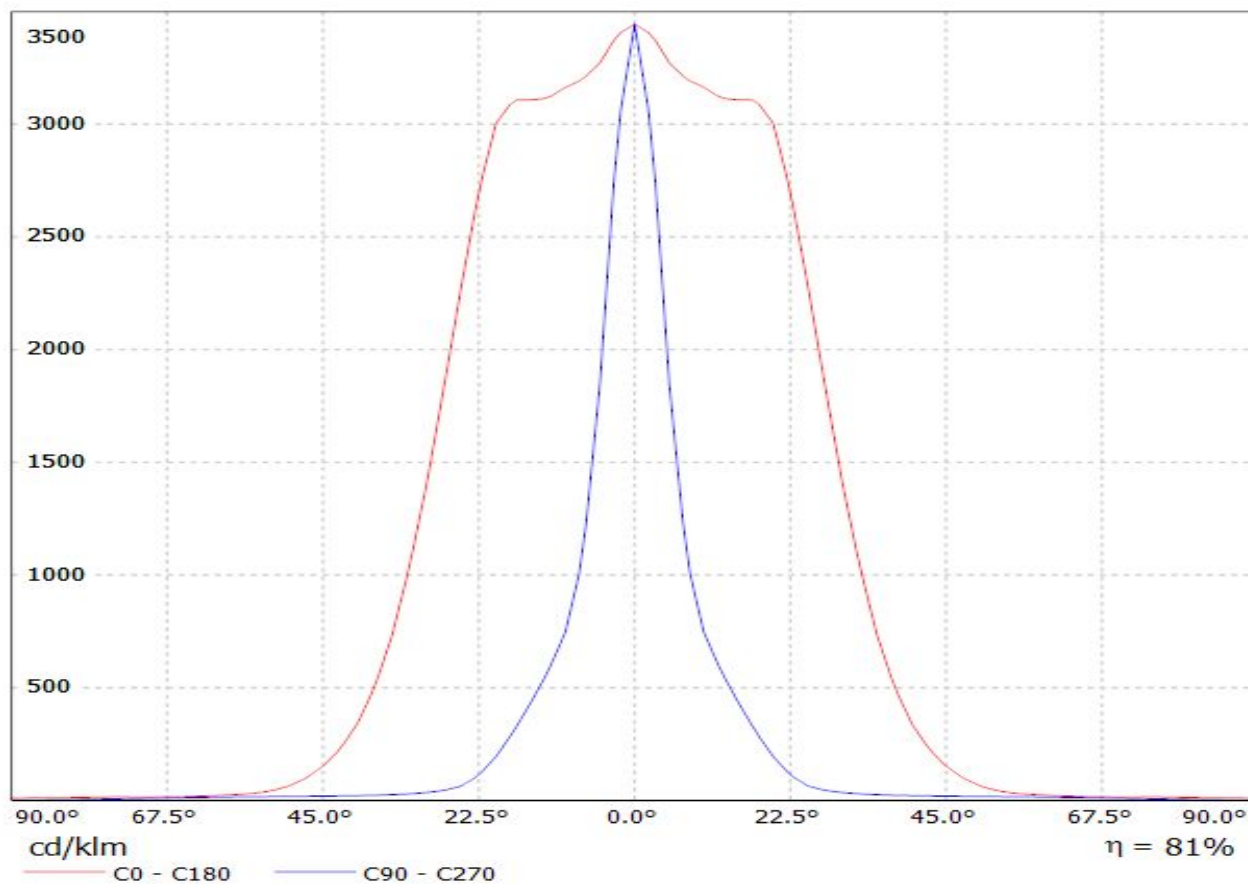
1

1

Luminaire: Ledil Oy CA12949_HEIDI-O_(XP-L) Efficiency=81%
Lamps: 1 x Cree XP-L 125lm @ 250mA CCT= P=0.72W I=250mA

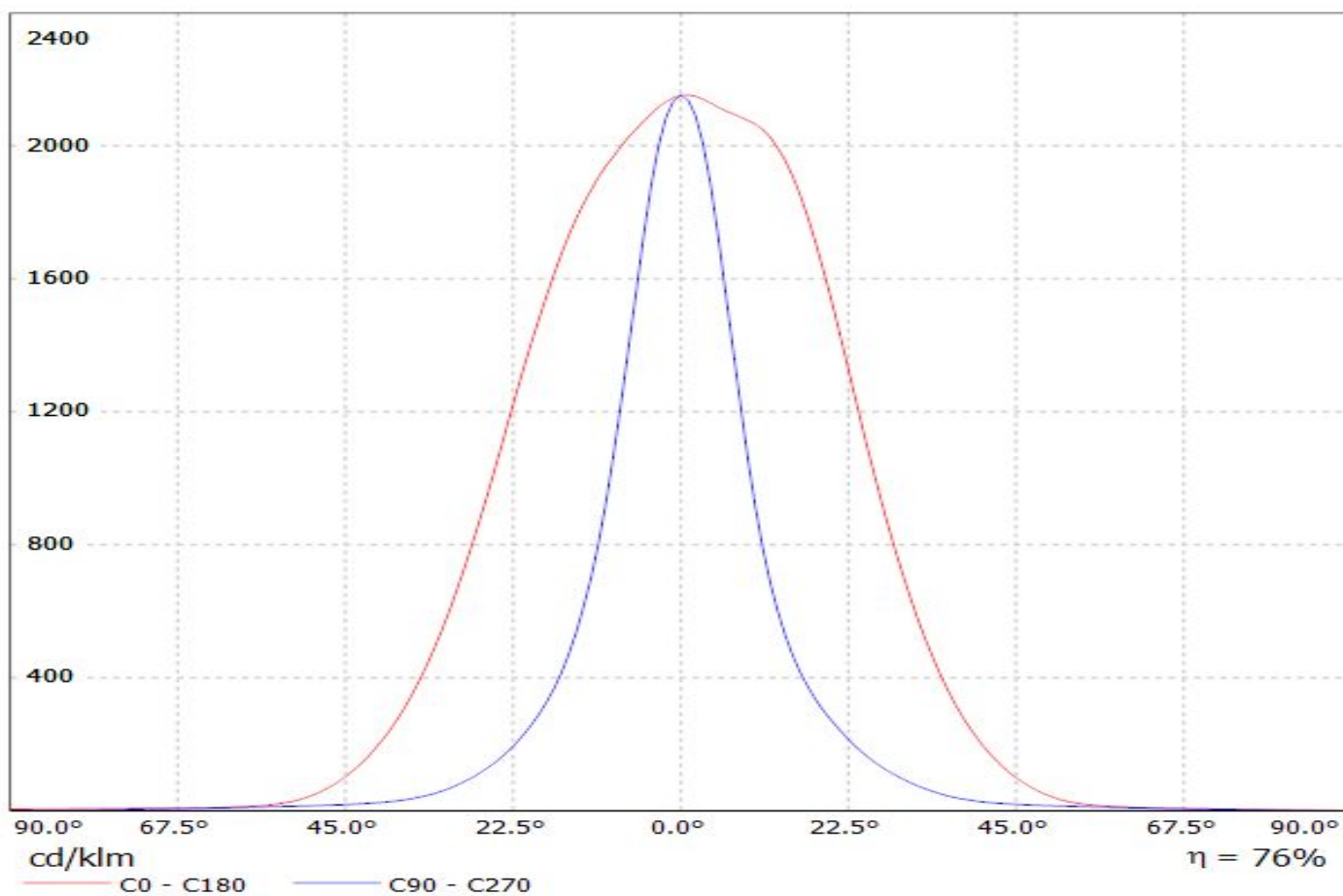


Luminaire: LEDIL OY CA12949_HEIDI-O (Luxeon Rebel-ES) Efficiency=82%
Lamps: 1 x Luxeon Rebel ES (90lm @ 250mA)



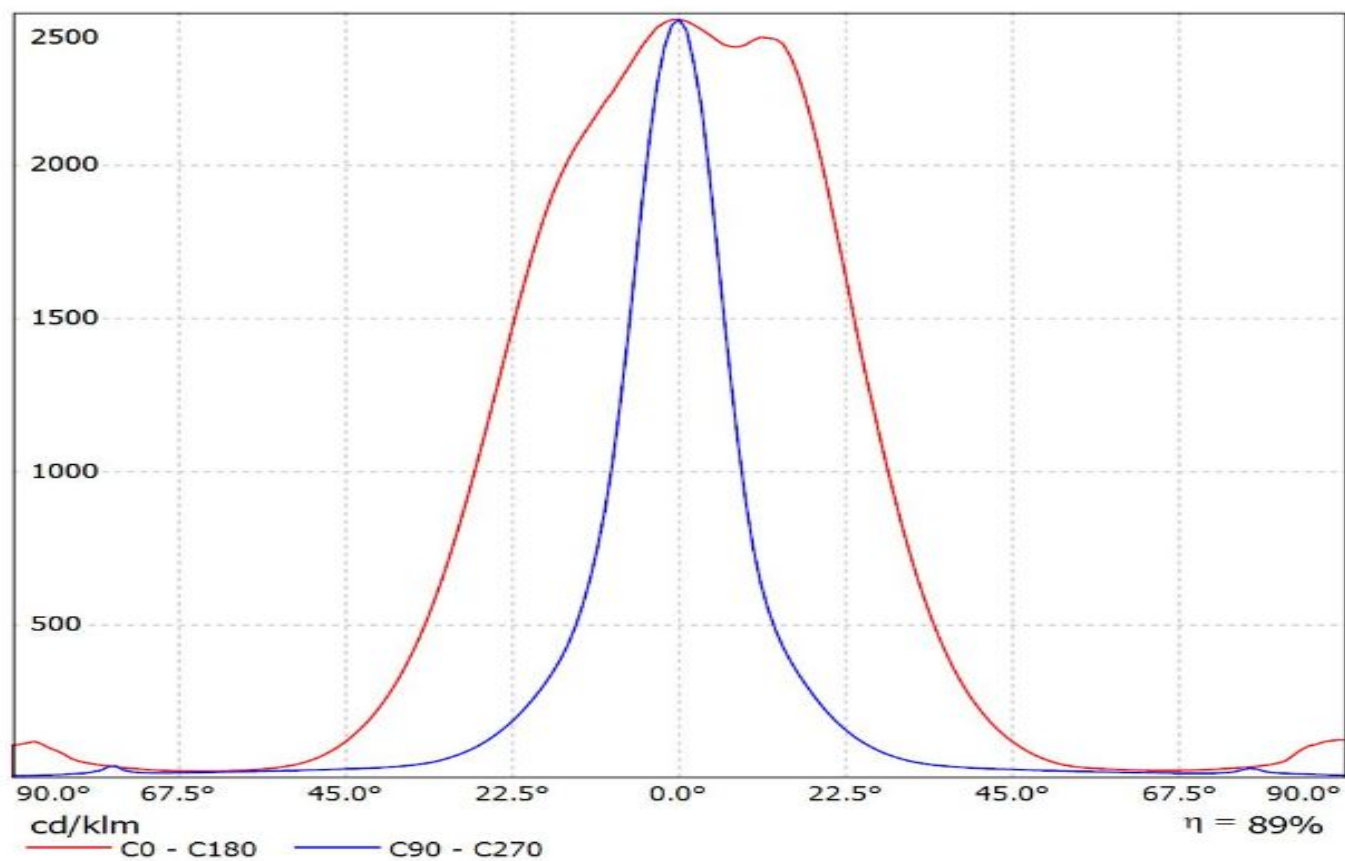
Luminaire: LEDiL Oy CA12949_HEIDI-O_(NWSL229AE)

Lamps: 1 x Nichia_NWSL229AE_120.537lm@250mA_P=0.7126W_I=0.250A

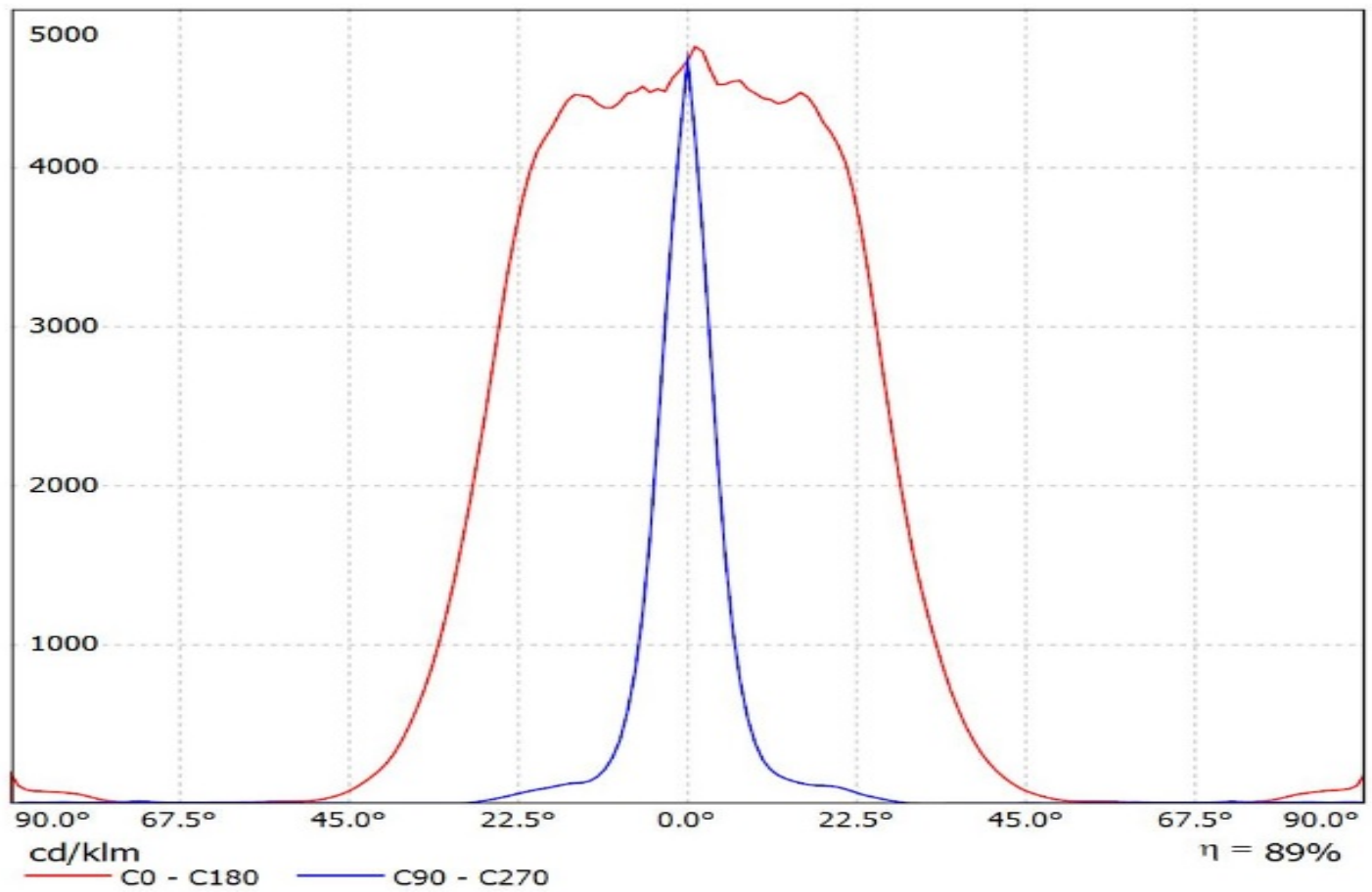


Luminaire: Ledil CA12949_HEIDI-O_(NVSW319AE)

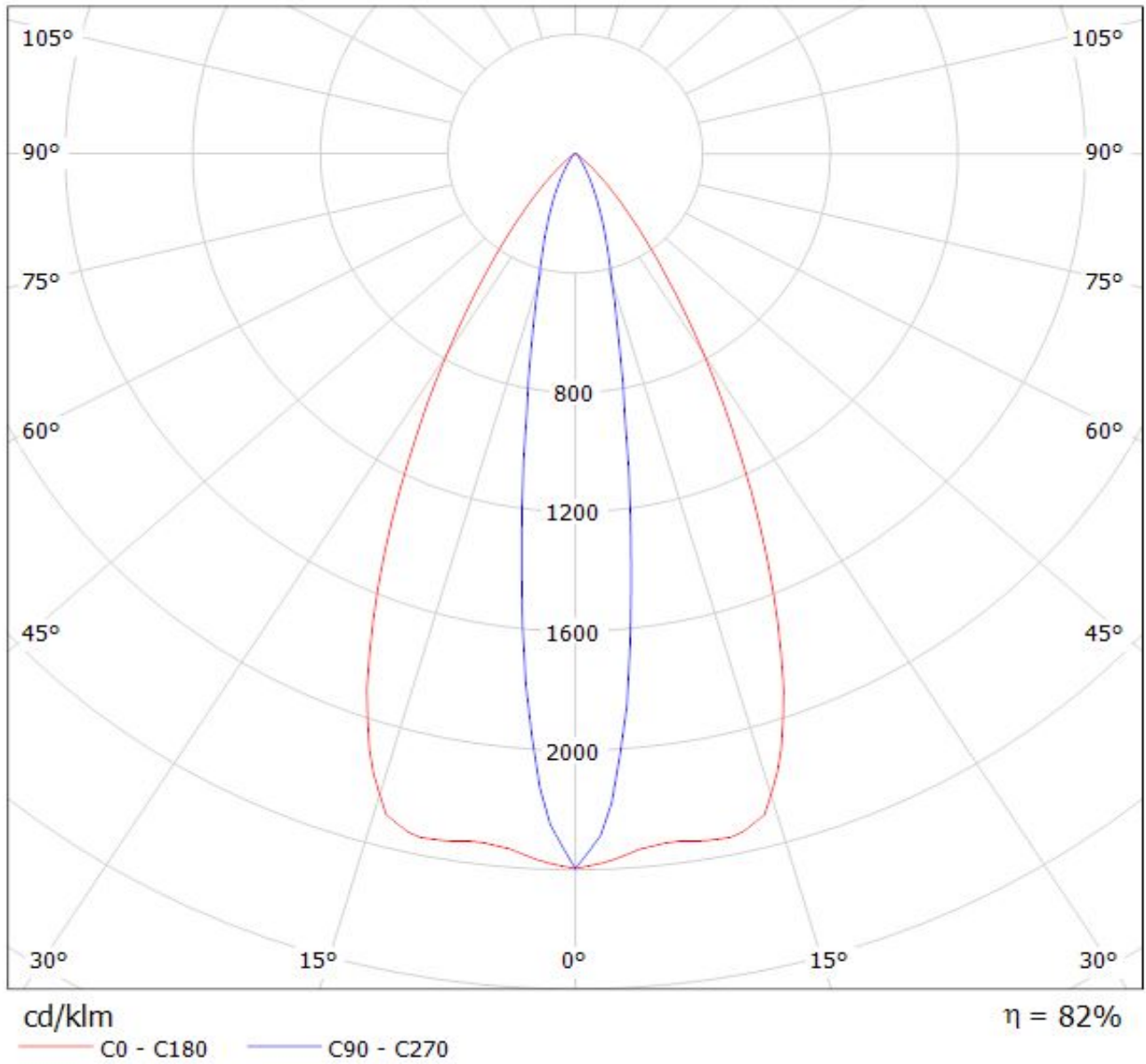
Lamps: 1 x Nichia_NVSW319AE_(sm405D440f2L2R70)_126.795lm@250mA_P=0.73515W_I=0.250A



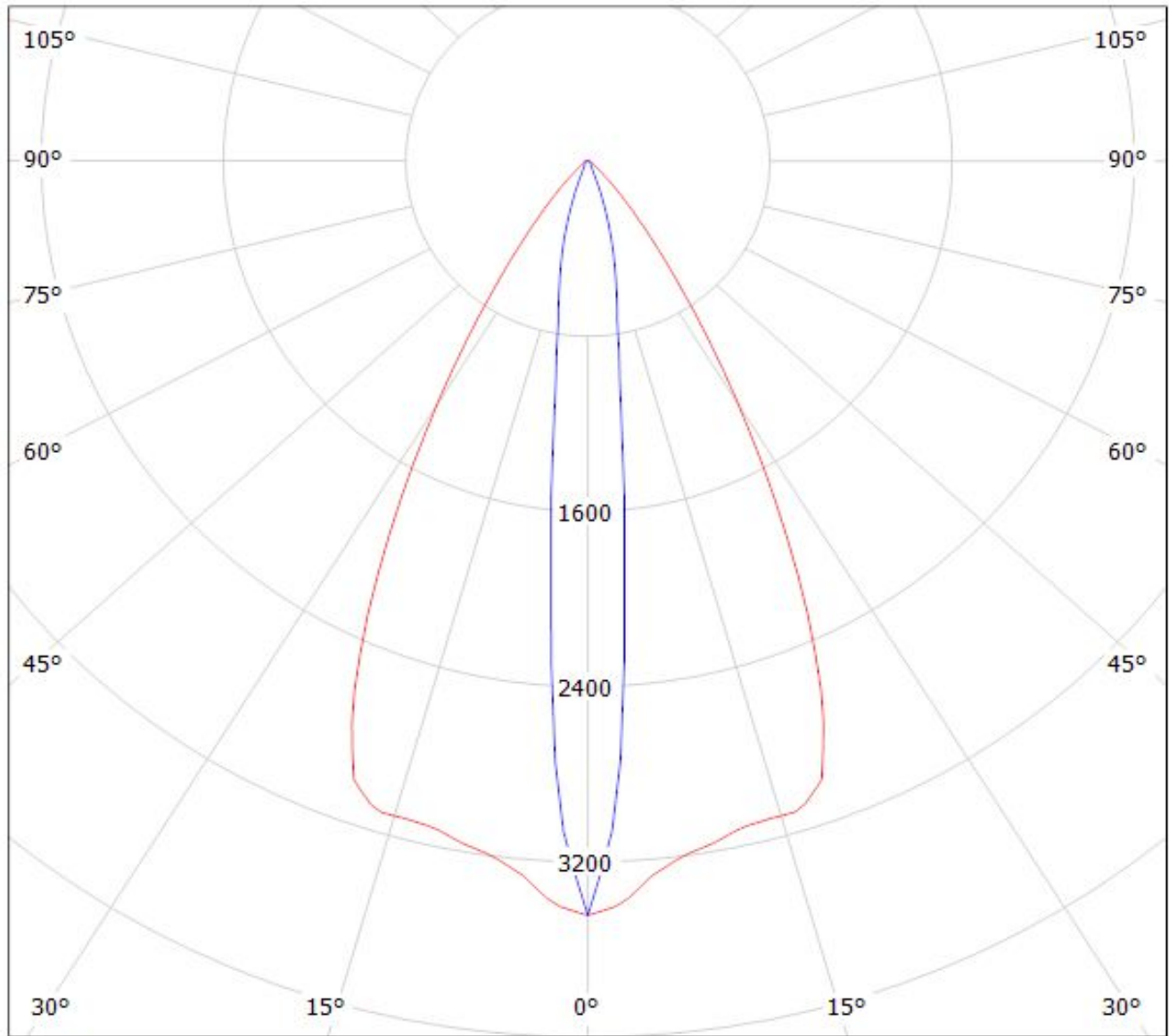
Luminaire: Ledil Oy CA12949_HEIDI-O_(Oslon_Black_Flat)_SIMULATED
Lamps: 1 x Osram Oslon Black Flat (LUV HWQP)



Luminaire: Ledil Oy CA12949_HEIDI-O_(XP-L) Efficiency=81%
Lamps: 1 x Cree XP-L 125lm @ 250mA CCT= P=0.72W I=250mA



Luminaire: LEDIL OY CA12949_HEIDI-O (Luxeon Rebel-ES) Efficiency=82%
Lamps: 1 x Luxeon Rebel ES (90lm @ 250mA)



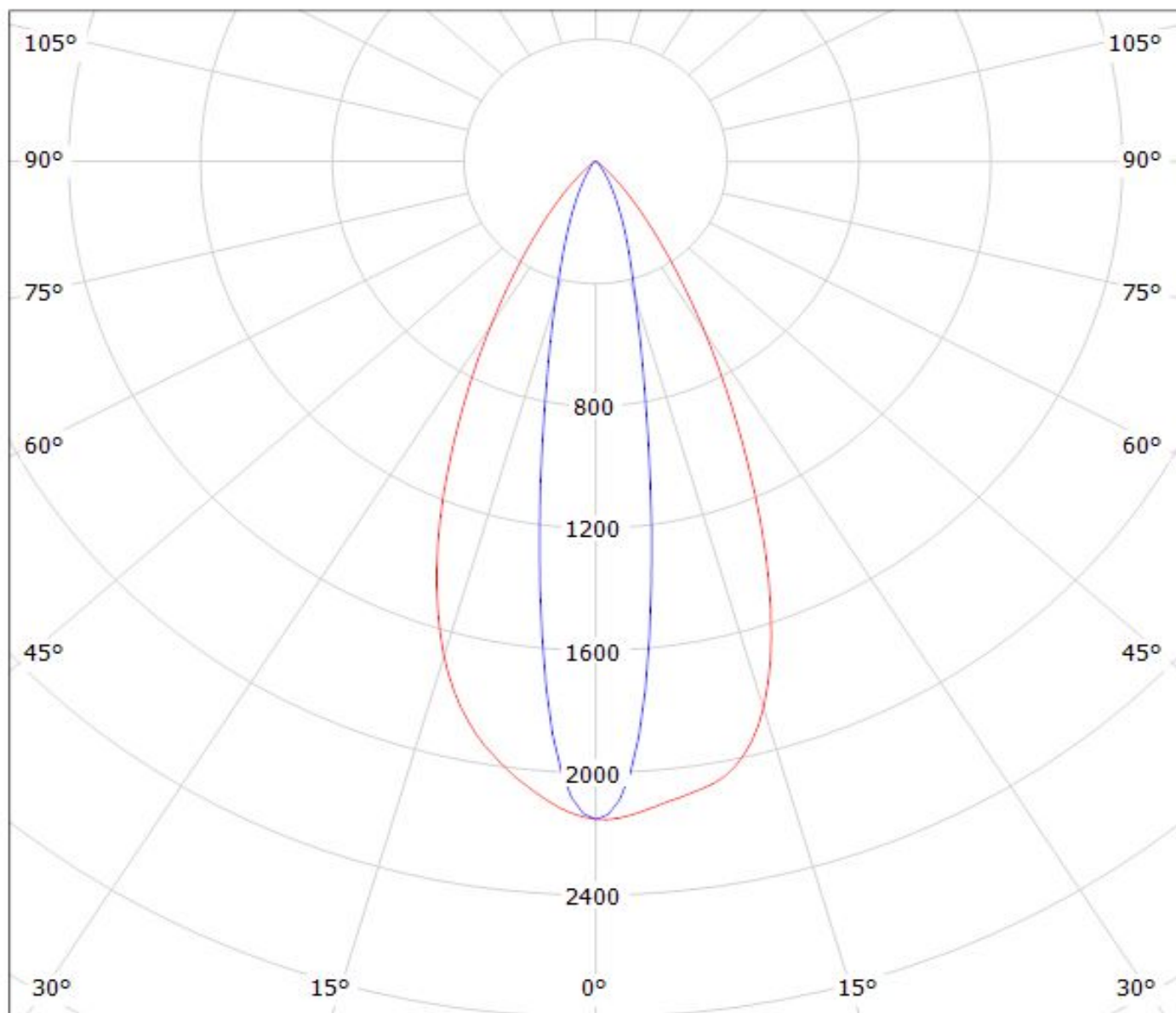
cd/km

$\eta = 81\%$

— C0 - C180 — C90 - C270

Luminaire: LEDiL Oy CA12949_HEIDI-O_(NWSL229AE)

Lamps: 1 x Nichia_NWSL229AE_120.537lm@250mA_P=0.7126W_I=0.250A



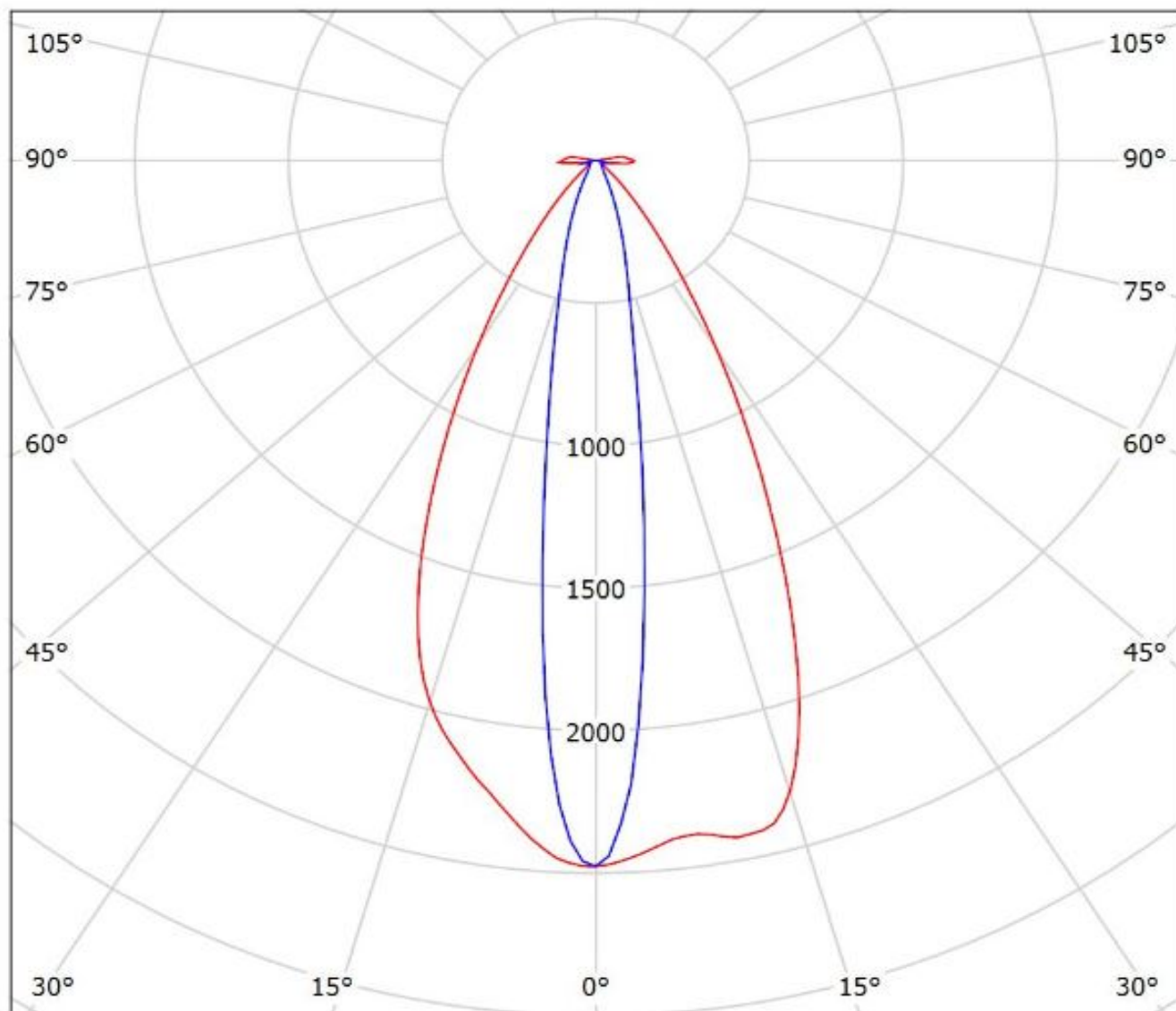
cd/klm

— C0 - C180 — C90 - C270

$\eta = 76\%$

Luminaire: Ledil CA12949_HEIDI-O_(NVSW319AE)

Lamps: 1 x Nichia_NVSW319AE_(sm405D440f2L2R70)_126.795lm@250mA_P=0.73515W_I=0.250A

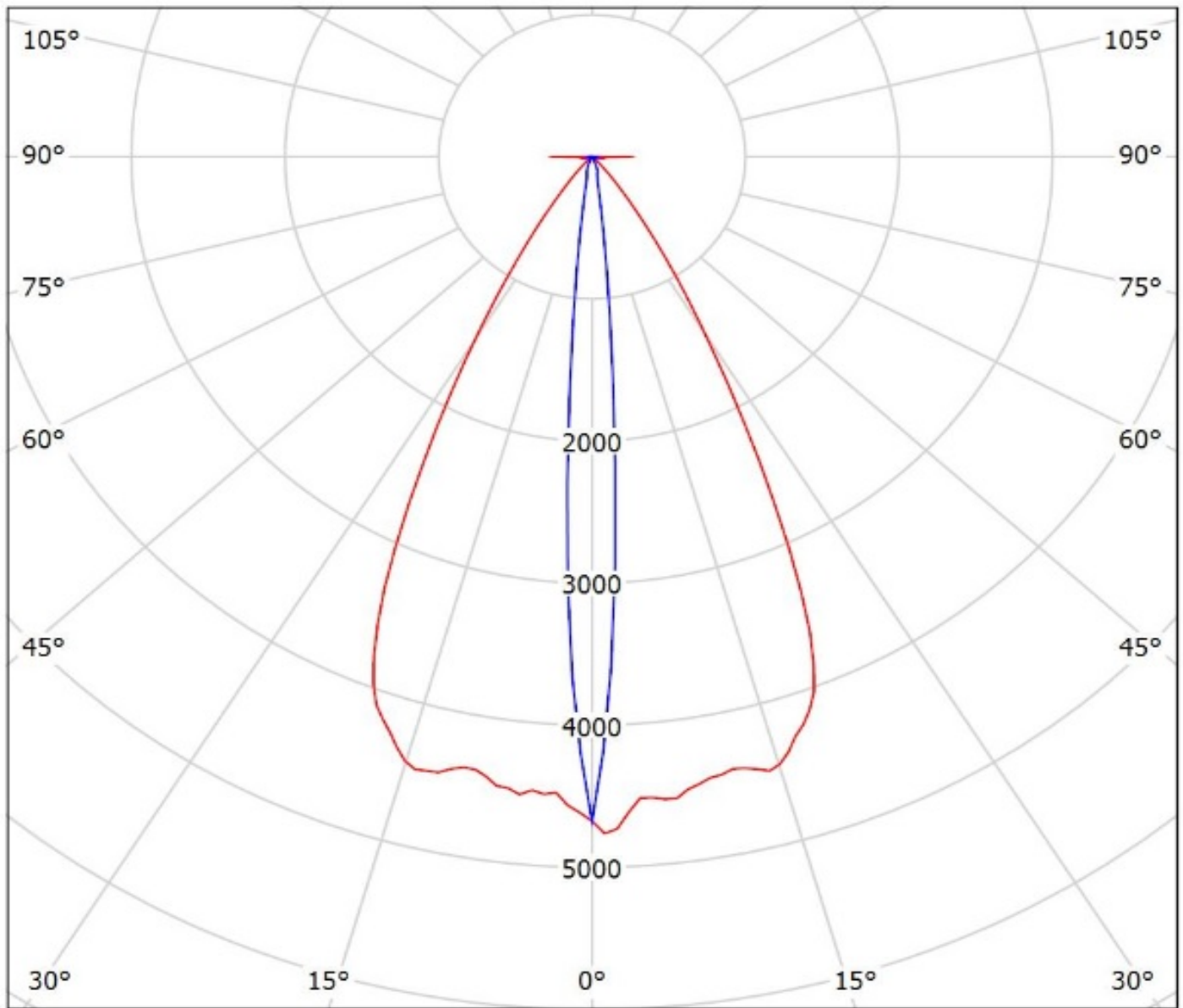


cd/klm

— C0 - C180 — C90 - C270

$\eta = 89\%$

Luminaire: Ledil Oy CA12949_HEIDI-O_(Oslon_Black_Flat)_SIMULATED
Lamps: 1 x Osram Oslon Black Flat (LUV HWQP)



cd/klm
— C0 - C180 — C90 - C270

$\eta = 89\%$

NOTE: The typical divergence will be changed by different color, chip size and chip position tolerance. The typical total divergence is the full angle measured where the luminous intensity is half of the peak value.