

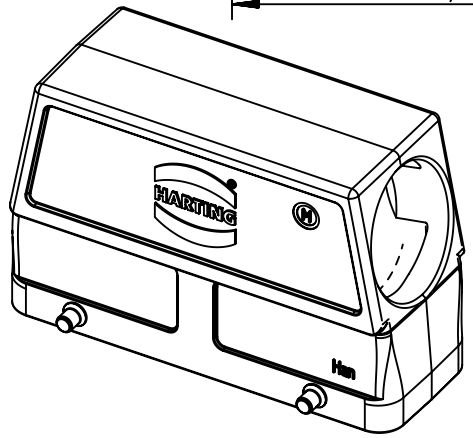
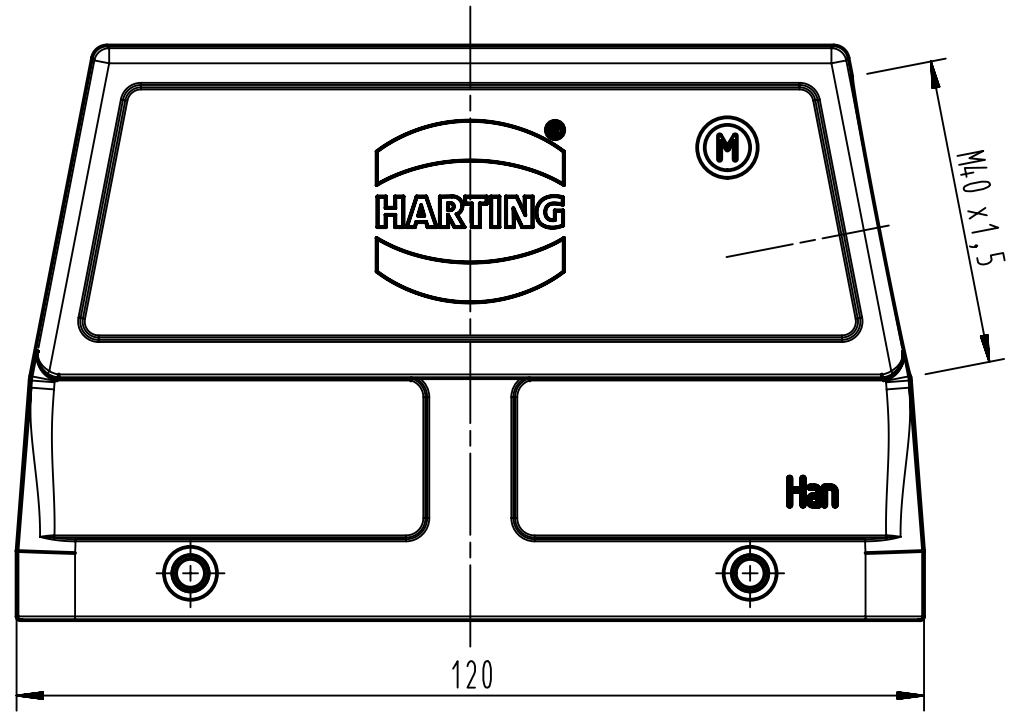
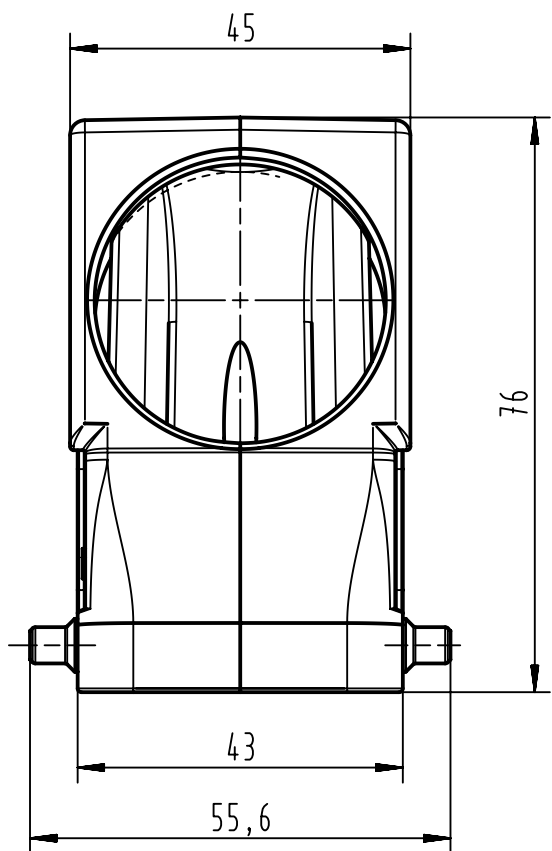
1 2 3 4 5 6

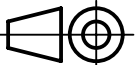

A

B

C

D



| | | | | | | | |
|--|-----------------------------|------------|--------------------------|-----------------------------|--------------------|--|-------------|
|  All Dimensions in mm Original Size DIN A4 | Scale 1:1 | | Free size tol. | | Ref. | | |
| | | | | | Sub. | | |
|  All rights reserved Department EL PD - DE | Created by RULLKOETTER | | Inspected by BERGHORN | Standardisation SCHMIDTM | Date 2013-04-24 | State Final Release | |
| | Title HAN 24EMV/B-gs-M40 | | | | | Doc-Key / ECM-Nr. 100233166/UGD/002/B | |
| HARTING Electric GmbH & Co. KG D-32339 Espelkamp | | Type TB | Number 19 62 824 0528 | | | Rev. B | Page 1/1 |