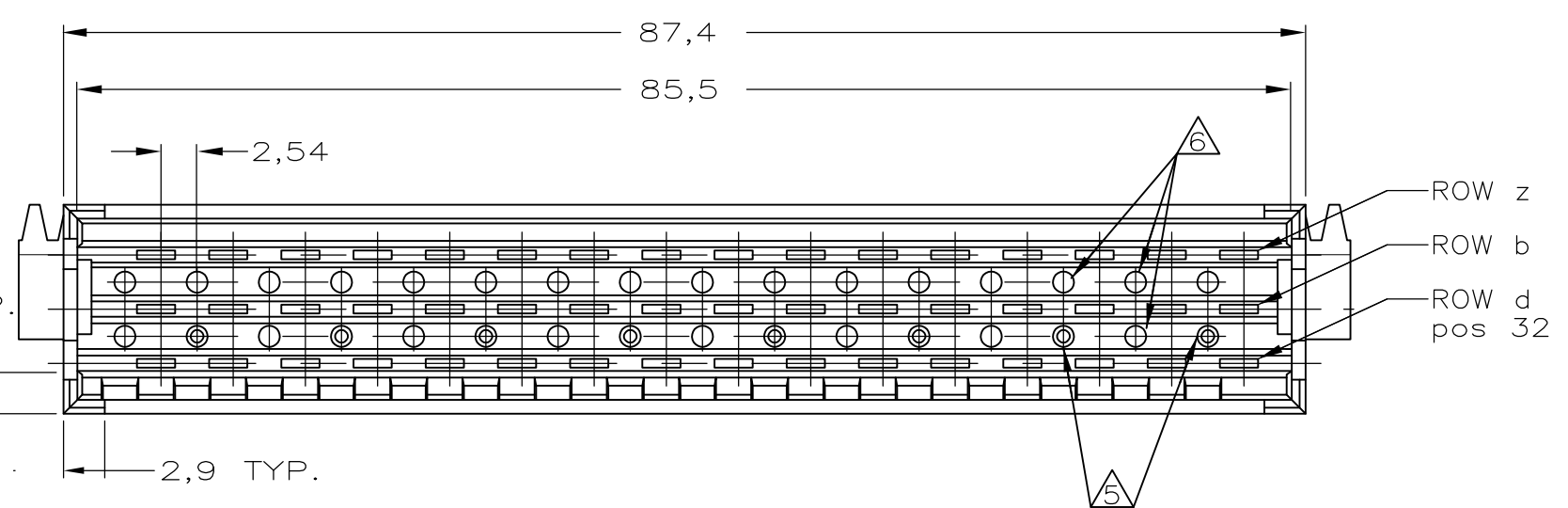
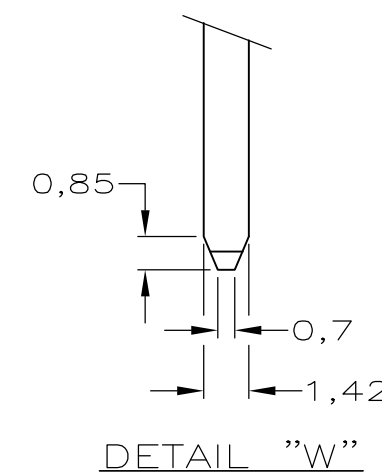
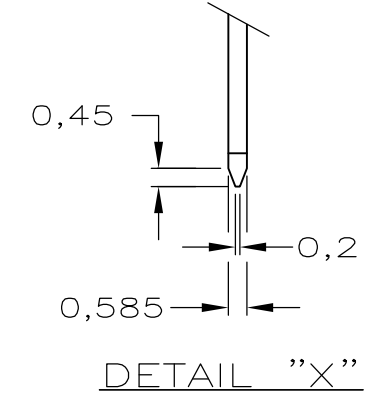
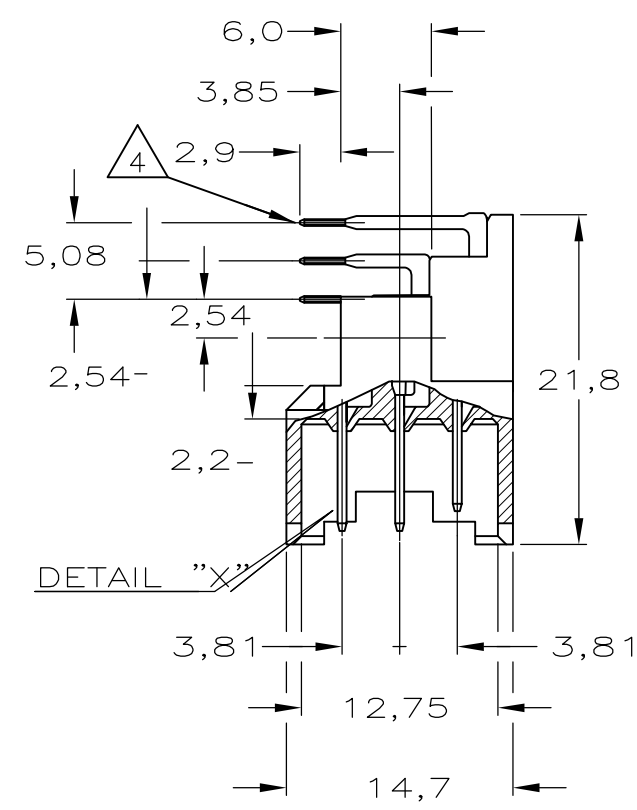
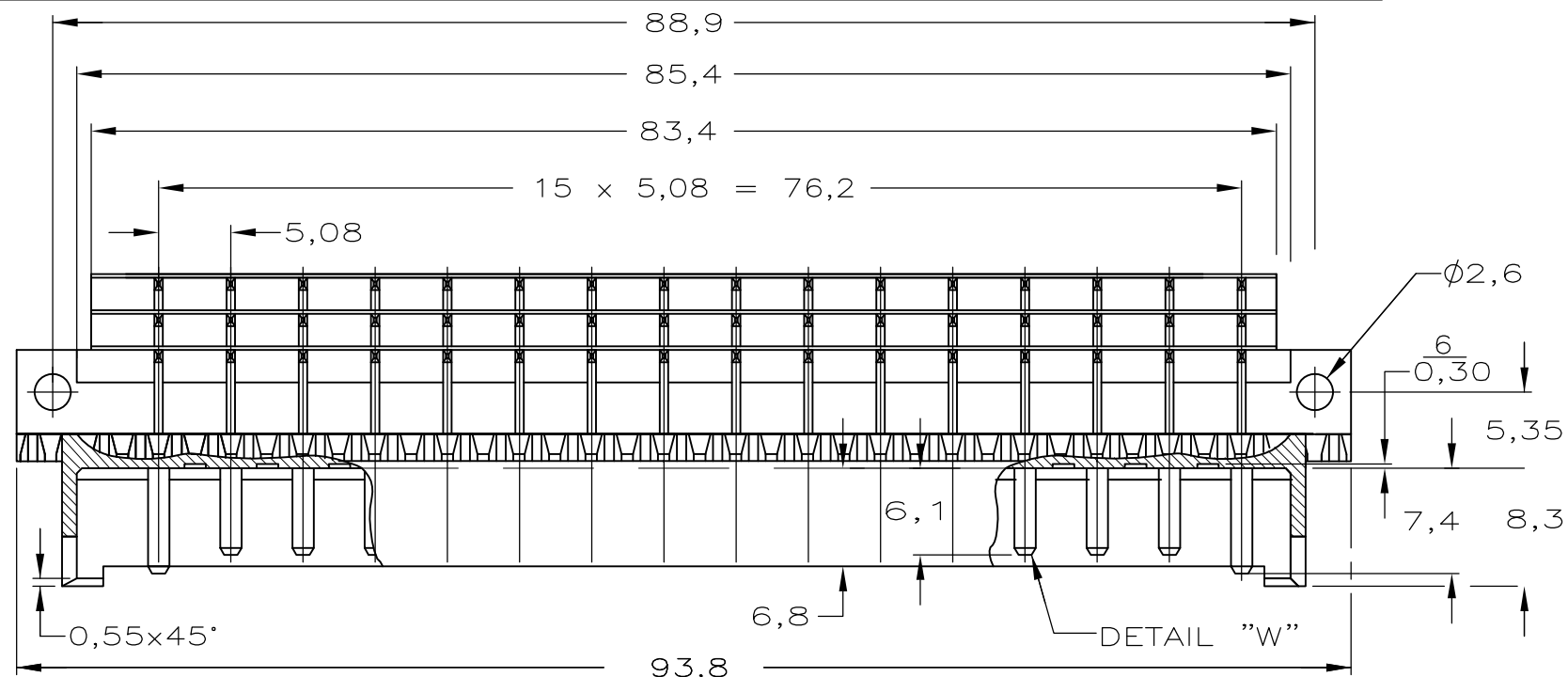


THIS DRAWING IS UNPUBLISHED. RELEASED FOR PUBLICATION
 © COPYRIGHT - By - ALL RIGHTS RESERVED.

REVISIONS					
P	LTR	DESCRIPTION	DATE	DWN	APVD
B		REVISED PER ECO-16-015472	02MAR2017	SY	SY



POS. NO	2	4	6	8	10	12	14	16	18	20	22	24	26	28	30	32
F 48 ROW	N	X	X	X	X	X	X	X	X	X	X	X	X	X	X	X
	D	X	X	X	X	X	X	X	X	X	X	X	X	X	X	X
	U	X	X	X	X	X	X	X	X	X	X	X	X	X	X	X

AN ASTERISK „X” DENOTES A STANDARD CONTACT.
 AN ASTERISK „⊗” DENOTES A FMLB CONTACT.

NOTES

- 1 MATERIAL:
 -HOUSING: THERMOPLASTIC POLYESTER, COLOR GREY.
 -CONTACTS: BRASS.
- 2 PLATING CONTACT: 1,25 μm Au OVER 1,25 μm Ni IN CONTACT AREA.
 Sn/Pb over 1,25 μm Ni ON SOLDER POST.
- 3 PLATING CONTACT: 0,8 μm Au OVER 1,25 μm Ni IN CONTACT AREA.
- 4 SOLDER POSTS SUITABLE FOR P.C.B. HOLES
 0,8±0,05 OR 1,0±0,1 DIA.
- 5 8 HOLES SUITABLE FOR KEYING PIN PN. 215916-1.
- 6 KEYING HOLES TO BE DRILLED BY CUSTOMER.

OBSOLETE	SEE NOTE 3	SEE NOTE 1	0-1377389-4
	SEE NOTE 2		0-1377389-1
	FINISH	MATERIAL	PART NUMBER

THIS DRAWING IS A CONTROLLED DOCUMENT.		DWN RvHEUVEN 03-09-00	STE TE Connectivity				
		CHK R. FIJTEN 03-09-00					
		APVD R. FIJTEN 03-09-00	NAME 48 POS. DIN 41612 F MALE				
		PRODUCT SPEC	90				
		APPLICATION SPEC	-				
		WEIGHT 0.000000	SIZE A3	CAGE CODE 00779	DRAWING NO C-1377389	RESTRICTED TO	
MATERIAL -		FINISH -	CUSTOMER DRAWING		SCALE -	SHEET 1 OF 1	REV B