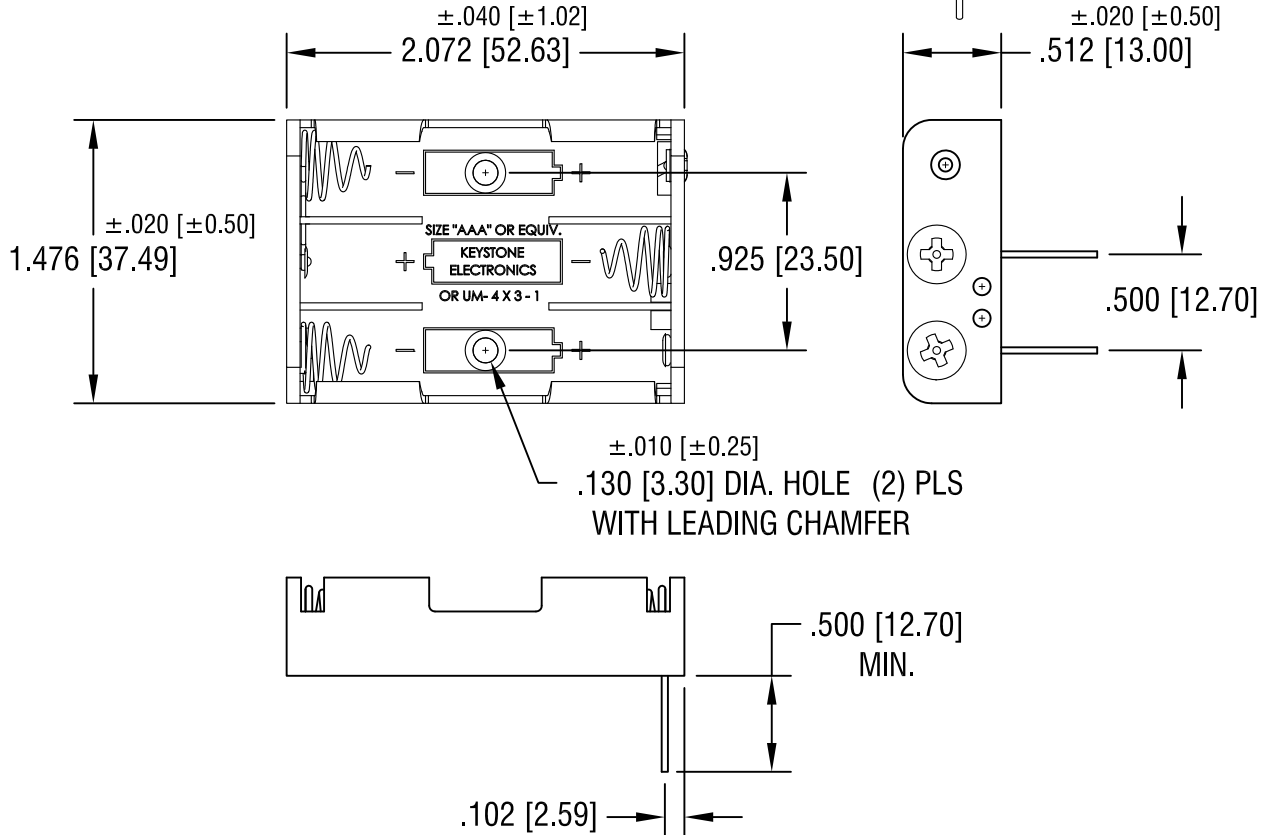
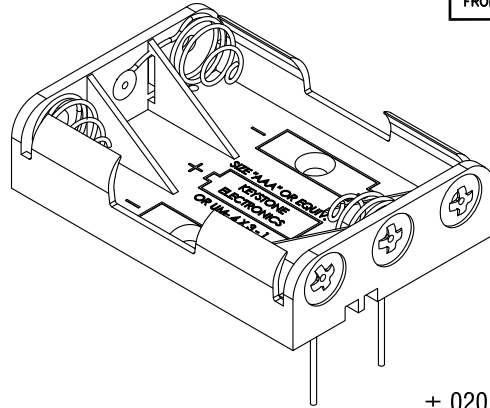
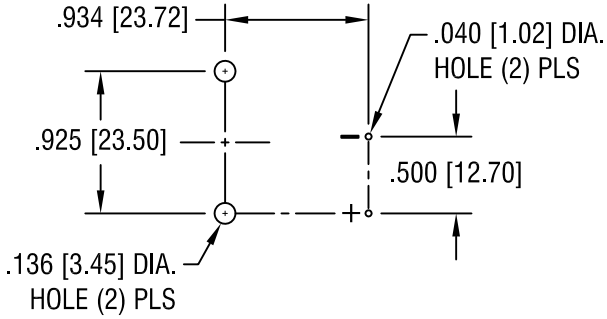


THIS DOCUMENT IS THE PROPERTY OF  
KEYSTONE ELECTRONICS CORP. AND  
SHALL NOT BE REPRODUCED, DISTRIBUTED  
OR USED AS A BASIS FOR MANUFACTURE  
WITHOUT PRIOR WRITTEN PERMISSION  
FROM KEYSTONE ELECTRONICS CORP.

**MOUNTING DETAIL**



**NOTE:**

- 1. HOLDER: MAT'L: POLYPROPYLENE
- SPRING: MAT'L: MUSIC WIRE, .024 [0.60] DIA.
- PC TERMINALS: MAT'L: BRASS, .032 [0.81] DIA.

**KEYSTONE ELECTRONICS CORP.**

ASTORIA, N.Y. 11105-2017

PART NAME				PC BATTERY HOLDER (3) 'AAA'									
MATERIAL								AS NOTED					
FINISH				NICKEL PLATE		DRN BY		BOONE		DATE		6.9.99	
						APP'D		LN		SCALE		1X	
TOLERANCES				INCH [MM]		CODE		DWG NO.					
DECIMAL				$\pm .015 [\pm 0.38]$		C/M							
ANGULAR				$\pm 1^\circ$		UNLESS OTHERWISE SPECIFIED							
								<b>2479</b>					

DATE	DESCRIPTION	REV.
6.12.09	CHANGE AS PER ECN 09-068	D
9.13.08	CHANGE AS PER ECN 08-153	C
12.17.07	CHANGE AS PER ECN 07-086	B
11.15.99	CHANGE AS PER ECN 99-088	A