

QT-Brightek Chip LED Series

SMD 1210 Bi-Color LED

Part No.: QBLP650-S2YG

Table of Contents:

Introduction	3
Electrical / Optical Characteristic (Ta=25 °C)	4
Absolute Maximum Rating	4
Characteristic Curves.....	5
Solder Profile & Footprint:.....	7
Packing	8
Labeling	9
Ordering Information	10
Revision History	11
Disclaimer	11

Introduction

Feature:

- Water clear lens
- Package in tape and reel
- Ultra bright 1210 LED package
- GaAsP technology for Red
- GaP technology for Yellow Green

Description:

These ultra bright 1210 LEDs have a height profile of 1.1mm. Combination of high brightness output and small footprint, these LEDs are ideal for keypad backlighting and status indication.

Application:

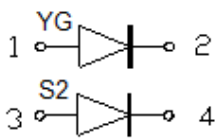
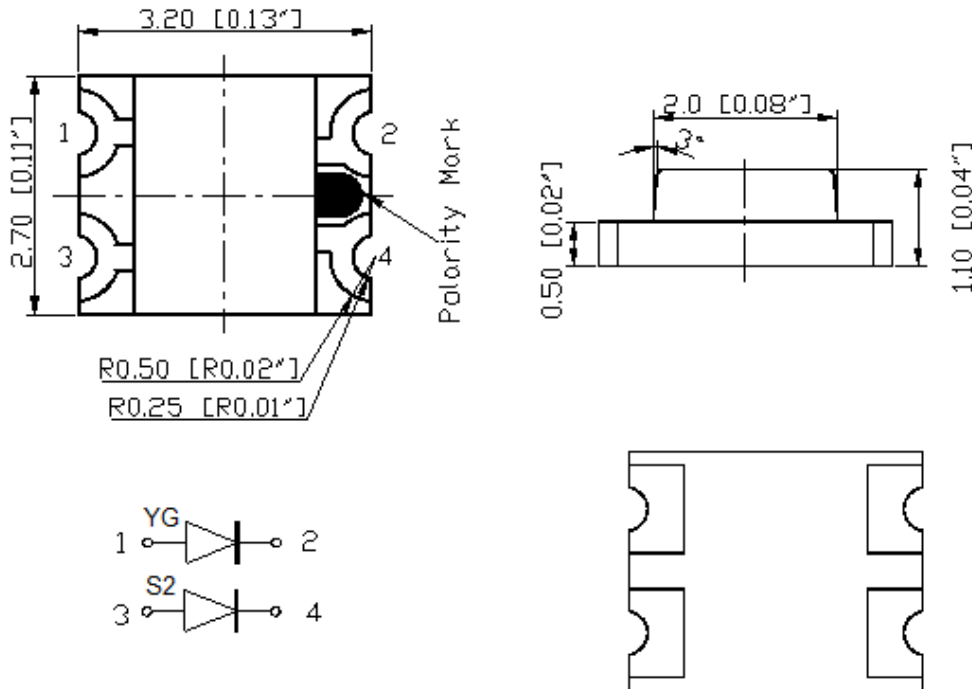
- Status indication
- Back lighting application

Certification & Compliance:

- TS16949
- ISO9001
- RoHS Compliant



Dimension:



Units: mm / tolerance = +/-0.1mm

Electrical / Optical Characteristic (Ta=25 °C)

Product	Color	I _F (mA)	V _F (V)		λ _D (nm)			I _V (mcd)	
			Typ.	Max.	Min.	Typ.	Max.	Min.	Typ.
QBLP650-S2YG	Red	20	2.0	2.5	615	620	630	5.0	12
	Yellow Green	20	2.0	2.5	565	570	576	5.0	15

Absolute Maximum Rating

Material	P _d (mW)	I _F (mA)	I _{FP} (mA)*	V _R (V)	T _{OP} (°C)	T _{ST} (°C)	T _{SO L} (°C)**
GaAsP	75	30	125	5	-40 ~ +80	-40 ~ +85	260
GaP	75	30	125	5	-40 ~ +80	-40 ~ +85	260

*Duty 1/8 @ 1kHz

**IR Reflow for no more than 10 sec @ 260 °C

Forward Voltage V_F @ I_F=20mA

Bin	Min.	Max.	Unit
□	1.7	2.5	V

Luminous Intensity I_V @ I_F=20mA

Bin	Min.	Max.	Unit
8	5.0	8.0	mcd
9	8.0	12.5	
A	12.5	16	
B	16	20	
C	20	25	

Dominant Wavelength λ_D for Red @ I_F=20mA

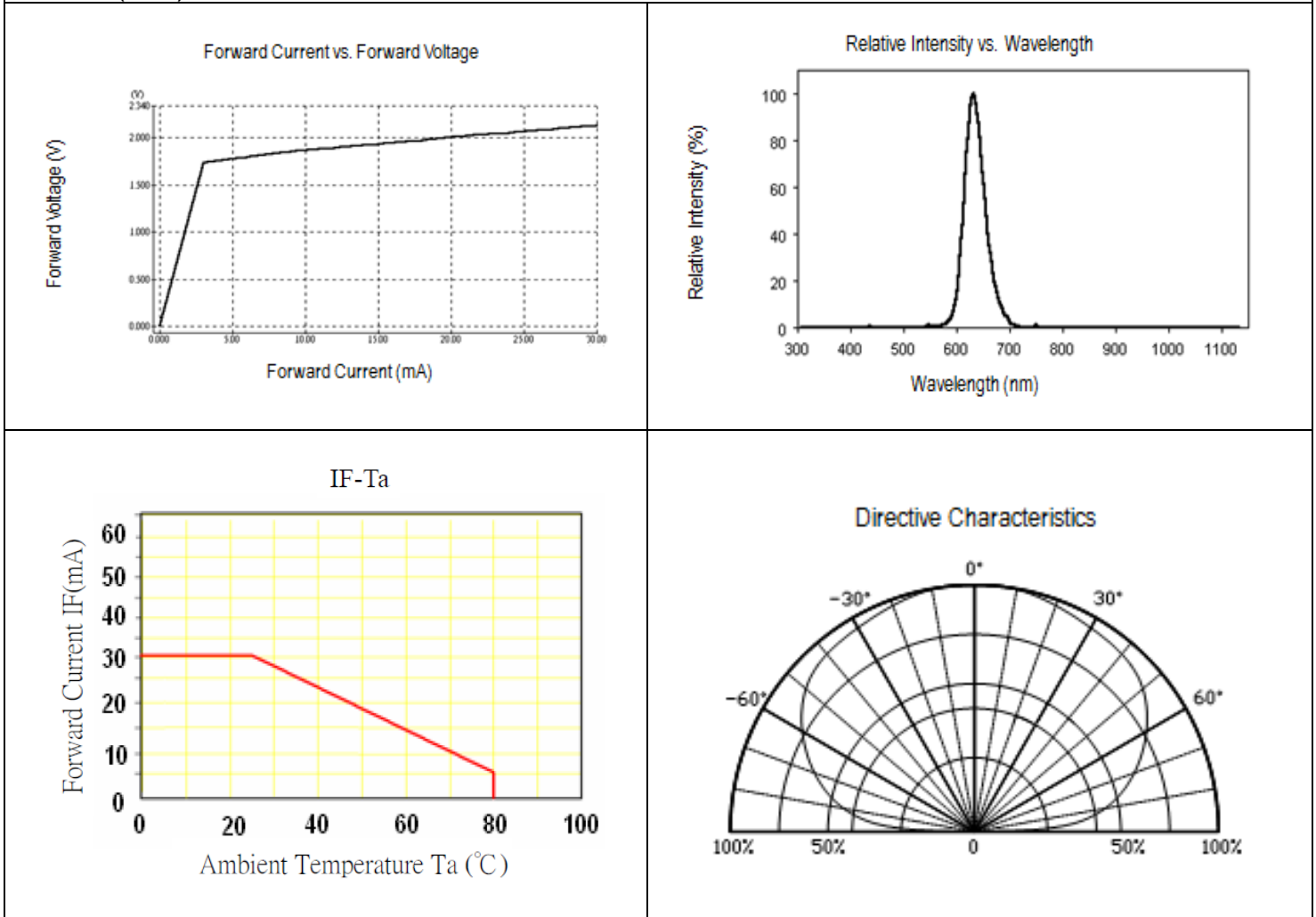
Bin	Min.	Max.	Unit
s	615	620	nm
t	620	625	
u	625	630	

Dominant Wavelength λ_D for Yellow Green @ I_F=20mA

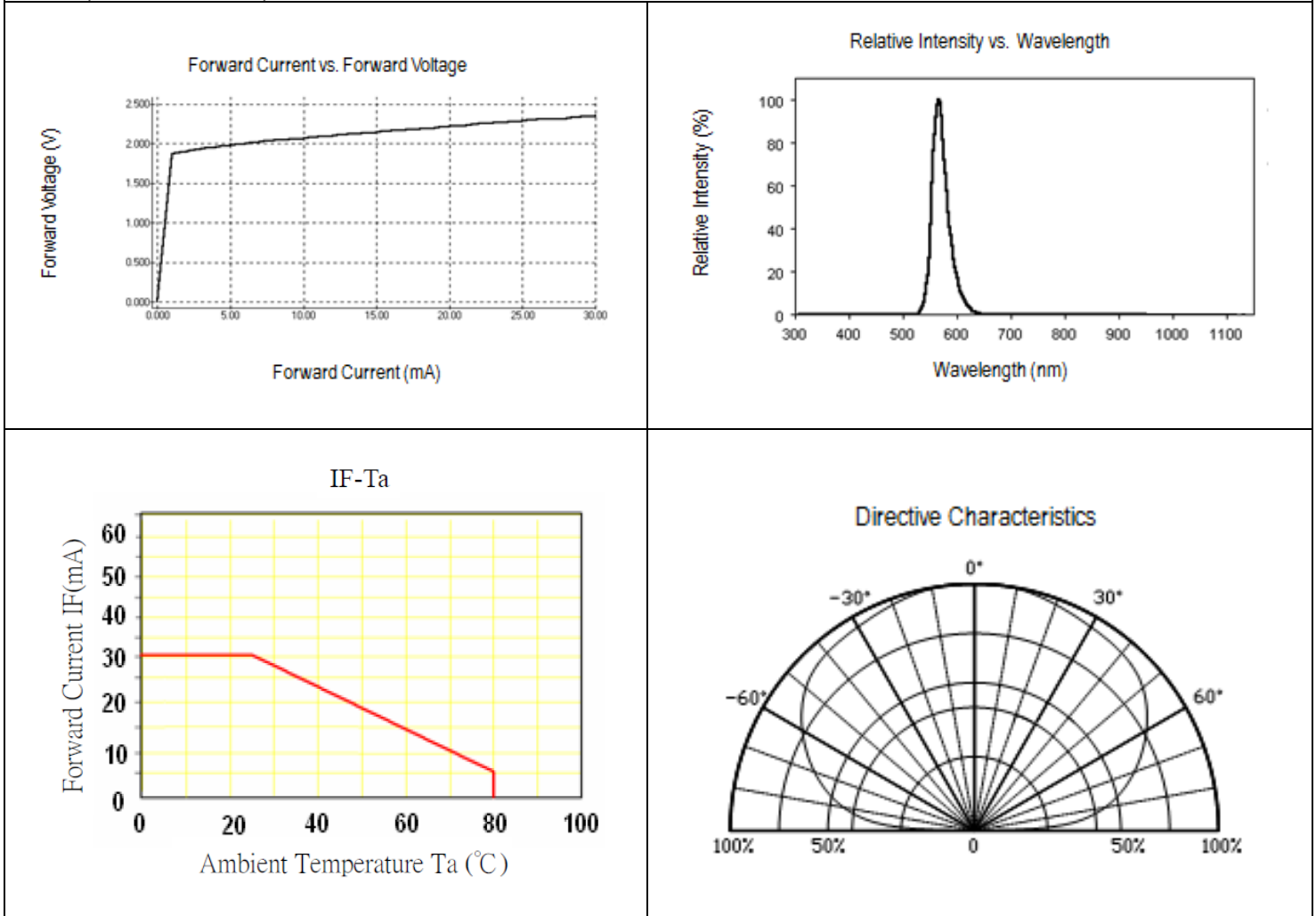
Bin	Min.	Max.	Unit
h	565	568	nm
i	568	572	
j	572	576	

Characteristic Curves

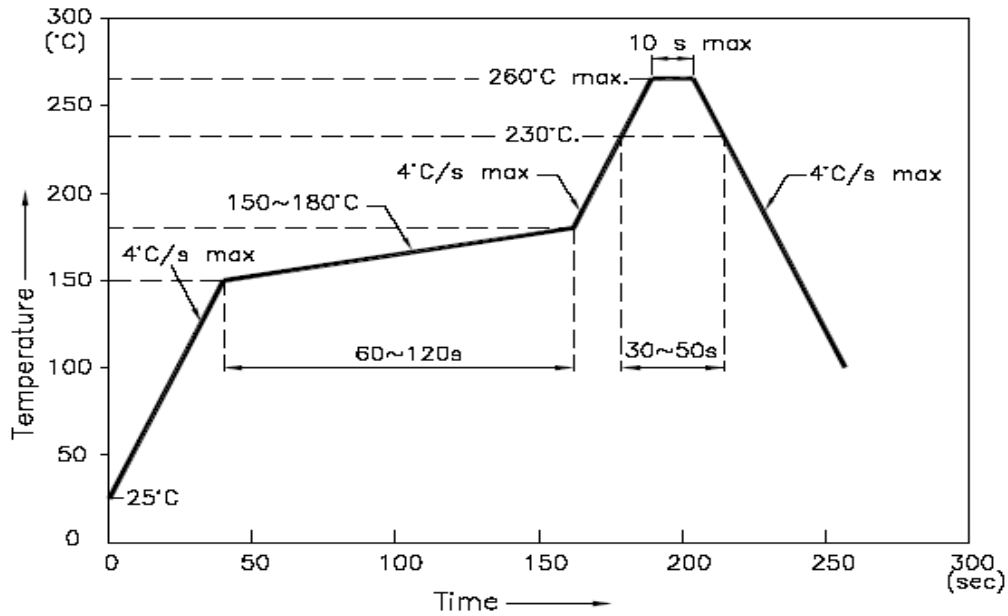
GaAsP (Red)



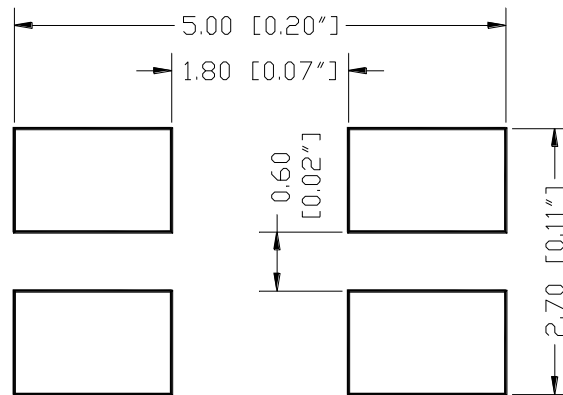
GaP (Yellow Green)



Solder Profile & Footprint:



Recommended Pad Layout



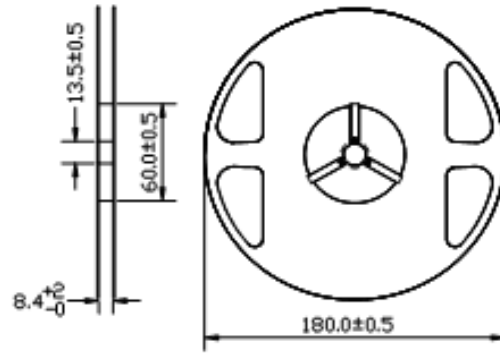
Units: mm

Tolerance: ± 0.1mm

Product: QBLP650-S2YG	Date: September 16, 2014	Page 7 of 11
	Version# 1.0	

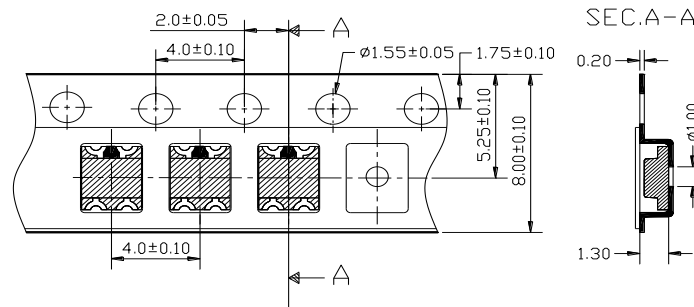
Packing

Reel Dimension:



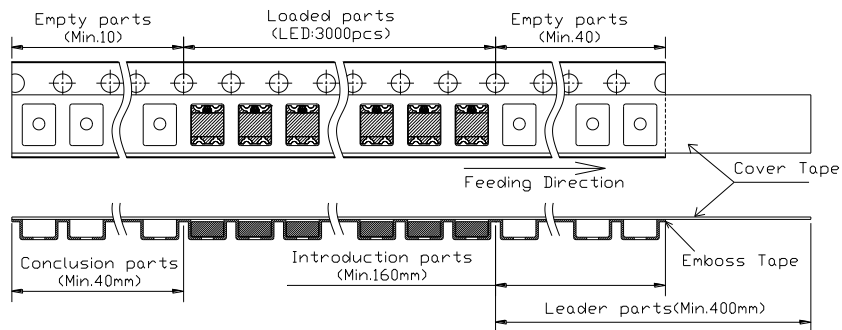
Unit: mm

Tape Dimension:



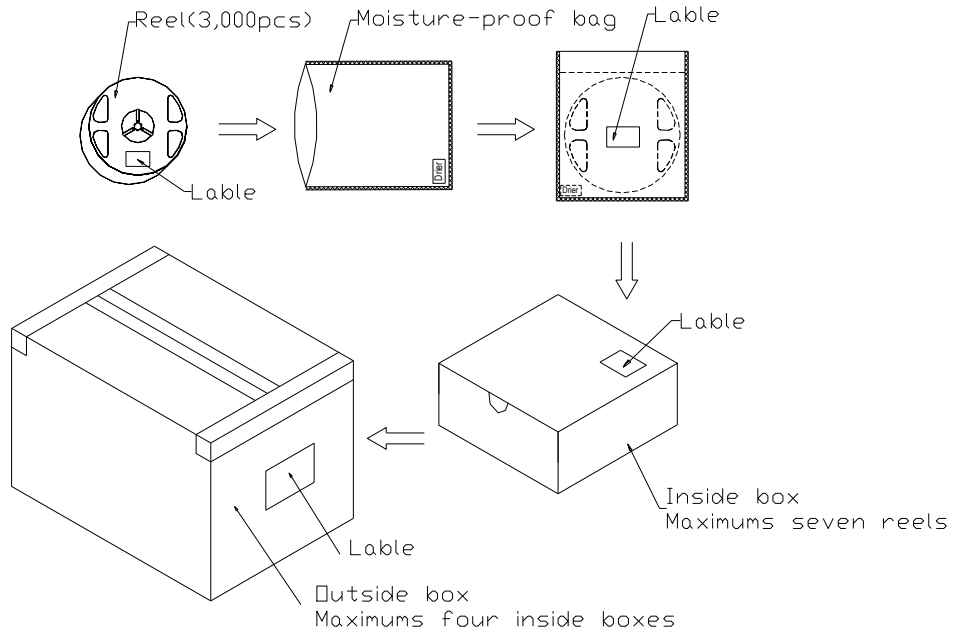
Unit: mm

Arrangement of Tape:



Product: QBLP650-S2YG	Date: September 16, 2014	Page 8 of 11
	Version# 1.0	

Packing Specifications:



Labeling



Part No: _____

Customer P/N: _____

Item: _____

Q'ty: _____

Vf: _____

Iv: _____

WI: _____

Date: _____

Made in China

Product: QBLP650-S2YG	Date: September 16, 2014	Page 9 of 11
	Version# 1.0	

Ordering Information

Part #	Orderable Part #	Spec Range	Quantity per reel
QBLP650-S2YG	QBLP650-S2YG	Red: $I_v=12\text{mcd typ. @ } I_F=20\text{mA}$, $\lambda_D=615\text{nm to } 630\text{nm}$	3,000 units
		Yellow Green: $I_v=15\text{mcd typ. @ } I_F=20\text{mA}$, $\lambda_D=565\text{nm to } 576\text{nm}$	

Revision History

Description:	Revision #	Revision Date
New Release of QBLP650-S2YG	V1.0	09/16/2014

Disclaimer

QT-BRIGHTTEK reserves the right to make changes without further notice to any products herein to improve reliability, function or design. QT-BRIGHTTEK does not assume any liability arising out of the application or use of any product or circuit described herein; neither does it convey any license under its patent rights, nor the rights of others.

Life Support Policy

QT-BRIGHTTEK's products are not authorized for use as critical components in life support devices or systems without the express written approval of QT-BRIGHTTEK. As used herein:

1. Life support devices or systems are devices or systems which, (a) are intended for surgical implant into the body, or (b) support or sustain life, and (c) whose failure to perform when properly used in accordance with instructions for use provided in the labeling, can be reasonably expected to result in a significant injury of the user.
2. A critical component in any component of a life support device or system whose failure to perform can be reasonably expected to cause the failure of the life support device or system, or to affect its safety or effectiveness.

Product: QBLP650-S2YG	Date: September 16, 2014	Page 11 of 11
	Version# 1.0	