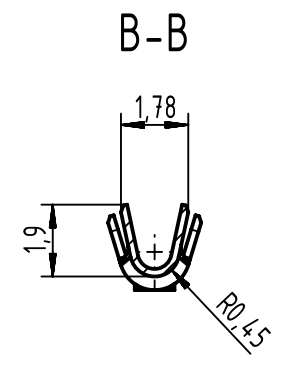
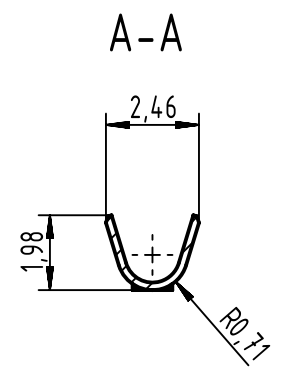
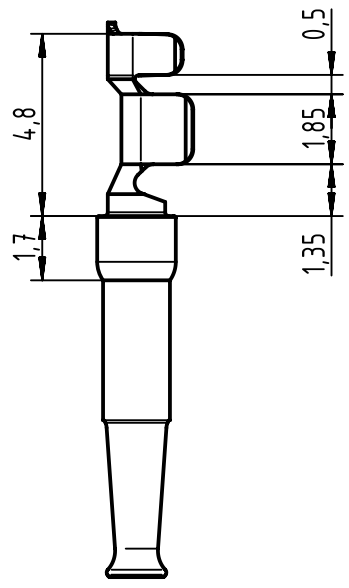
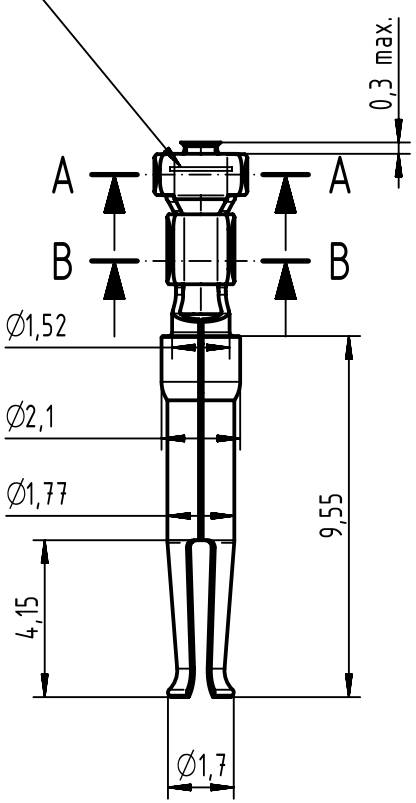


marking 1 stroke for AWG 20-24



Base material: bronze
 Plating: sliding contact selective gold plated over nickel
 nickel plated crimp contact area
 Number of contacts per bag: 500



	All rights reserved Department EC PD - FR	All Dimensions in mm Original Size DIN A4		Scale 5:1	Free size tol.	Ref.	
		Created by HUCBOURG	Inspected by BAGDIKIAN	Standardisation HOFFMANN	Date 2013-10-18	State Final Release	
HARTING Electronics GmbH D-32339 Espelkamp		Title D-Sub AWG 20-24 crimp female contact bag packaging				Doc-Key / ECM-Nr. 100552269/UGD/002/A 500000067394	
		Type TB	Number 0967000827X			Rev. A	Page 1/1

09670008278	PL2
09670008277	PL3
09670008276	PL1
Part number	Performance level