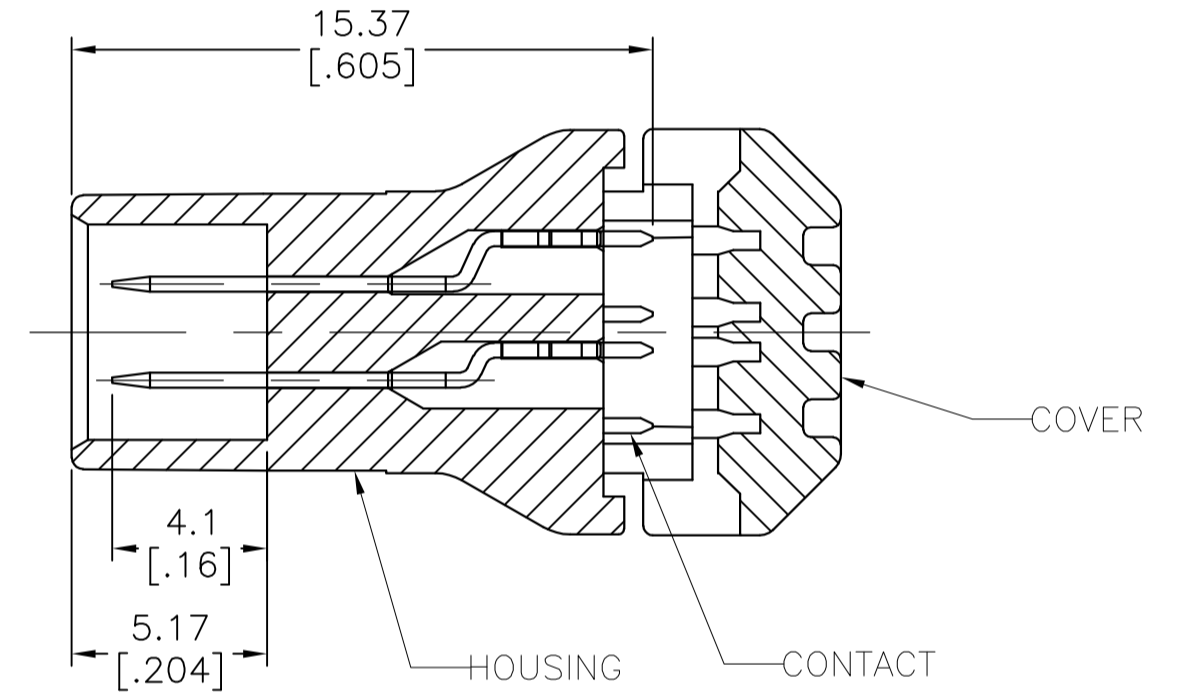
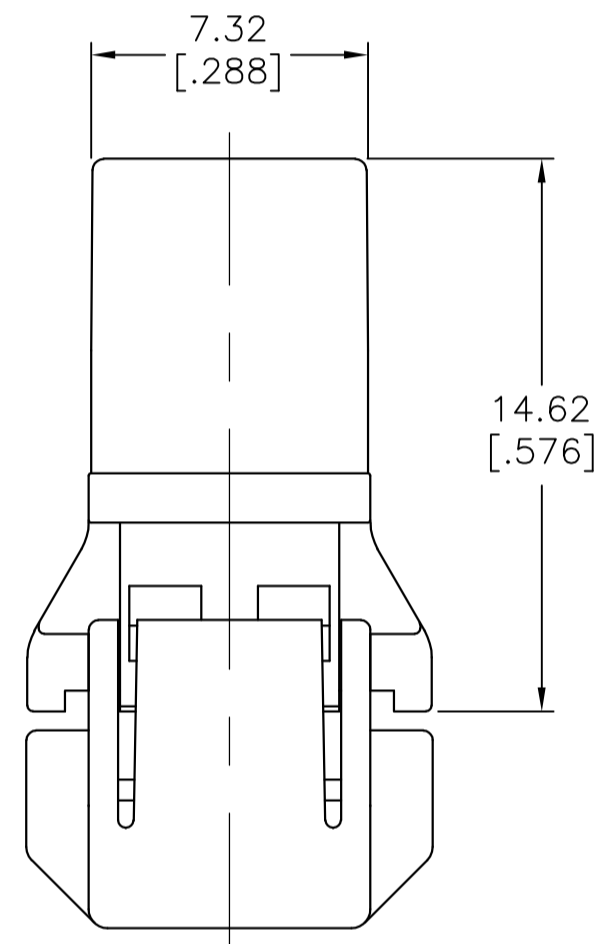
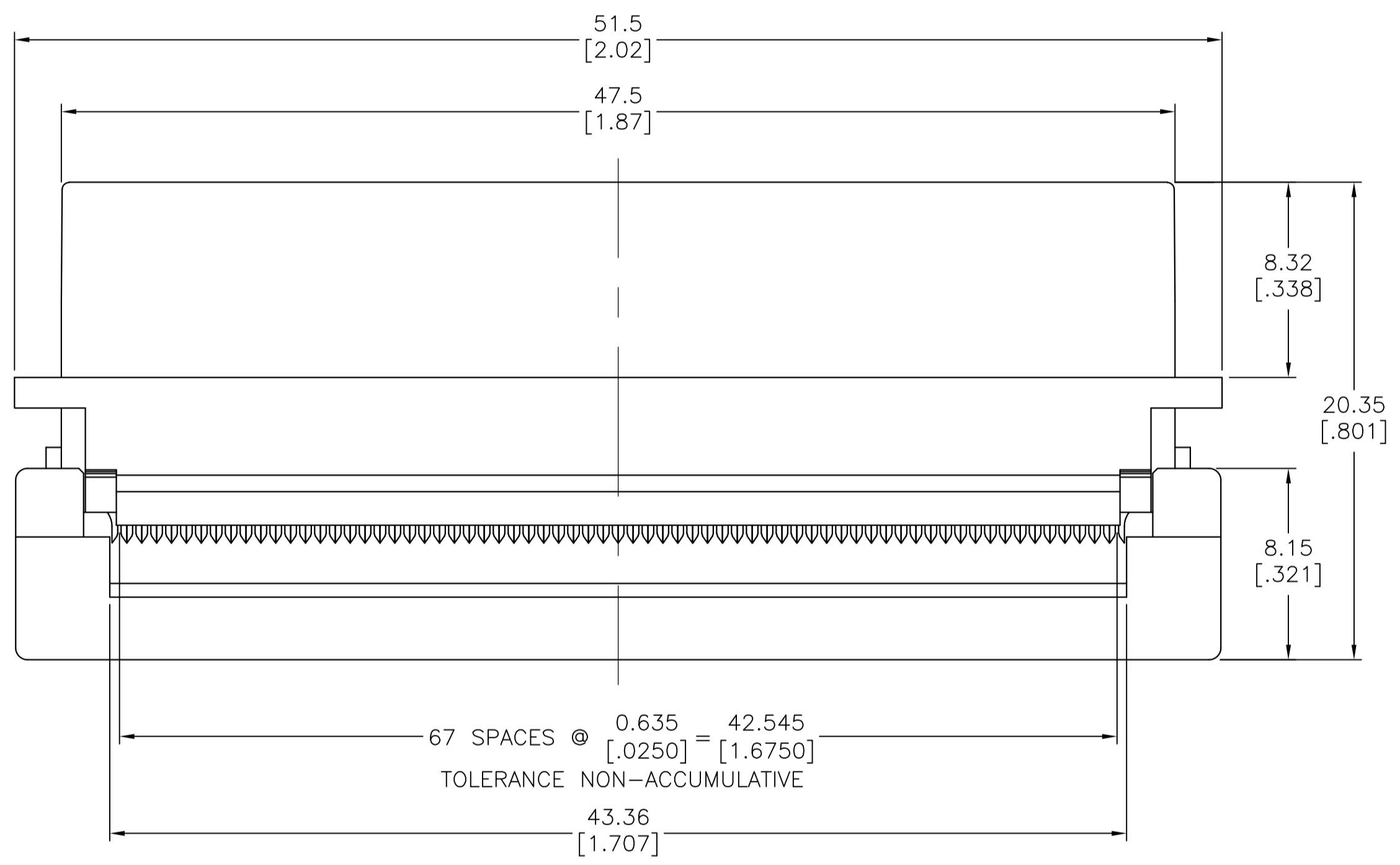
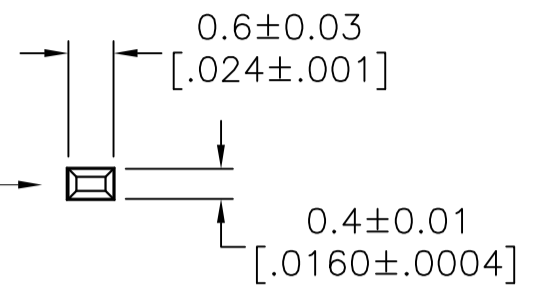
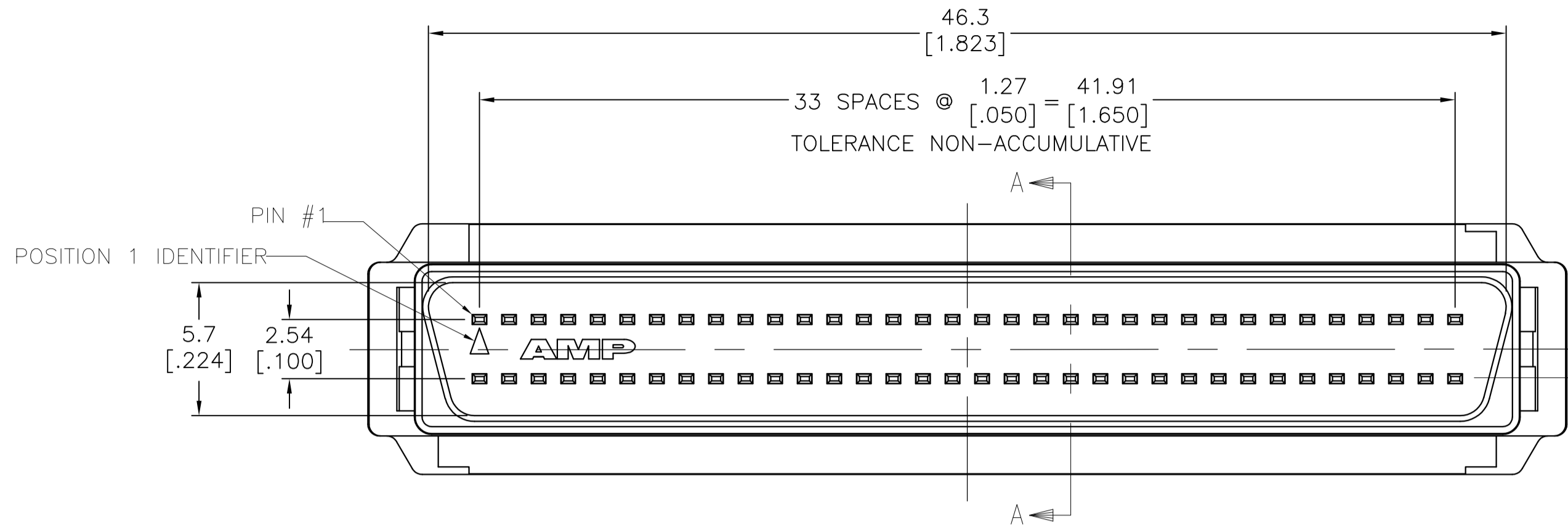
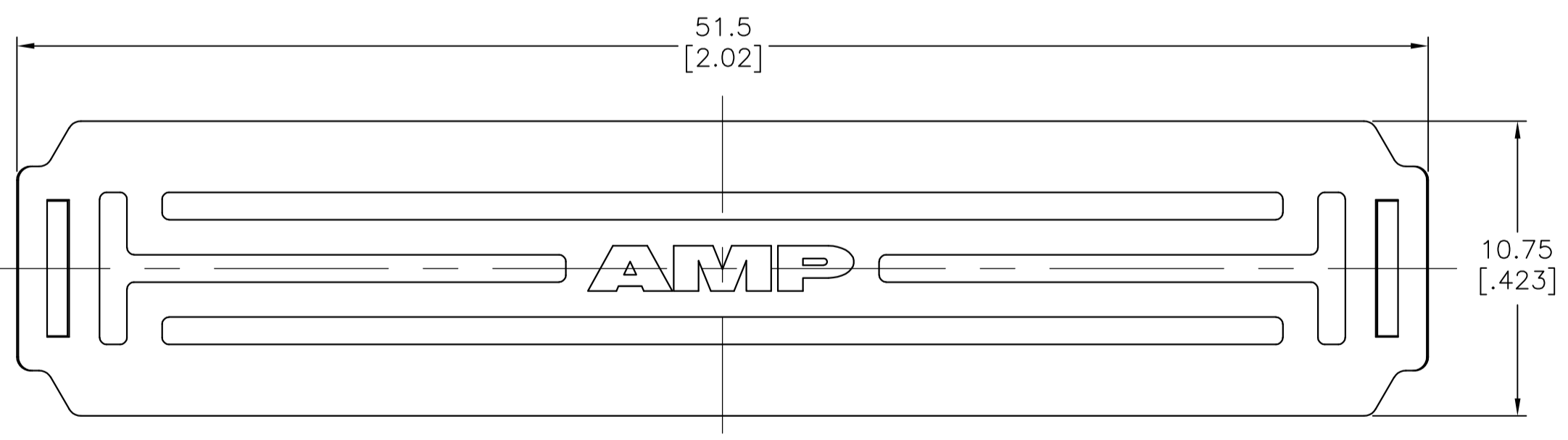


| LOC |    | DIST                      |         | REVISIONS |     |      |  |
|-----|----|---------------------------|---------|-----------|-----|------|--|
| GP  | 00 | REV                       | DATE    | BY        | CHK | APPV |  |
| B1  |    | REVISED PER ECO-11-004835 | 11MAR11 | RK        | HMR |      |  |



SECTION A-A



- △ HOUSING & COVER: PBT 30% GLASS FILLED, UL 94V-0 RATED, COLOR BLACK. CONTACTS: PHOSPHOR BRONZE.
- △ CONTACTS: 0.00076[.000030] MIN GOLD ON MATING END, 0.00127[.000050] MIN TIN ON TERMINATION END, ALL OVER 0.00127[.000050] MIN NICKEL ON ENTIRE CONTACT.
- △ CONTACTS: 0.00038[.000015] MIN GOLD ON MATING END, 0.00127[.000050] MIN TIN ON TERMINATION END, ALL OVER 0.00127[.000050] MIN NICKEL ON ENTIRE CONTACT.
- 4. RECOMMENDED WIRE: 30 AWG OR 31 AWG, SOLID OR STRANDED, FLAT RIBBON CABLE, PVC INSULATION.
- 5. DIMENSIONS SHOWN ARE FOR 68 POSITION ASSEMBLY.

|          |           |                |           |             |
|----------|-----------|----------------|-----------|-------------|
| OBSOLETE | TUBE      | △              | 68        | 1-5786090-7 |
|          | TUBE      | △              | 68        | 5786090-7   |
|          | PACKAGING | CONTACT FINISH | NO OF POS | PART NUMBER |

|  |  |  |  |                    |  |                      |  |      |  |                               |  |
|--|--|--|--|--------------------|--|----------------------|--|------|--|-------------------------------|--|
| THIS DRAWING IS A CONTROLLED DOCUMENT. |  | DIN L. VARELA - DOCKS 02-18-05         |  | S. BOLASH 02-18-05 |  | M. WALMSLEY 02-18-05 |  | NAME |  | TE Connectivity               |  |
| DIMENSIONS: mm [INCHES]                |  | TOLERANCES UNLESS OTHERWISE SPECIFIED: |  | PRODUCT SPEC       |  | APPLICATION SPEC     |  | SIZE |  | RESTRICTED TO                 |  |
| 0 PLG ± -                              |  | 1 PLG ± 0.35[.014]                     |  | 108-1359           |  | 114-40049            |  | A1   |  | CUSTOMER DRAWING              |  |
| 1 PLG ± 0.25[.010]                     |  | 2 PLG ± 0.15[.006]                     |  | 108-1359           |  | 114-40049            |  | A1   |  | SCALE 1:1 SHEET 1 OF 1 REV B1 |  |
| 2 PLG ± 0.25[.010]                     |  | 3 PLG ± 0.15[.006]                     |  | 108-1359           |  | 114-40049            |  | A1   |  | SCALE 1:1 SHEET 1 OF 1 REV B1 |  |
| 3 PLG ± 0.15[.006]                     |  | 4 PLG ± -                              |  | 108-1359           |  | 114-40049            |  | A1   |  | SCALE 1:1 SHEET 1 OF 1 REV B1 |  |
| 4 PLG ± -                              |  | ANGLES ± -                             |  | 108-1359           |  | 114-40049            |  | A1   |  | SCALE 1:1 SHEET 1 OF 1 REV B1 |  |
| FINISH SEE TABLE                       |  | WEIGHT                                 |  | 108-1359           |  | 114-40049            |  | A1   |  | SCALE 1:1 SHEET 1 OF 1 REV B1 |  |